

5

4

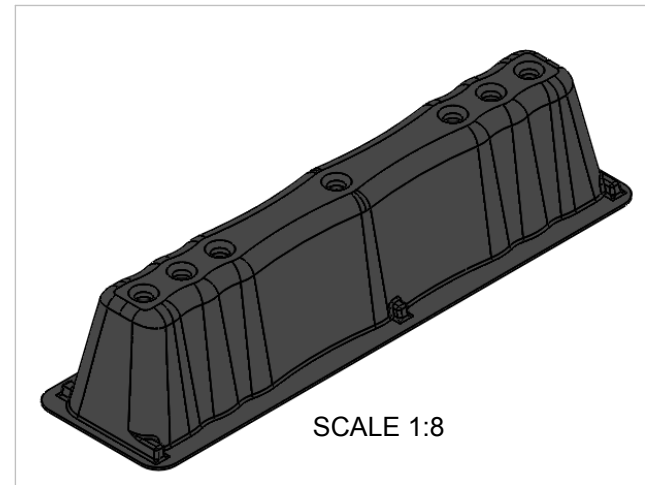
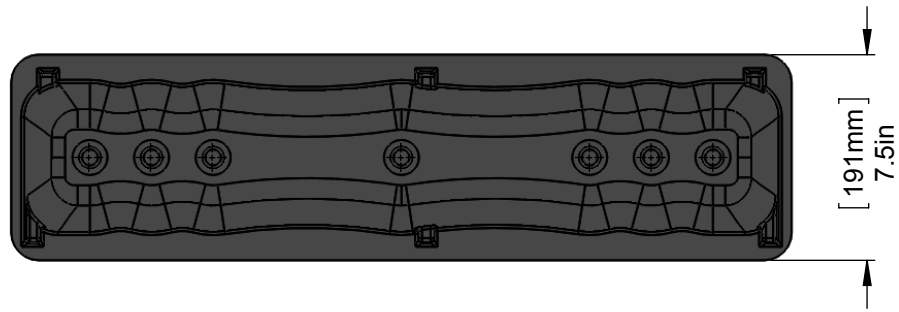
3

2

1

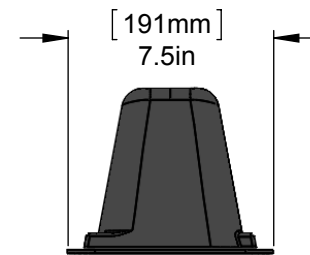
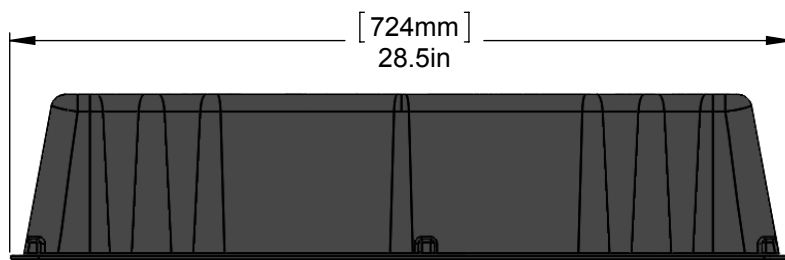
C

C



B

B



**NOTES:**

- Extreme Temperature Durability (-40°F to 260°F).
- High Tensile Strength.
- Crack/Split/Leak/Rust Resistant.
- Self Extinguishing.
- DexElar Material is UL-94 5VA
- Made With Pride in the USA

UNLESS OTHERWISE SPECIFIED:

DIMENSIONS ARE IN INCHES  
 TOLERANCES:  
 FRACTIONAL ±.032  
 ANGULAR: MACH ± .5° BEND ±2°  
 TWO PLACE DECIMAL ± .010  
 THREE PLACE DECIMAL ± .005

INTERPRET GEOMETRIC  
 TOLERANCING PER: ANSI Y14.5, 2009

ENGINEERING	NAME	DATE
DRAWN BY ENG.	DS	8/6/09
CHECKED BY ENG.	JK	8/6/09
ENG APPR.	CC	8/6/09
MFG APPR.	CC	8/6/09

**PROPRIETARY AND CONFIDENTIAL**

THE INFORMATION CONTAINED IN THIS DRAWING IS THE SOLE PROPERTY OF RESOURCE CONSERVATION TECHNOLOGIES, INC. ANY REPRODUCTION IN PART OR AS A WHOLE WITHOUT THE WRITTEN PERMISSION OF RESOURCE CONSERVATION TECHNOLOGIES IS PROHIBITED.

**RESOURCE**  
 CONSERVATION TECHNOLOGIES

64208 PARKLAND DRIVE SUITE 102  
 SARASOTA, FL 34243 888-708-6622

TITLE:

AG-GFR 28.5 x 6 SPECIFICATION SHEET

SIZE  
**A**

SCALE: 1:7

SHEET 1 OF 1

5

4

3

2

1

A