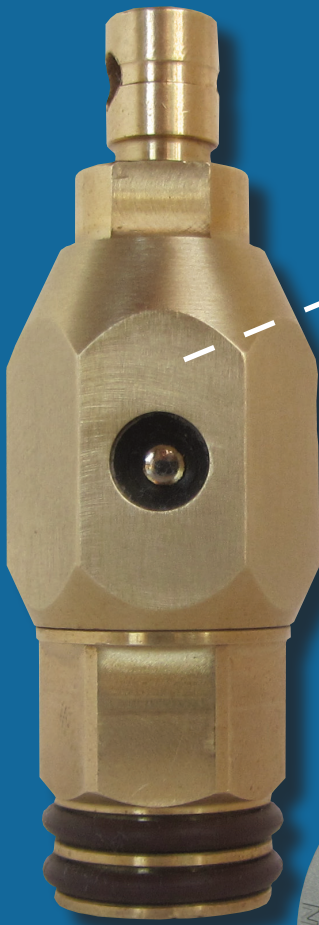


# QUARTER BALL

DROP THE DISC...GET ON THE BALL

## BALL VALVE FROSTPROOF SILLCOCK

- NO ceramic discs
- NO compression washers



### TRUE BALL VALVE ¼ TURN CONTROL

- Solid brass cartridge
- Chrome plated solid brass ball
- Custom valve seats tested to over 290,000 on/off cycles with no leaks
- Dual backflow protection: Spring-loaded check valve at the inlet, atmospheric vacuum breaker at the outlet



Ergonomic handle for left or right hand operation



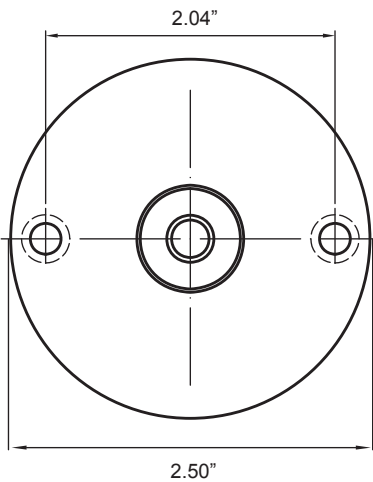
Enclosed screw holes with built-in drainage pitch

Fully Certified USA & Canada:

- CSA B125.1-11/ASME A112.18.1-2011
- cUPC/IAPMO
- ASSE 1019-A

Patented USA, Canada, & others

## BALL VALVE FROSTPROOF SILLCOCK



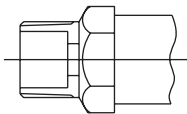
ITEM	DESCRIPTION	MAT'L	QTY
1	SCREW	BRASS	1
2	ADAPTER	BRASS	1
3	HANDLE	ABS	1
4	BODY ASSEM	BRASS CP	1
5	NUT	BRASS	1
6	PACKING	RUBBER	1
7	STEM HOLDER	BRASS	1
8	O-RING	RUBBER	1
9	STEM	BRASS	1
10	SET SCREW	STAINLESS	1
11	CLIP	STAINLESS	1
12	CARTRIDGE BODY	BRASS	1
13	O-RING	NBR	2
14	WASHER	NBR	2
15	STEM	BRASS	1
16	BALL	BRASS	1
17	CHECK VALVE	POM	1
18	PACKING NUT	BRASS	1
19	VB FLOAT	POM	1
20	PACKING NUT	BRASS	1
21	CARTRIDGE BASE	BRASS	1
22	O-RING	VITON	2
23	VB CAP	POM	1
24	VB BODY	POM	1
25	O-RING	NBR	1
26	VB SEAT	NBR	1
27	1" TUBE	BRASS	1
28	RUBBER CHECK	NBR	1

PART #	DESCRIPTION	LIST PRICE*
QB-108MC	Ball valve frostproof sillcock; anti-siphon; 8"; 1/2" mpt x 1/2" swt	\$54.65
QB-110MC	Ball valve frostproof sillcock; anti-siphon; 10"; 1/2" mpt x 1/2" swt	\$56.94
QB-112MC	Ball valve frostproof sillcock; anti-siphon; 12"; 1/2" mpt x 1/2" swt	\$59.11
QB-108MF	Ball valve frostproof sillcock; anti-siphon; 8"; 3/4" mpt x 1/2" fpt	\$56.72
QB-110MF	Ball valve frostproof sillcock; anti-siphon; 10"; 3/4" mpt x 1/2" fpt	\$58.38
QB-112MF	Ball valve frostproof sillcock; anti-siphon; 12"; 3/4" mpt x 1/2" fpt	\$61.63
QB-108PX5	Ball valve frostproof sillcock; anti-siphon; 8"; 1/2" PEX	\$54.65
QB-110PX5	Ball valve frostproof sillcock; anti-siphon; 10"; 1/2" PEX	\$56.94
QB-112PX5	Ball valve frostproof sillcock; anti-siphon; 12"; 1/2" PEX	\$59.11
QBC	Replacement ball valve cartridge	\$26.35
QBH-R	Replacement handle	\$ 5.75
QBS-R(x)	Replacement stem; x = length	\$ 4.45

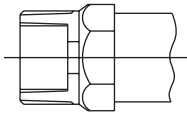
\* Effective Jan. 31, 2014. List Prices subject to change without notice.

Size:	8"	10"	12"
L:	8"	10"	12"
Wt.-lbs.	1.35	1.42	1.49

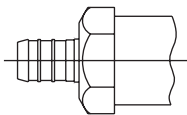
1/2" MPT  
X  
1/2" SWT



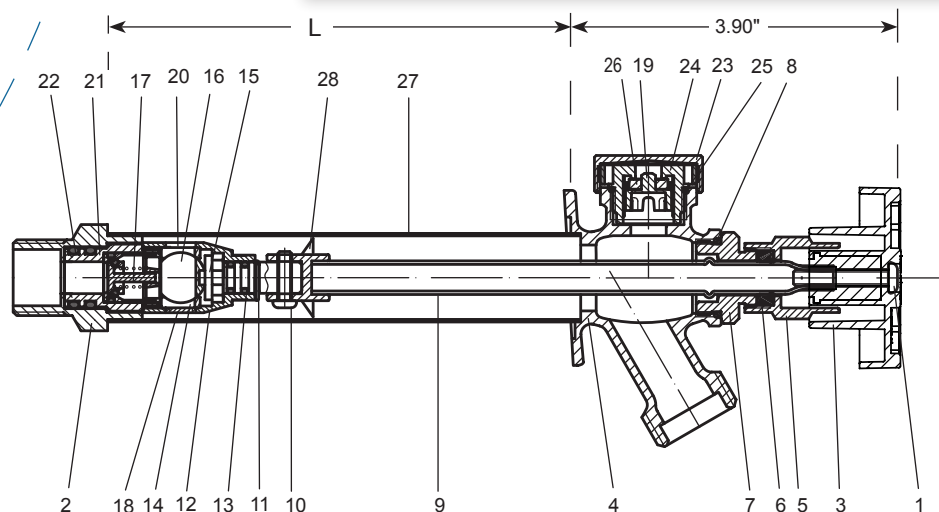
3/4" MPT  
X  
1/2" FPT



1/2" PEX



Standard 1 3/16" hole saw for installation.



Two year limited warranty | Contact us for wholesale discount schedule and freight terms