

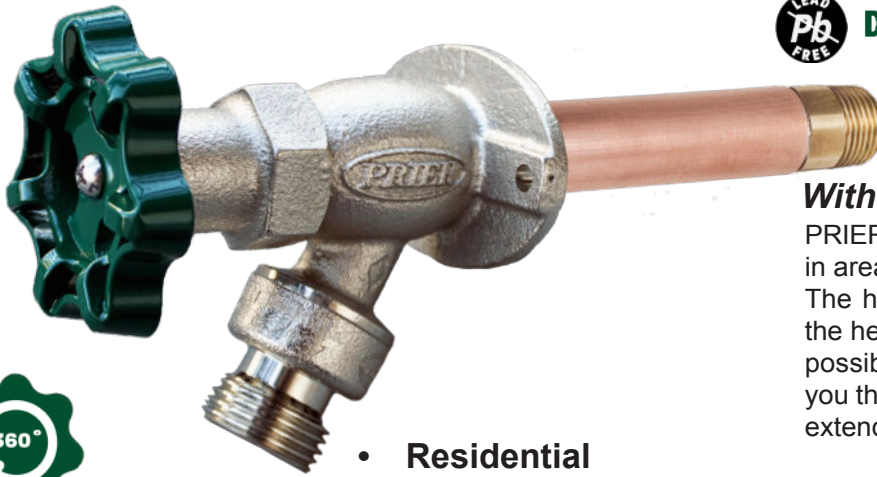


Build With Purpose

P-154/254-LF Series Freezeless Wall Hydrant



DIAMOND Series



P-254 Loose Key Design

- Residential
- Freezeless
- Anti-Siphon
- Backflow Check Valve

With Integral P-003 Vacuum Breaker

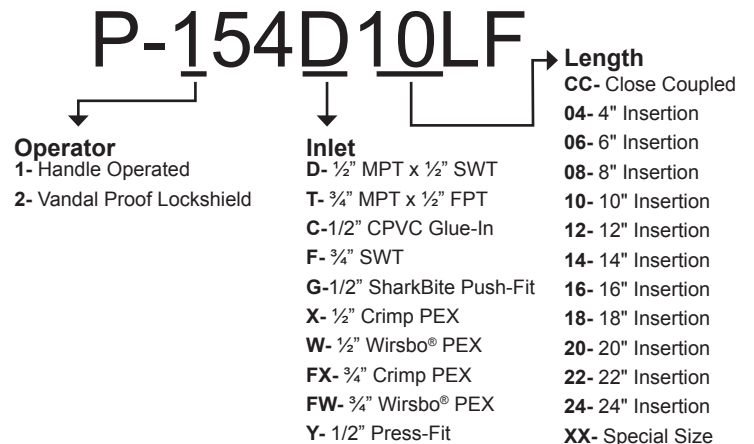
PRIER P-154 provides a year round source of water in areas that are subject to freezing temperatures. The hydrant is connected to the supply piping in the heated portion of the structure, eliminating the possibility of freezing. Ordering the P-254 gives you the same style hydrant but with a vandal proof extended lockshield and operating key.

The PRIER P-154 has all the characteristics of the historically proven C-134 with the added protection of a hose threaded anti-siphon vacuum breaker and backflow check valve. It is available from stock in lengths close coupled to 24", longer sizes are available on request.

FEATURES

- Body and seat composed of solid lead free brass (Pb ≤ 0.25%) for wetted surface area
- Anti-siphon aluminum vacuum breaker with EPDM backflow preventer and backflow check valve
- Wide and enclosed screw holes easily secure mounting screws
- Integral cast flange with built-in drainage pitch
- Solid brass body, valve stem cap, seat and stem ends
- Satin nickel plated body maintains attractive finish
- Stainless steel screws
- Powder coated cast aluminum handle
- AFG teflon with graphite packing for easy maintenance
- Standard "OO" size seat washer
- Each valve air-tested at factory for leak-free quality
- Spout aligning mark with manufacturer's date code
- Lead-Free NSF 372 listed & labeled

ORDERING



INLET STYLES



D Style
1/2" MPT x 1/2" SWT



T Style
3/4" MPT x 1/2" FPT



C Style
1/2" CPVC Glue-In



F Style
3/4" SWT



G Style
1/2" SharkBite Push-Fit



Y Style
1/2" Press-Fit



X Style
1/2" Crimp PEX



W Style
1/2" Wirsbo® PEX



FX Style
3/4" Crimp PEX



FW Style
3/4" Wirsbo® PEX

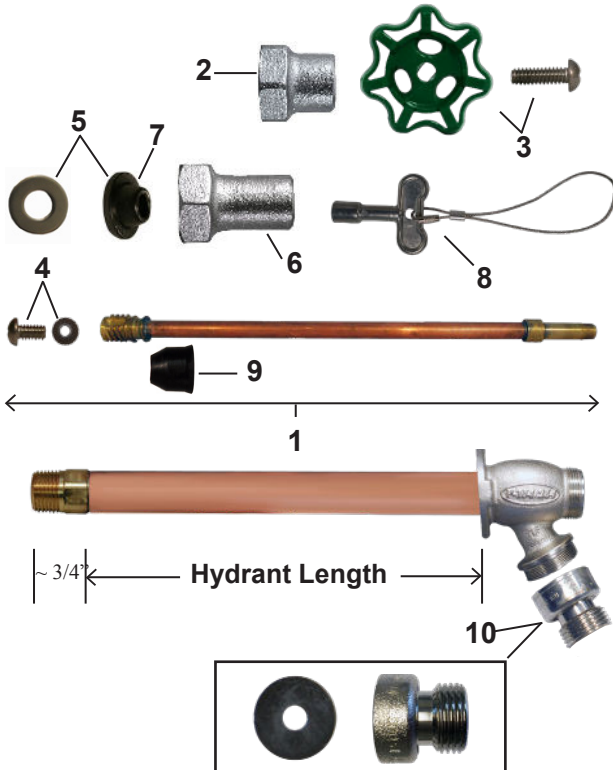
4515 E. 139th Street Grandview, MO 64030 | (800) 362-9055 | PRIER.com

*Per ASSE 1019 Code, do not leave on for more than 12 continuous hours.

P-154-F



P-154/254 REPLACEMENT PARTS



ID	Part No.	Description
1	See Replacement Stems Section	Stem Assembly, Contains: 1, 4, 9
2	300-1008	Valve Stem Cap
3	C-134KT-805	Handle and Screw Kit
4	C-134KT-802	Seat Washer Replacement Kit (00 Beveled)
5	C-134KT-803	Stem Packing Replacement Kit
6	310-1015	Valve Stem Cap for Loose Key
7	390-1001	Stem Packing Only
8	C-108KT-808	Key on Lanyard
9	336-0002	Backflow Preventer
10	P-154KT-806	Replacement Vacuum Breaker
	C-134KT-804	Handle to Loose Key Conversion Kit Contains: 5, 6, 8
	C-234KT-804	Loose Key to Handle Conversion Kit Contains: 2, 3, 5
	P-154KT-807	P-154 Overhaul Kit Contains: 3, 4, 5, 9

REPLACEMENT STEMS



G Style Manufactured April 2013 - Present

Part No.	Style	Stem Length	Description
P-231-11CC	G	4 ³ / ₈ " OAL	Close Coupled Stem for P-154 Hydrant
P-231-1104	G	6 ⁷ / ₈ " OAL	Stem for P-154 Hydrant
P-231-1106	G	8 ⁷ / ₈ " OAL	Stem for P-154 Hydrant
P-231-1108	G	10 ⁷ / ₈ " OAL	Stem for P-154 Hydrant
P-231-1110	G	12 ⁷ / ₈ " OAL	Stem for P-154 Hydrant
P-231-1112	G	14 ⁷ / ₈ " OAL	Stem for P-154 Hydrant
P-231-1114	G	16 ⁷ / ₈ " OAL	Stem for P-154 Hydrant
P-231-1116	G	18 ⁷ / ₈ " OAL	Stem for P-154 Hydrant
P-231-1118	G	20 ⁷ / ₈ " OAL	Stem for P-154 Hydrant
P-231-1120	G	22 ⁷ / ₈ " OAL	Stem for P-154 Hydrant
P-231-1122	G	24 ⁷ / ₈ " OAL	Stem for P-154 Hydrant
P-231-1124	G	26 ⁷ / ₈ " OAL	Stem for P-154 Hydrant
P-231-11US	G	Up to 16 ⁷ / ₈ " OAL	*Universal Replacement Stem for P-154 Hydrant

****PRIER universal stems are replacement stems for any size from close coupled to 14." The P-231-11US Universal Stem requires cutting the rod to proper length and soldering the brass stem end to the rod as directed in instructions.**