

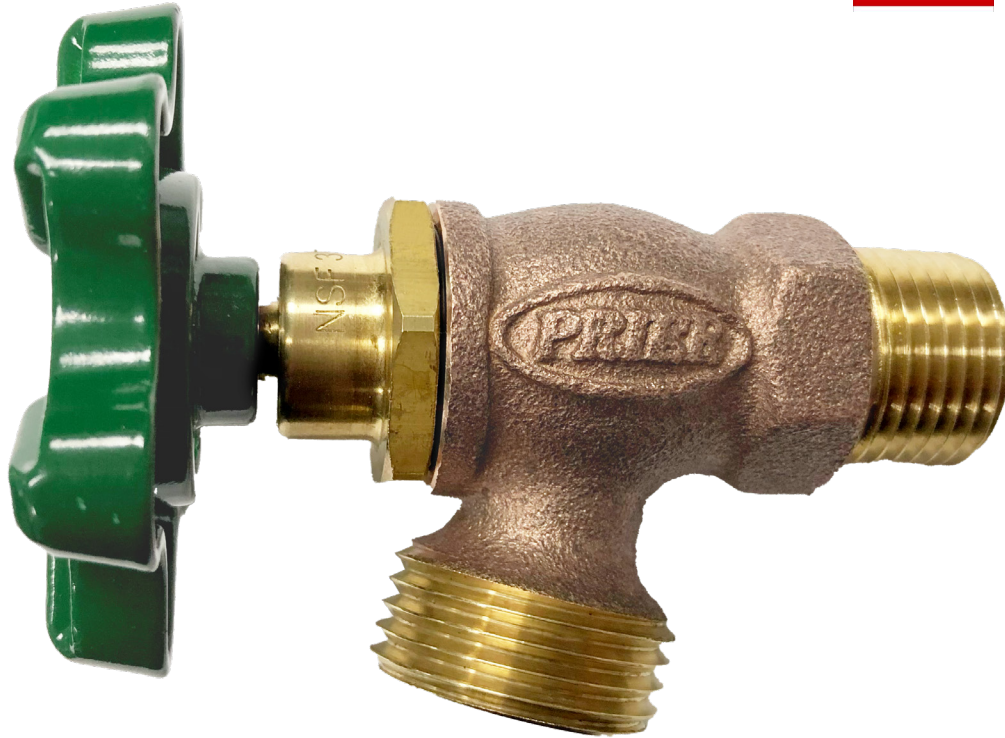


Build With Purpose

526-LF Series Boiler Drains



NSF 372



Lead Free 526 Series

FEATURES

- Made from lead free brass and certified to NSF 372
- Solid brass operating stem
- Large unobstructed waterways for greater flow rates
- Cast metal handle assembly with brass mounting screw
- Green standard handle with red or blue options
- EPDM seals for longer wear life
- FPT, MPT, and SWT inlet connections
- 3/4" garden hose connection outlet
- Solid brass fast-travel stem with ACME threads
- Each valve individually tested

ORDERING

526.40LF-B

Inlet

- 40- 1/2" FPT
- 42- 1/2" MPT x 1/2" SWT
- 43- 1/2" Compression
- 62- 3/4" MPT

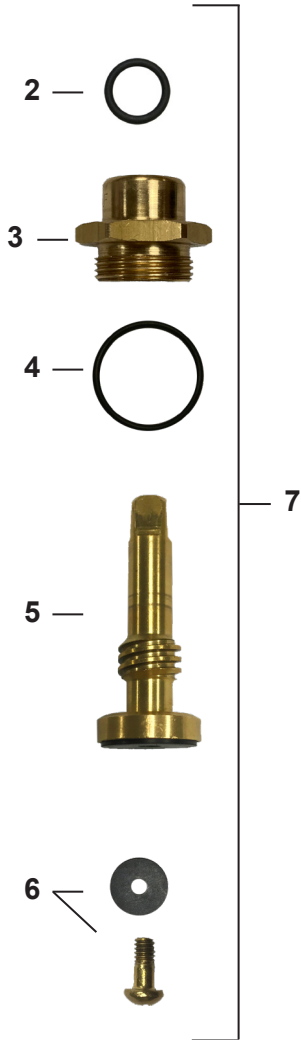
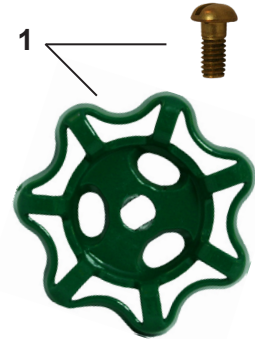
Handle Option

- None- Green
- B- Blue
- R- Red



Build With Purpose

526-LF SERIES REPLACEMENT PARTS



ID	Part No.	Description
1	630-0045	Handle and Screw Kit
2	336-0036	O-Ring
3	310-3117	Valve Stem Cap
4	936-3003	O-Ring
5	310-3019	Stem Body
6	630-0049	Bibb Washer and Screw Kit
7	231-3301	Stem Assembly Complete
	630-0050	Service Kit for Small Valves, Contains: 1, 2, 4, 6

