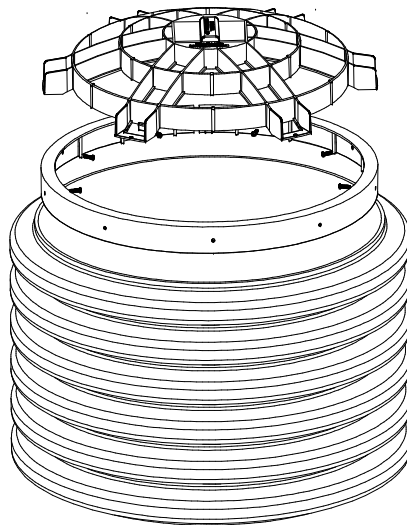
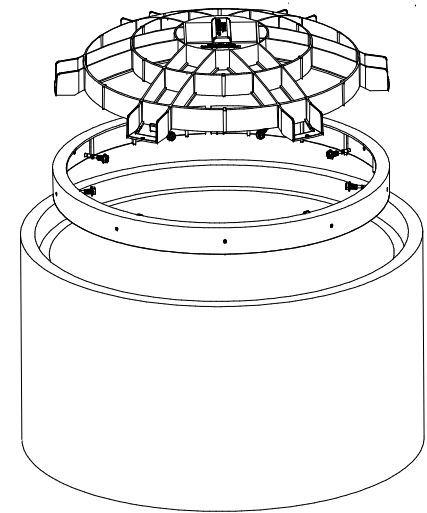


24" PVC RIBBED PIPE



24" HDPE CORRUGATED PIPE

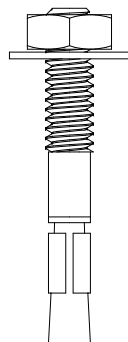


24" CONCRETE RISER

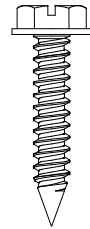
**INSTRUCTIONS FOR INSTALLING THE POLYLOK
24" SAFETY SCREEN FOR PIPE AND CONCRETE RISERS
PART NO. 3008-RSSPIPE**

1. FULLY COLLAPSE LEDGE RING BY RELEASING TAB ON RATCHET CATCH (AS IN FIGURE 1).
2. INSTALL LEDGE RING INTO PIPE OR RISER. MAKING SURE LEDGE FACES UP AND IS AT LEAST 7" BELOW TOP OF PIPE OR RISER.
3. EXPAND LEDGE RING TO PROVIDE A TIGHT FIT WITH THE ID OF PIPE OR RISER. INSTALLING IT AT LEAST 7" DOWN FROM THE TOP OF RISER OR PIPE AND EVEN AND LEVEL WITH THE TOP.
4. USING A POWER DRILL DRIVER WITH 5/16" HEX DRIVE BIT, SECURE LEDGE RING TO PIPE THRU HOLES IN LEDGE RING WITH 8 - #10 x 1" HEX HEAD SCREWS PROVIDED. BE CAREFUL TO KEEP LEDGE RING EVEN WITH THE TOP OF PIPE.
- 4A. FOR CONCRETE RISER INSTALLATION. USING SUPPLIED 1/4" MASONRY BIT REDRILL LEDGE RING AND CONTINUE TO DRILL 1" INTO CONCRETE RISER. INSTALL THE 9 SUPPLIED WEDGE ANCHORS. BE CAREFUL TO KEEP LEDGE RING EVEN WITH TOP OF THE RISER.
5. INSTALL THE SAFETY SCREEN USING 6 SUPPLIED #10 X 3/4" PHILLIPS PAN HEAD SCREWS.

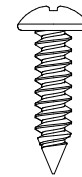
NOTE: ALL 6 SCREWS MUST BE USED TO SECURE SAFETY SCREEN TO LEDGE RING.



8 - 1/4" x 1 1/2"
WEDGE ANCHORS
(REQUIRED FOR
CONCRETE RISERS)



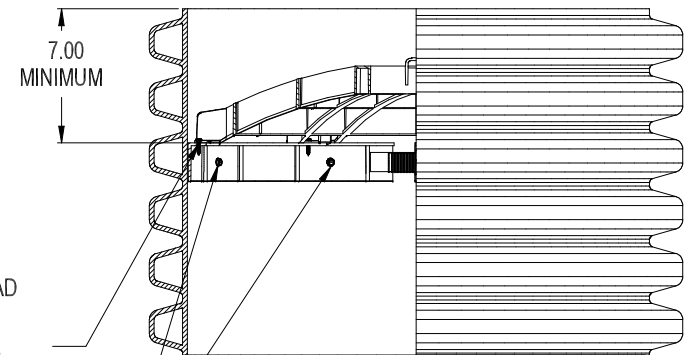
8 - #10 x 1"
HEX DRIVE



6 - #10 x 3/4"
PHILLIPS PAN HEAD

6 - #10 x 3/4" STAINLESS STEEL
PHILLIPS PAN HEAD SCREWS
USED TO FASTEN SAFETY SCREEN
TO LEDGE RING

8 - #10 x 1" STAINLESS STEEL
HEX DRIVE SCREWS
USED TO FASTEN LEDGE RING TO PIPE
(8 - 1/4" x 1 1/2" WEDGE ANCHORS
FOR CONCRETE RISERS)



SECTION A-A

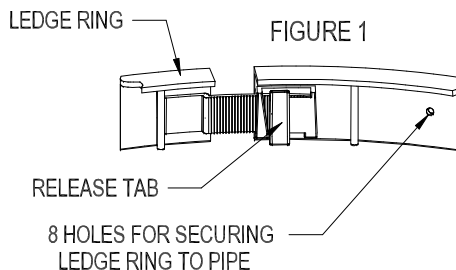


FIGURE 1

