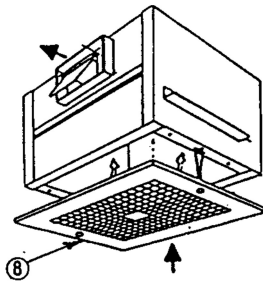


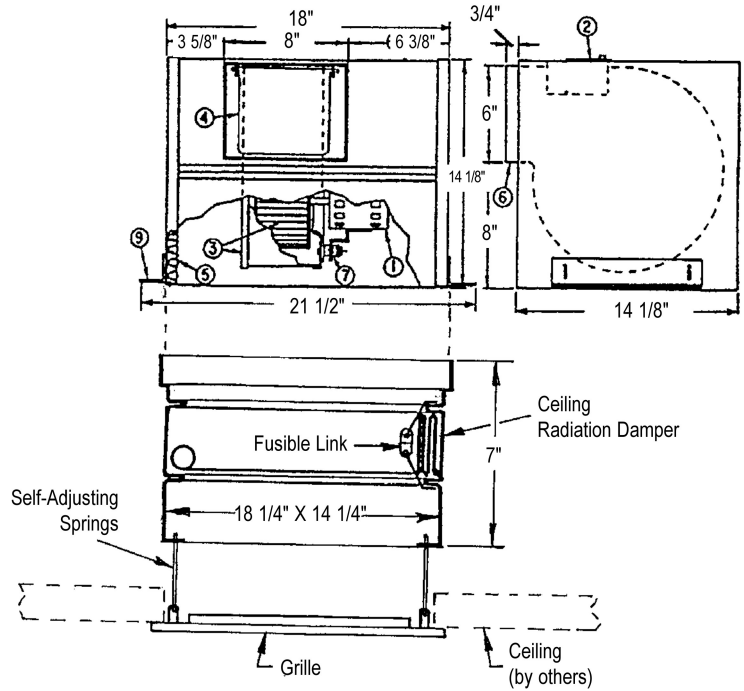
# Zephyr with Ceiling Radiation Damper Model Z10S/H

## Legend

1. Permanently Lubricated Motor
2. Accessible Terminal Box & Receptacle
3. Centrifugal Blower Wheel & Housing
4. Backdraft Damper
5. Acoustically Insulated Housing
6. Duct Sleeve
7. Anti-Vibration Grommets
8. Removable Decorator Deluxe Grille  
(85% Free Area) with Self-Adjusting Springs
9. Adjustable Mounting Flange



**'RA' (Standard)  
Ceiling Mounted**



**(Model CFD-20-DDA10) 18 1/4" X 14 1/4"**

**Note:** Zephyr and CFD-20-DDA10 Ceiling Radiation Dampers are shipped in separate cartons for joining through field installation.

## Optional Accessories

Speed Control & Time Delay Switch	Sloped Roof Cap Wall Cap	Flat Roof Cap	Brick Vent
Speed Control: Model LT50 Time Delay: Model AM12	<b>Model SL20</b>	<b>Model WCF08</b>	<b>Model B100</b>

**Material:** Galvanized Steel Housing

<p>1401 North Plano Road, Richardson, TX 75081                  Ph: 972.234.3202 Fax: 972.497.0468                  www.PennBarry.com</p>	<h2 style="margin: 0;">Submittal Sheet</h2> <h3 style="margin: 0;">Zephyr Ceiling Fan</h3> <h3 style="margin: 0;">Quiet In-Line Exhaust Fan</h3> <h3 style="margin: 0;">With Ceiling Radiation Damper</h3>
---	--

This drawing illustrates our understanding of order requirements. When approved, it represents details for fabrication, as such, PennBarry will not be responsible for revisions in the field or other changes after release for fabrication. Published and protected by PennBarry, Richardson, TX. All rights reserved. May not be reproduced partially or in full without permission from the publisher. No rights conveyed to manufacture partially or in full, use or sell either the method of construction represented or any invention in any way related thereto.