



PeerlessBoilers.com

Peerless® Series TCII™

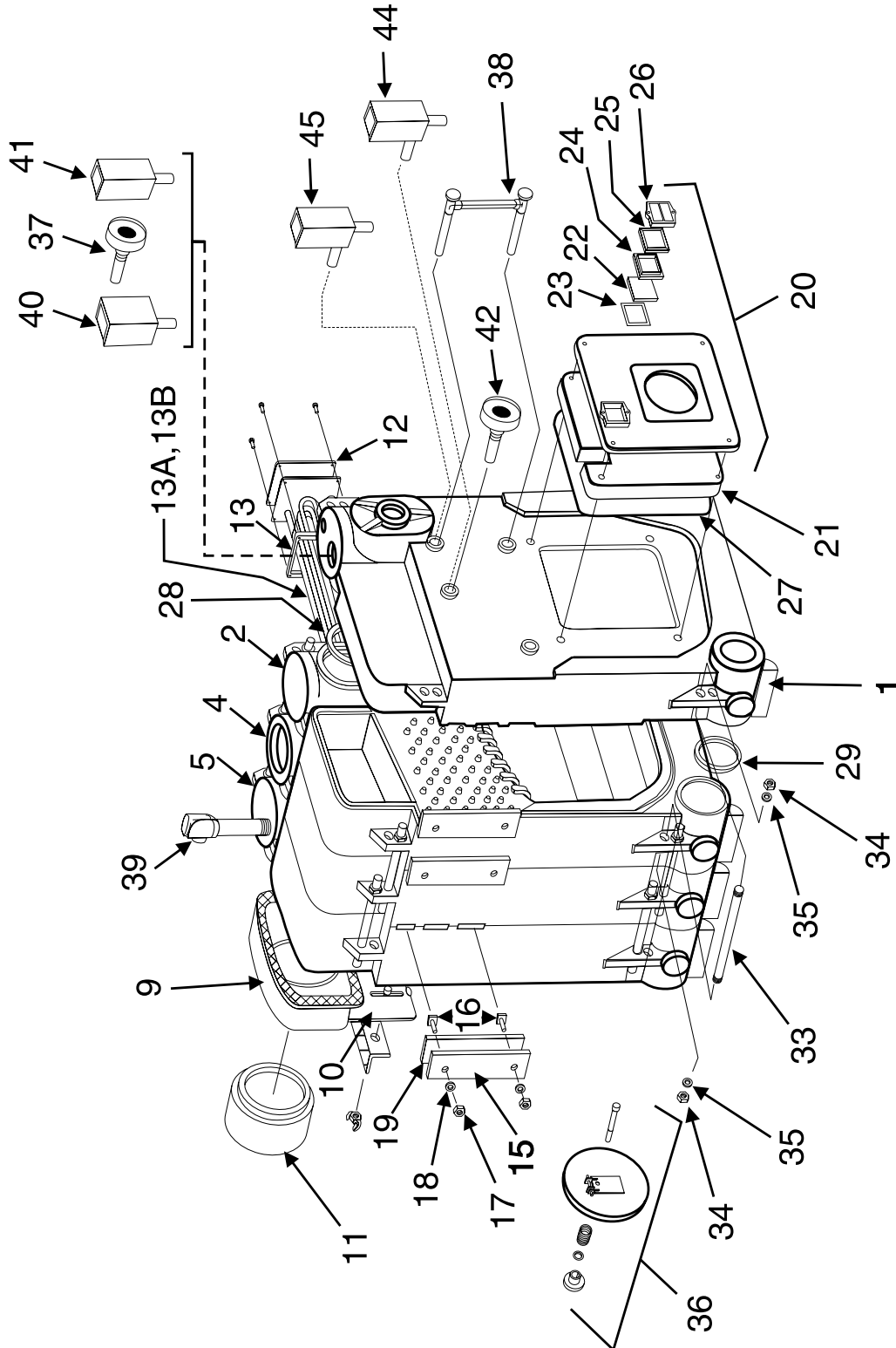
All repair parts orders - no minimum charges.

Please order with code number.

All prices quoted are in U.S. dollars.

All prices subject to change without notice.

All prices F.O.B. Bally, PA





PeerlessBoilers.com

Peerless® Series TCII™

All repair parts orders - no minimum charges.

Please order with code number.

All prices quoted are in U.S. dollars.

All prices subject to change without notice.

All prices F.O.B. Bally, PA

| | Description | Quantity Required | Stock Code |
|--|---|-------------------|------------|
| 1 | Front Section | 1 | 76014 |
| - | Intermediate Section | - | 76002 |
| 2 | Intermediate Section w/ Heater Connection | - | 76004 |
| 4 | Intermediate Section w/ Supply Connection | - | 76003 |
| 5 | Back Section | 1 | 76015 |
| Flue Collector Assembly includes: Flue Collector, Slide Damper and Angle Bracket | | | |
| 9 | Flue Collector Assembly (4-6 section) | 1 | 76060 |
| | Flue Collector Assembly (7-8 section) | 1 | 76061 |
| | Flue Collector Assembly (9-13 section) | 1 | 76062 |
| | Flue Collector Assembly (14-18 section) | 1 | 76063 |
| 10 | Slide Damper Only - OBSOLETE | - | N/A |
| 11 | 16" to 18" Increaser (17-18 section) | 1 | 76064 |
| 12 | Tankless Coil Cover Plate Assembly | - | 76075 |
| 13 | Tankless Coil Cover Plate Gasket | - | 74019 |
| 13A | Tankless Coil (8 GPM) | - | 76073 |
| Cleanout Cover Plate Assembly | | | |
| 15 | Cleanout Cover Plate Assembly w/ rope seal and hardware | - | 90777 |
| 16 | Cleanout Cover Plate Bolts | - | CF |
| 17 | Cleanout Cover Plate Nut | - | CF |
| 18 | Cleanout Cover Plate Washer | - | CF |
| Burner Mounting Plate Assembly – Must Order 20 to 27: Burner Mounting Plate, Observation Port Glass and Cover | | | |
| 20 | Burner Mounting Plate – 7-3/4" | - | 76028 |
| | Burner Mounting Plate – 8-1/2" | - | 76023 |
| | Burner Mounting Plate – 9" | - | 76027 |
| | Burner Mounting Plate – 10-1/4" (STD) | - | 76025 |
| | Burner Mounting Plate – 12-1/2" | - | 76022 |
| - | Burner Mounting Plate Hardware | 1 | 90712 |
| 21 | Burner Insulating Block | 1 | 76029 |
| - | Burner Insulating Block Hardware | 1 | 90717 |
| 22 | Observation Glass Only | 1 | 7648 |
| 23 | Observation Glass Gasket | 1 | 7650 |
| 24 | Observation Glass Gasket | 1 | 7649 |
| 25 | Observation Glass Retainer | 1 | 7651 |
| 26 | Observation Cover Plate | 1 | 7677 |
| 27 | Rope Seal (3/8" x 7' long) | 7 ft | 55521 |

| | Description | Quantity Required | Stock Code |
|--------------------------------|--|-------------------|------------|
| 28 & 29 | Graphite Port Connector A (Single set) | 1 | 7655 |
| | Graphite Port Connector A (3 sets) | 1 | 76053 |
| | Graphite Port Connector B (4 sets) | 1 | 76054 |
| | Graphite Port Connector C (5 sets) | 1 | 76055 |
| - | Rope Seal (1/2" x 12-1/2' long) Between Sections | 12.5 ft | 7964 |
| 33 | 5/8" x 11" Draw Rod | 4 | 7621 |
| 34 | 5/8" Hex Nuts | 8 | 51567 |
| 35 | 5/8" Washer | 8 | 7289 |
| - | Spray Adhesive | 1 | 55485 |
| 36 | Rear Observation Port Assembly | 1 | 7632 |
| Steam Trim and Controls | | | |
| 37 | 3-1/2" Steam Gauge w/ Internal Siphon | 1 | 51769 |
| 38 | 11" Gauge Glass Set | 1 | 50521 |
| 39 | 1-1/4" Safety Relief Valve 15 PSI (4-5 Section) | 1 | 50508 |
| | 1-1/2" Safety Relief Valve 15 PSI (6-7 Section) | 1 | 50509 |
| | 2" Safety Relief Valve 15 PSI (8-10 Section) | 1 | 50503 |
| | 2-1/2" Safety Relief Valve 15 PSI (11-13 Section) | 1 | 50504 |
| | 3" Safety Relief Valve 15 PSI (14-16 Section) | 1 | 50505 |
| - | 2-1/2" Safety Relief Valve 15 PSI (17-18 Section) | 1 | 50511 |
| 40 | PA404A Operating Control | 1 | 50549 |
| 41 | L404C Limit Control | 1 | 50681 |
| Water Trim and Controls | | | |
| 42 | Pressure/Temperature Gauge | 1 | 55737 |
| - | 3/4" – 30 PSI Water Relief Valve (4 Section) | 1 | 51300 |
| 39 | 1" – 30 PSI Water Relief Valve (4-6 Section) | 1 | 51301 |
| - | 1-1/4" – 30 PSI Water Relief Valve (7-10 Section) | 1 | 51302 |
| - | 1-1/2" – 30 PSI Water Relief Valve (11-14 Section) | 1 | 51303 |
| - | 1-1/2" – 40 PSI Water Relief Valve (15-18 Section) | 1 | 6899 |
| 44 | L4006A Operating Control | 1 | 51702 |
| 45 | L4006E Limit Control | 1 | 50570 |
| - | Balanced Temperature Return Cover Plate (Steam) | 1 | 76091 |
| Assembly Kit | | | |
| - | Assembly Kit A 4 Section | 1 | 76156 |
| - | Assembly Kit B 5 Section | 1 | 76157 |
| - | Assembly Kit C 6 Section | 1 | 76158 |



Peerless® Series TCII™

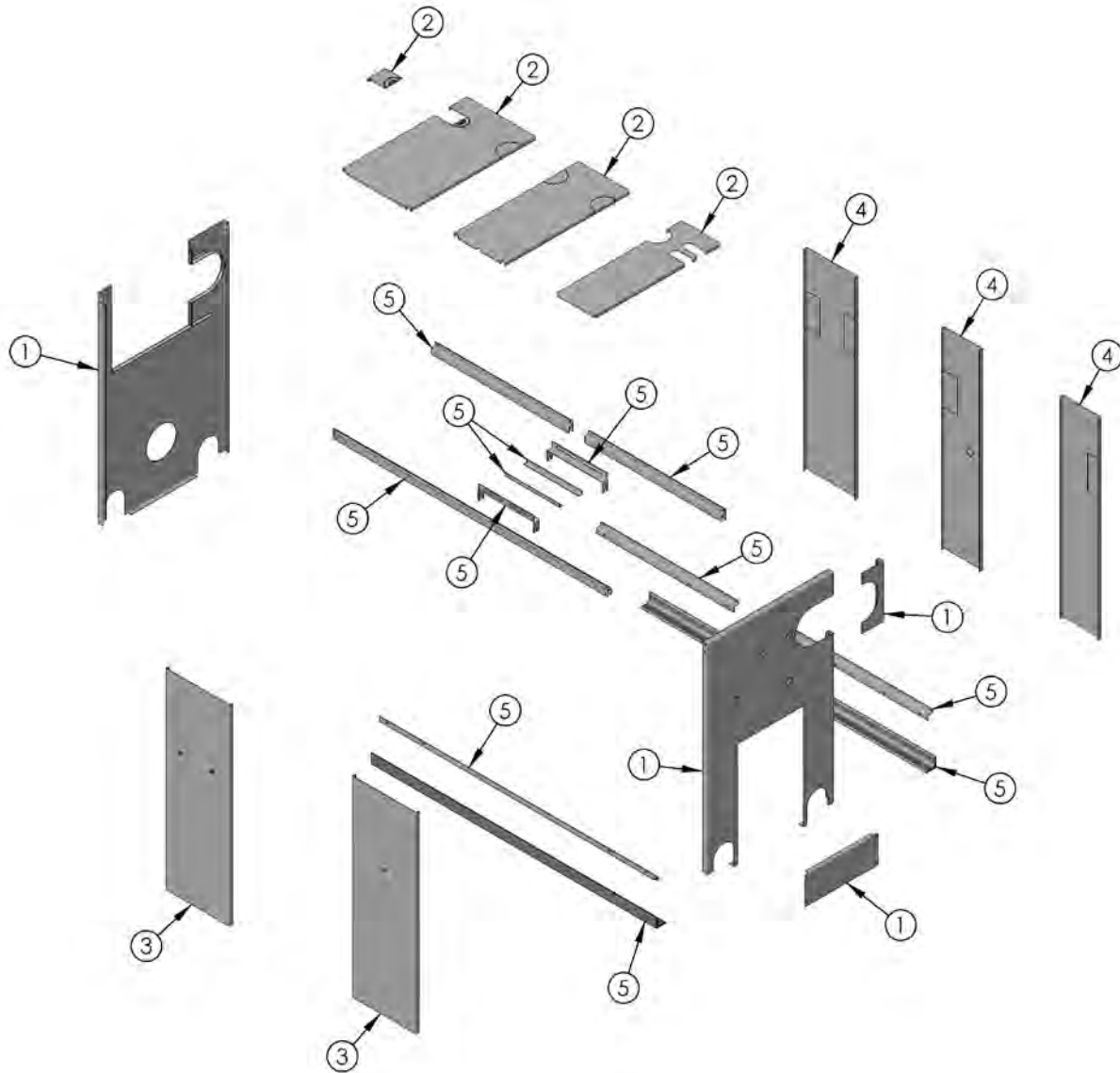
All repair parts orders - no minimum charges.

Please order with code number.

All prices quoted are in U.S. dollars.

All prices subject to change without notice.

All prices F.O.B. Bally, PA





PeerlessBoilers.com

Peerless® Series TCII™

All repair parts orders - no minimum charges.

Please order with code number.

All prices quoted are in U.S. dollars.

All prices subject to change without notice.

All prices F.O.B. Bally, PA

| | Description | Quantity Required | Stock Code |
|-------|---------------------------------|-------------------|------------|
| 1 | Front/Rear panel – All Sizes | – | 76100 |
| 2 | CTN Top Panels – TCII-04 | – | 76104 |
| 2 | CTN Top Panels – TCII-05 | – | 76105 |
| 2 | CTN Top Panels – TCII-06 | – | 76106 |
| 2 | CTN Top Panels – TCII-07 | – | 76107 |
| 2 | CTN Top Panels – TCII-08 | – | 76108 |
| 2 | CTN Top Panels – TCII-09 | – | 76109 |
| 2 | CTN Top Panels – TCII-10 | – | 76110 |
| 2 | CTN Top Panels – TCII-1 1 | – | 76111 |
| 2 | CTN Top Panels – TCII-12 | – | 76112 |
| 2 | CTN Top Panels – TCII-13 | – | 76113 |
| 2 | CTN Top Panels – TCII-14 | – | 76114 |
| 2 | CTN Top Panels – TCII-15 | – | 76115 |
| 2 | CTN Top Panels – TCII-16 | – | 76116 |
| 2 | CTN Top Panels – TCII-17 | – | 76117 |
| 2 | CTN Top Panels – TCII-18 | – | 76118 |
| 3 & 4 | Left/Right Panels – TCII-04 | – | 76119 |
| 3 & 4 | Left/Right Panels – TCII-05 | – | 76120 |
| 3 & 4 | Left/Right Panels – TCII-06 | – | 76121 |
| 3 & 4 | Left/Right Panels – TCII-07 | – | 76122 |
| 3 & 4 | Left/Right Panels – TCII-08 | – | 76123 |
| 3 & 4 | Left/Right Panels – TCII-09 | – | 76124 |
| 3 & 4 | Left/Right Panels – TCII-10 | – | 76125 |
| 3 & 4 | Left/Right Panels – TCII-11 | – | 76126 |
| 3 & 4 | Left/Right Panels – TCII-12 | – | 76127 |
| 3 | Left Side Panels – TCII-13 | – | 76128 |
| 3 | Left Side Panels – TCII-14 | – | 76129 |
| 3 | Left Side Panels – TCII-15 | – | 76130 |
| 3 | Left Side Panels – TCII-16 | – | 76131 |
| 3 | Left Side Panels – TCII-17 | – | 76132 |
| 3 | Left Side Panels – TCII-18 | – | 76133 |
| 4 | Right Side Panels – TCII-13 | – | 76134 |
| 4 | Right Side Panels – TCII-14 | – | 76135 |
| 4 | Right Side Panels – TCII-15 | – | 76136 |
| 4 | Right Side Panels – TCII-16 | – | 76137 |
| 4 | Right Side Panels – TCII-17 | – | 76138 |
| 4 | Right Side Panels – TCII-18 | – | 76139 |
| 5 | Jacket Channel Rails – TCII-04 | – | 76164 |
| 5 | Jacket Channel Rails – TCII-05 | – | 76165 |
| 5 | Jacket Channel Rails – TCII-06 | – | 76166 |
| 5 | Jacket Channel Rails – TCII-07 | – | 76167 |
| 5 | Jacket Channel Rails – TCII-08 | – | 76168 |
| 5 | Jacket Channel Rails – TCII-09 | – | 76169 |
| 5 | Jacket Channel Rails – TCII-10 | – | 76170 |
| 5 | Jacket Channel Rails – TCII-1 1 | – | 76171 |
| 5 | Jacket Channel Rails – TCII-12 | – | 76172 |
| 5 | Jacket Channel Rails – TCII-13 | – | 76173 |
| 5 | Jacket Channel Rails – TCII-14 | – | 76174 |
| 5 | Jacket Channel Rails – TCII-15 | – | 76175 |
| 5 | Jacket Channel Rails – TCII-16 | – | 76176 |
| 5 | Jacket Channel Rails – TCII-17 | – | 76177 |
| 5 | Jacket Channel Rails – TCII-18 | – | 76178 |