



PeerlessBoilers.com

Peerless® Series SC™

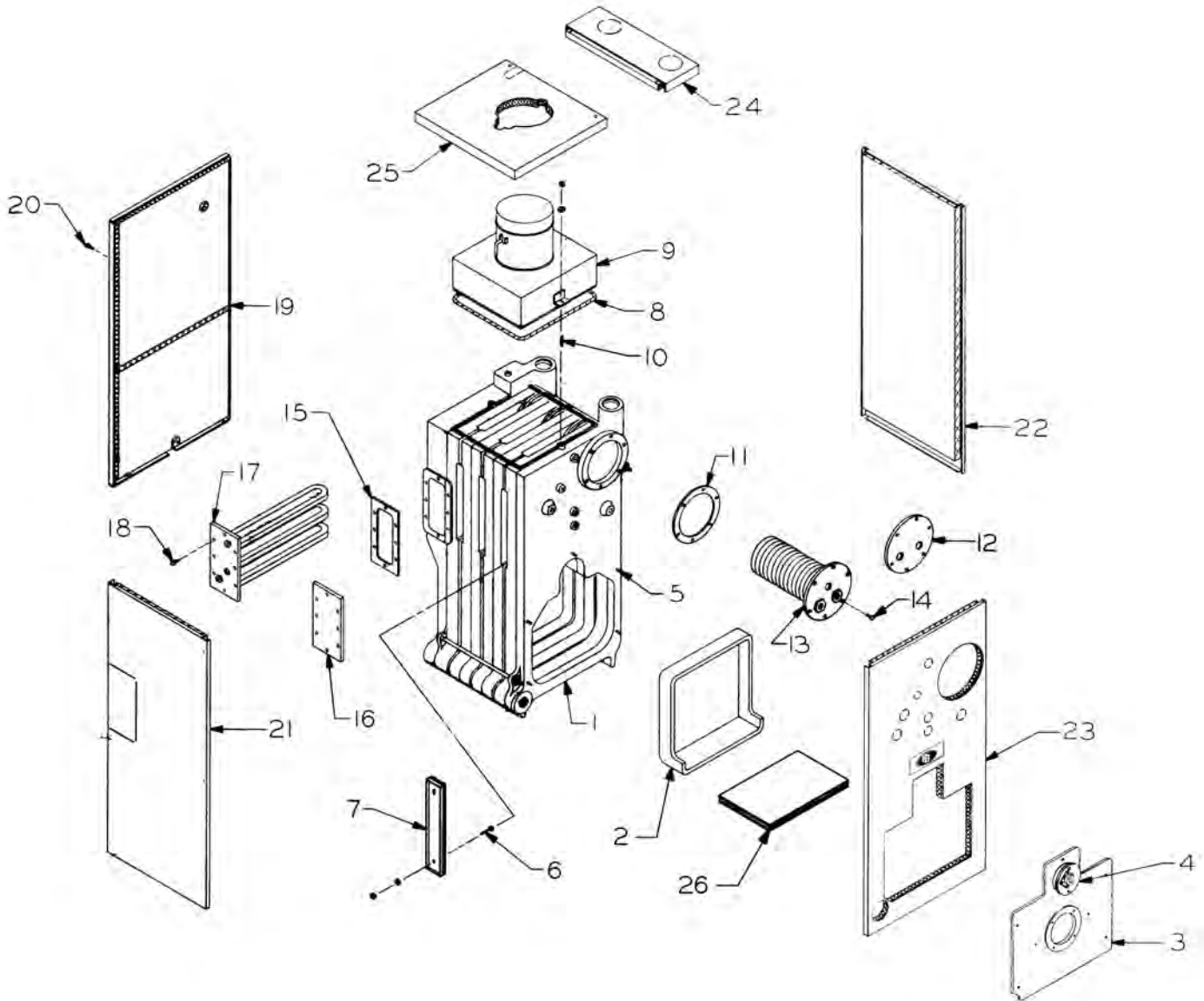
All repair parts orders - no minimum charges.

Please order with code number.

All prices quoted are in U.S. dollars.

All prices subject to change without notice.

All prices F.O.B. Bally, PA





PeerlessBoilers.com

Peerless® Series SC™

All repair parts orders - no minimum charges.

Please order with code number.

All prices quoted are in U.S. dollars.

All prices subject to change without notice.

All prices F.O.B. Bally, PA

| | Description | Quantity Required | Stock Code |
|--|--|-------------------|------------|
| 1 | Block Asmby SC/SC-05 Models X-1099 | 1 | 90239 |
| | Block Asmby SC/SC-06 Models X-1100 | 1 | 90758 |
| | Block Asmby SC(T)/SC(T)-05 Models X-1 099 | 1 | 90242 |
| | Block Asmby SC(T)/SC(T)-06 Models X-1 100 | 1 | 90755 |
| | Front Split Block Asmby SC/SC models -1 018 | - | 90677 |
| | Front Split Block Asmby SC/SC models-1018-1 | - | 90678 |
| | Back Split Block Asmby SC/SC models-1 019 | - | 90679 |
| | Back Split Block Asmby SC/SC models-1 01 9-1 | - | 90680 |
| | Back Split Block Asmby SC/SC models-1 019-2 | - | 90673 |
| | Back Split Block Asmby SC(T)/SC(T) Models SC-1 02 | - | 90681 |
| | Back Split Block Asmby SC(T)/SC(T) SC-1 021-1 | - | 90682 |
| Back Split Block Asmby SC(T)/SC(T) Models SC-1021- | - | 90683 | |
| N/S | Front Section w/ 2-1/2" Tap | 1 | 90007 |
| N/S | Front Section w/ 2" Tap | 1 | 90006 |
| N/S | Standard Intermediate Section | - | 90000 |
| N/S | Tapped Intermediate Section | - | 90047 |
| N/S | Tapped Interm. Section w/ LWCO Tap | - | 90002 |
| N/S | Standard Back Section w/ 2-1/2" Tap | - | 90016 |
| N/S | Standard Back Section w/ 2" Tap | - | 90015 |
| N/S | Tan kless Back Section w/ 2-1/2" Tap | 1 | 90039 |
| N/S | Tan kless Back Section w/ 2" Tap | 1 | 90038 |
| N/S | Large Push Nipple 1/Section #64 | 1 | 51546 |
| N/S | Small Push Nipple 1/Section #12 | 1 | 51543 |
| N/S | Draw Up Washer (large) | 2 | 51163 |
| N/S | Draw Up Washer (small) | 2 | 51165 |
| N/S | Draw Up Clamp Body | 2 | 51146 |
| N/S | Draw Up Clamp Jaw | 2 | 51148 |
| 2 | Target Wall X-3019 | 1 | 50768 |
| 3 | 4-11/16", Burner Mtg Plate, Beckett, Carlin | 1 | 90605 |
| | 6-1/2", Burner Mtg Plate, Carlin Gas | 1 | 90526 |
| | 6-1/2", Burner Mtg Plate, Midco RE650/ LNB | 1 | 90898 |
| | 6-1/2", Burner Mtg Plate, PF JR15A & JR30A | 1 | 90604 |
| | 7 1/2", Burner Mtg Plate, PF C1, Webster JB1 | 1 | 90243 |
| N/S | Combustion Chamber Plate Insulation | 1 | 50765 |
| N/S | Insulation Hardware required for Combustion Chamber Cover & Insul. | 1 | 95016 |
| 4 | Flame Observation Assembly | 1 | 90754 |
| 5 | 5-16" - 18 x 2-1/4" Stud, (Local Hdw Supply) | 4 | 51747 |
| 6 | 5/16"-18 x 1-3/4" Carriage Bolt w/Nut | 2 | - |
| 7 | Side Cleanout Cover Plate, (1) per joint | 1 | 51772 |
| 7a | Clean Out Insulation Board, 1/2 X 2-3/8 X 14", (1) per Plate | 1 | 50800 |
| 8 | Flue Seal, High Temp. Rope 1/2" Diameter ** Price Per Foot ** | 7. ft | 51211 |
| 9 | Flue Collector and Damper Asmby -05 model | 1 | 90241 |
| | Flue Collector and Damper Asmby -06 model | 1 | 99540 |
| | Flue Collector and Damper Asmby -07 model | 1 | 99541 |
| | Flue Collector and Damper Asmby -08 model | 1 | 99542 |
| | Flue Collector and Damper Asmby -09 model | 1 | 99543 |
| | Flue Collector and Damper Asmby -10 model | 1 | 99544 |
| 9a | 7" Damper Assembly | 1 | - |
| 9a | 9" Damper Assembly | 1 | - |

| | Description | Quantity Required | Stock Code |
|---|---|-------------------|------------|
| 9a | 10" Damper Assembly | 1 | - |
| 10 | 3/8"-16 x 2-1/4" Stud with Nuts & Washer, (Local Hdw Supply) | 2 | 51751 |
| 11 | Rubber Gasket (Round) | 1 | 51800 |
| 12 | Cover Plate (Round) | 1 | 91477 |
| 13 | Tankless Coil (Opt. Water Only) 3 to 8.0 GPM X1020 | 1 | 90534 |
| | Tankless Coil (Opt. Water Only) 6.5 to 20.0 GPM X1022 | 1 | 90539 |
| 14 | 3/8"-16 x 3/4" Hex Hd. Cap, (Local Hdw Supply) | 6 | 99788 |
| 15 | Rubber Gasket (SCT Models Rectangular) | 1 | 90547 |
| 16 | Cover Plate Kit (SCT Models Rectangular) | 1 | 90140 |
| 17 | Tankless Heater (Optional SC(T)/-e Models) Rectangular, X1082 | 1 | 90546 |
| 18 | 3/8"-16 x 3/4" Hex Hd. Cap, (Local Hdw Supply) | 8 | 99788 |
| 26 | Ceramic Blanket Liner -14"x14x18" | 1 | 50846 |
| 19 | Back Jacket Panel (for reference only) | - | - |
| 20 | 1/4"-20 x 3/8" Mach. Screws | - | - |
| 21 | Left Side Jacket Panel (for reference only) | - | - |
| 22 | Right Side Jacket Panel (for reference only) | - | - |
| 23 | Front Jacket Panel (for reference only) | - | - |
| 24 | Right Top Jacket Panel (for reference only) | - | - |
| 25 | Right Left Jacket Panel (for reference only) | - | - |
| *Complete Assembly Jackets | | | |
| - | SC/SC(T)-05 | 1 | 90240 |
| - | SC/SC(T)-06 | 1 | 90306 |
| - | SC/SC(T)-07 | 1 | 90307 |
| - | SC/SC(T)-08 | 1 | 90308 |
| - | SC/SC(T)-09 | 1 | 90309 |
| - | SC/SC(T)-10 | 1 | 90310 |
| Assembly Kit - Box 6 | | | |
| - | -07 thru -10 models | - | 94043 |
| Draw Rods - (3 per set) | | | |
| - | -07 models | 2 | 90718 |
| - | -08 models | 2 | 90719 |
| - | -09 models | 2 | 90720 |
| - | -10 models | 2 | 90721 |
| Trim - Water, SC/SC(T) models only | | | |
| - | SC/SC(T)-05 thru SC/SC(T)-07 | 1 | 94046 |
| - | SC/SC(T)-08 thru SC/SC(T)-10 | 1 | 94047 |
| Trim - Steam | | | |
| - | -05/-06 models | 1 | 94049 |
| - | -07 models | 1 | 94050 |
| - | -08 thru -10 models | 1 | 94051 |
| Controls | | | |
| - | SC/SC(T)-05 thru SC/SC(T)-10 - Water | 1 | 90675 |
| - | -05 thru -10 models - Steam Standard | 1 | 90845 |
| - | -05 thru -10 models - Steam Optional | 1 | 90388 |