



PeerlessBoilers.com

Peerless® PFW™ Series

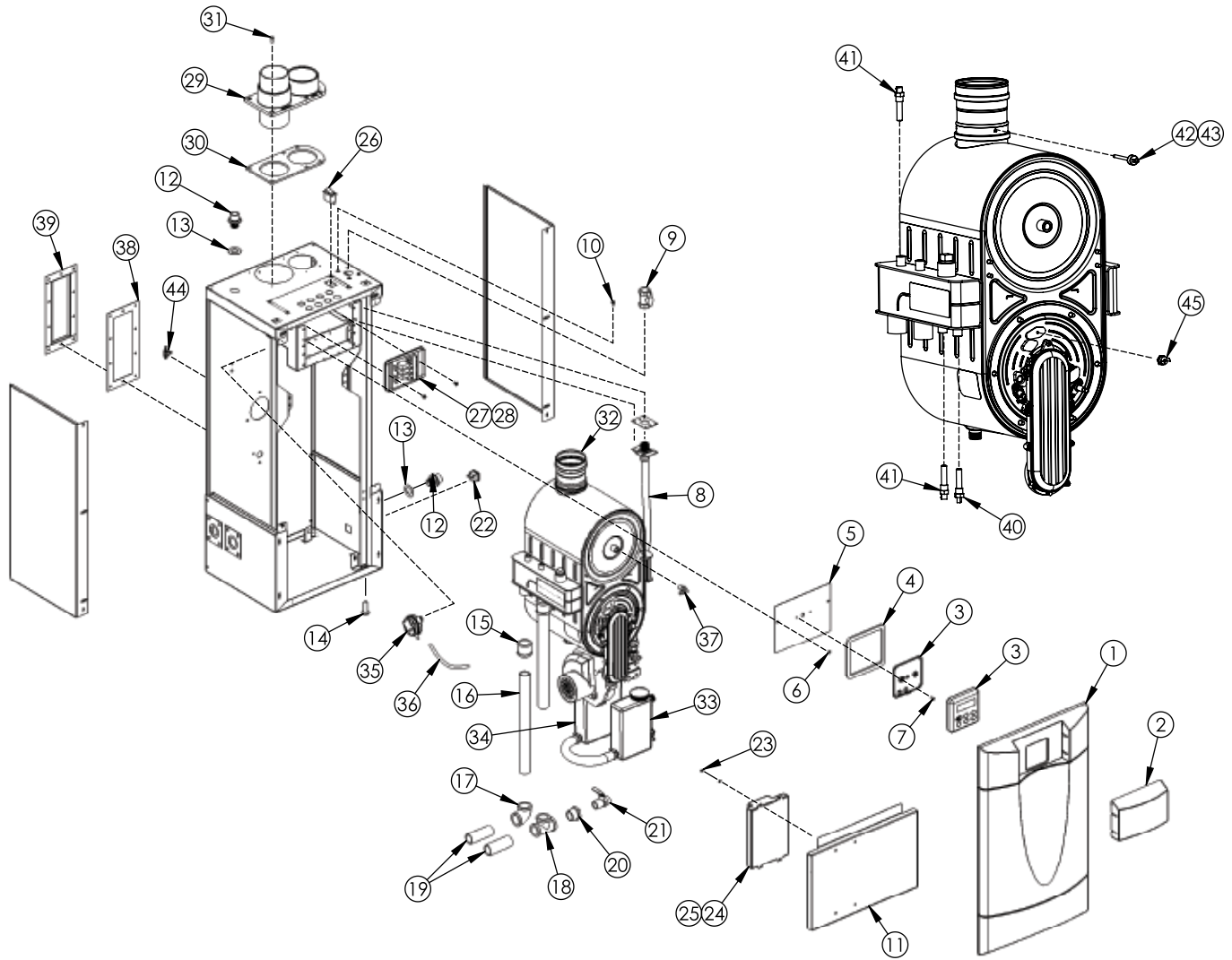
All repair parts orders - no minimum charges.

Please order with code number.

All prices quoted are in U.S. dollars.

All prices subject to change without notice.

All prices F.O.B. Bally, PA





PeerlessBoilers.com

Peerless® PFW™ Series

All repair parts orders - no minimum charges.

Please order with code number.

All prices quoted are in U.S. dollars.

All prices subject to change without notice.

All prices F.O.B. Bally, PA

	Description	Quantity Required	Stock Code
1	Panel, Jacket Front Door, with Ball Studs	1	54256
2	Lens for Jacket Front Door	1	-
3	Display Module, 852RC 4 Wire, PFW200, See kit item 24	1	54646
3	Display Module, 852RC 4 Wire, PFW300, See kit item 24	1	54646
4	Gasket for Display Bracket	1	54513
5	Bracket for Display Module	1	PF2007-1
6	Hex Nut, #6-32 with Lock washer, (Local Hdwr Supply)	2	-
7	Screw, #6-32 x 1/2" LG Phillips Head, (Local Hdwr Supply)	2	-
8	Flexible Gas Line - 3/4" - PF-210 Low Pressure Kit	1	54497
	Flexible Gas Line - 3/4" - PF-399	1	54262
N/L	Gasket for Gas Line	1	-
9	Manual Shut-off Valve, 3/4" NPT, Full Port	1	54142
10	Screw, #10 x 1/2" LG Hex. Hd., (Local Hdwr Supply)	1	51805
11	Jacket, Lower Front Panel	2	-
12	Bulk Head Fitting for Condensate Hose	1	54140
N/L	Jacket Side Panel - PF-210	1	54244
	Jacket Side Panel - PF-399	1	54245
13	Gasket for Bulk Head Fitting	1	54134
14	Leg Leveler	4	5429
15	Coupling, 1" NPT Brass, (Local Hdwr Supply) - PF-200-210	2	5534
	Coupling, 1-1/2" NPT Brass, (Local Hdwr Supply) - PF-300-399	2	5551
16	Nipple, 1" NPT x 14" LG Brass, (Local Hdwr Supply) - PF-200-210	2	5557
	Nipple, 1-1/2" NPT x 14" LG Brass, (Local Hdwr Supply) - PF-300-399	2	5550
17	Elbow, 1" NPT Brass, (Local Hdwr Supply) - PF-200-210	1	5558
	Elbow, 1-1/2" NPT Brass, (Local Hdwr Supply) - PF-300-399	1	5553
18	Tee, 1" NPT Brass, (Local Hdwr Supply) - PF-200-210	1	5537
	Tee, 1-1/2" NPT Brass, (Local Hdwr Supply) - PF-300-399	1	5554
19	Nipple, 1" NPT x 3" Brass, (Local Hdwr Supply) - PF-200-210	2	5559
	Nipple, 1-1/2" NPT x 3" Brass, (Local Hdwr Supply) - PF-300-399	2	5552
20	Reducing Bushing, 1" x 3/4" NPT Brass, (Local Hdwr Supply) - PF-200-210	1	-
	Reducing Bushing, 1-1/2" x 3/4" NPT Brass, (Local Hdwr Supply) - PF-300-399	1	-
21	Shut-off Valve, 3/4" NPT Brass, (Local Hdwr Supply)	1	50764
N/L	Nipple, 3/4" NPT x 16" LG Brass, Replaced by 3/4 plug (BRS)	1	-
22	Convenience Outlet, (Local Hdwr Supply)	1	-
23	Hex. Nut, #8-32 with Lockwasher, (Local Hdwr Supply)	4	-
24	Display Module & Control Module Kit, 852MN - PF-200	1	54713
	Display Module & Control Module Kit, 852MN - PF-300	1	54715
25	3.15A. 250V 5x20mm Slow-Blow Glass Fuse, (Local Hdwr Supply)	1	-
26	Rocker Switch (20A., 120 VAC, (Local Hdwr Supply)	1	5701

	Description	Quantity Required	Stock Code
28	Relay RIBMU1C, Obsolete	1	54549
	Pump Isolation Relay Module, RIBMU2C Obsolete	1	-
	Pump Isolation Relay Module, Obsolete	1	-
	Pump Isolation Relay Module Kit, Includes harness	1	54610
N/S	10-Amp 125V 5x20mm Slow Blow Fuse, (Local Hdwr Supply)	4	-
29	Vent / Air Stub Adapter, 3" - PF-210	1	54293
	Vent / Air Stub Adapter, 4" - PF-399	1	54294
30	Gasket, Vent Adapter, 3" - PF-50/210	1	54133
	Gasket, Vent Adapter, 4" - PF-399	1	54217
31	Screw, #10 x 3/4" LG Phillips Pan Hd. Type A Zinc, (Local Hdwr Supply)	6	5611
32	Heat Exchanger Outlet Collar, 3" - PF-210	1	5531
	Heat Exchanger Outlet Collar, 4" - PF-399	1	5532
33	Condensate Neutralizer Assembly	1	54204
34	Condensate Receiver Assembly	1	54259
35	Blocked Vent Switch Kit includes items 36 & 37	1	54260
36	1/4" ID Tubing x 12" Long, (Local Hdwr Supply)	1	5697
37	90° Barbed Elbow Polyethylene Adapter Fitting, 1/4 NPT X 1/4 Barb	1	5698
38	Gasket for Thermal Temperature	1	5698
39	Cover Plate for Thermal Temperature Limit	1	5532
40	Hi Limit Switch Tasseron TSDS950	1	54419
41	Supply/Return Sensor, 12kOhm Tasseron TSD00BS	2	54418
42	Grommet for Flue Sensor	1	54291
43	Flue Sensor, 12kOhm Tasseron TSDZ0B0	1	54209
44	Thermal Temperature Limit, 605 F	1	54475
N/S	Wiring Harness, Power (Right Terminal Block)	1	PF7022
N/S	Wiring Harness, Power (Right Terminal Block) used w/ 4 pole relay	1	54629
N/S	Wiring Harness, Control (Left Terminal Block)	1	PF7021
N/S	Wiring Harness, Gas Valve & Flame Sensor	1	PF7023
N/S	Wiring Harness, Ground Wire	1	PF7024
N/S	Push-on Terminal Block (Field Wiring) 10-pole	2	5450
N/S	Push-on Terminal Block (Field Wiring) 6-pole	2	5547
N/S	125 PSI Relief Valve Standard, (Local Hdwr Supply)	1	54274
N/S	Harness PF210/399 Split Sensor / Limit Adapter	1	54421
N/S	DHW Sensor, Optional (PP Partner) 12kOhm Tasseron TSK1 0BH	1	54157
N/S	System Sensor, 12kOhm Tasseron TSA00BC	1	54156
Optional items			
N/S	PFA-1 Interface Board Kit Consisting of:	1	54271
N/S	Adapter Interface Board PFA-1 ARGUS 852IF-3R-0	1	54270
N/S	Low Voltage Stub Harness	1	PF7027
N/S	Line Voltage Stub Harness	1	PF7028
N/S	Analog Input Stub Harness (Rev 0 & 1) Obs 4/10	1	PF7031
N/S	ModBus Stub Harness	1	PF7030
Miscellaneous			
N/S	4" 304 Stainless Steel Vent Screen	2	54213
N/S	0-200PSI/70-320°F 2-1/2 Round Gauge, Howe	1	54275
N/S	Stand (PureFire)	1	91400



PeerlessBoilers.com

Peerless® PFW™ Series

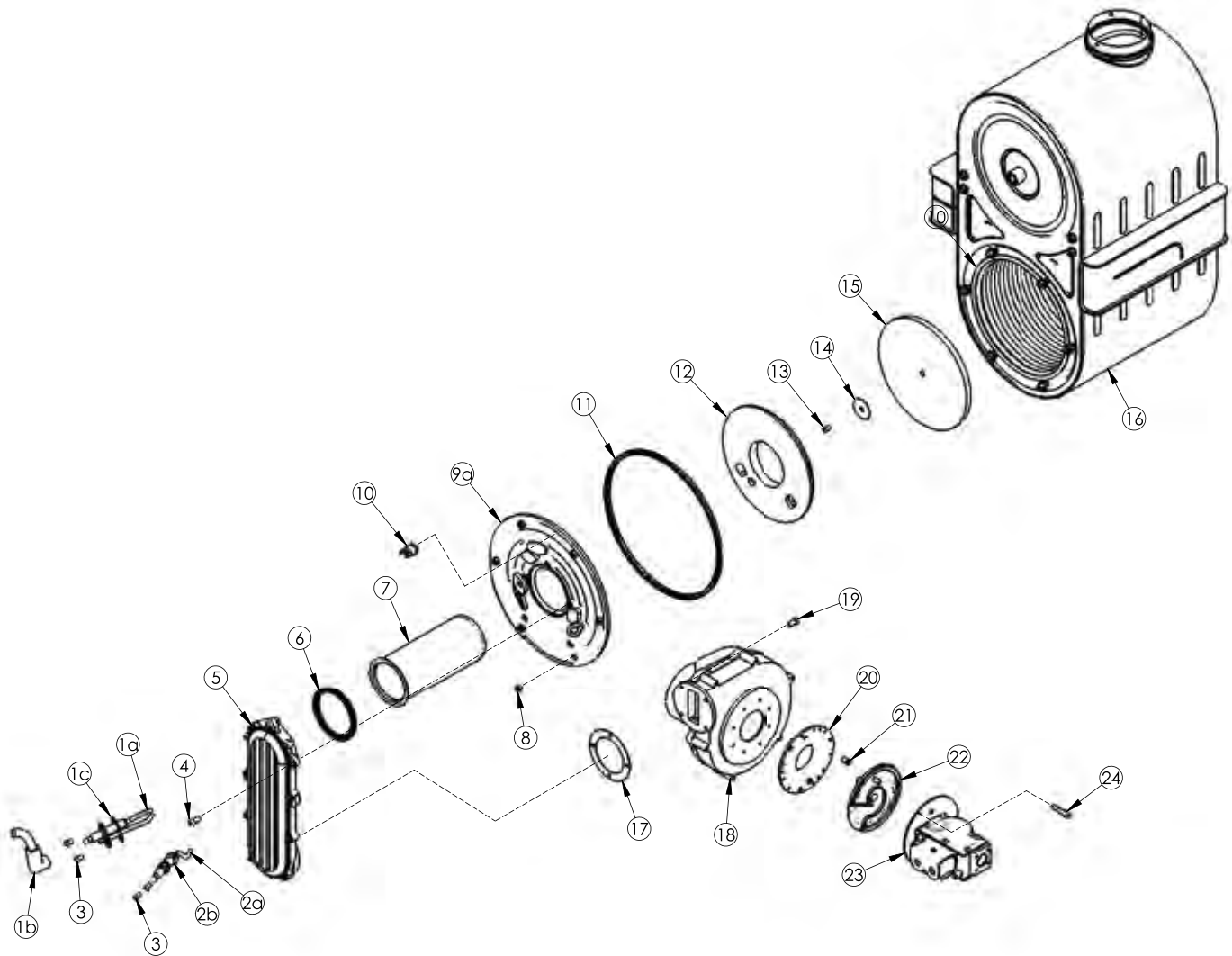
All repair parts orders - no minimum charges.

Please order with code number.

All prices quoted are in U.S. dollars.

All prices subject to change without notice.

All prices F.O.B. Bally, PA





PeerlessBoilers.com

Peerless® PFW™ Series

All repair parts orders - no minimum charges.

Please order with code number.

All prices quoted are in U.S. dollars.

All prices subject to change without notice.

All prices F.O.B. Bally, PA

	Description	Quantity Required	Stock Code
1	Kit Igniter & Cable w/ Hardware, PF50/80/110/140	1	54246
1a	Igniter Only In Item 1	1	
1b	Igniter Cable In Item 1	1	
1c	Igniter Gasket In Item 1	1	
2	Flame Sensor w/ Gasket & Hardware	1	54247
2a	Flame Sensor Only In Item 2	1	
2b	Flame Sensor Gasket In item 2	1	
3	Screw, M4 x8mm, (Local Hew Supply)	4	-
4	Screw, M5.5 x 14mm, (Local Hew Supply)	5	-
6	Gasket, Channel to Burner	1	54186
7	Burner – PF-210	1	54263
	Burner – PF-399	1	54264
8	Nut, M6, 10MM Hex, (Local Hdwr Supply)	6	-
9	200 / 210 Combustion Chamber Cover Plate Kit, Current ,includes items # 8,10, 11& 12 w/ Hardware	1	54206
9a	Combustion Chamber Cover PF	1	54183
10	Thermal Temperture Limit, 435F – Burner Plate	1	50045
N/L	Gasket, Glass Rope, (Must use Cover Plate Kit)	1	-
11	Gasket, Rubber	1	54187
12	Insulation, Combustion Chamber Cover Plate	1	54255
13	M4 X 8 MM SS Screw Target Wall, (Local Hdwr Supply)	1	-
14	Washer, M4, (Local Hdwr Supply)	1	-
15	Insulation, Target Wall	1	54185
16	Heat Exchanger – PF-200 - 210 (For Credit Referance Only)	1	5529
	Heat Exchanger – PF-300 - PF-399 (For Credit Referance Only)	1	5530
17	Gasket, Blower to Channel	1	54122
18	Blower Kit, PF-200 - 210 w/ Restrictor	1	54258
	Blower Kit, PF-300 - 399 w/ Restrictor	1	54257
19	M5-0.80 X 12MM Screw, (Local Hdwr Supply)	4	-
20	Blower Adapter Plate – PF-210	1	5421
	Blower Adapter Plate – PF-399	1	5610
21	M4 x 10mm Screw, (Local Hdwr Supply)	3	-
22	Swirl Plate – PF-210, Grey	1	54251
	Swirl Plate – PF-399, Black	1	54252
23	Gas Valve – PF-210, includes item #22	1	54253
	Gas Valve – PF-399, includes item #22	1	54254
24	Screw, M4 x 25mm,T20 Torx, PF-200 - 210 (Local Hdwr Supply)	3	-
25	Screw, M4 x 30mm, T20 Torx, PF-300, 399 (Local Hdwr Supply)	3	-

	Description	Quantity Required	Stock Code
3	DSPY PFW-200/399, Specify Unit Size	1	54646
N/S	SWITCH FLOW IFS01BR-1 , (Local Supplier)	1	29017
N/S	SENSOR IMMERSION 12K TSK10BH	1	54157
23	SRV CONBRACO 10-604-25 , (Local Supplier)	1	54274
N/S	GAGE T-P HOWE 0-200PSI/70-320F , (Local Supplier)	1	54275
6	NIPPLE 1 X 6 SCH40 BRS, PFW-200 , (Local Supplier)	2	5533
	NIPPLE 1-1/2 NPT X 6 SCH40 BRS, PFW-399 , (Local Supplier)	2	5793
18	TEE 1 BRS, PFW-200 , (Local Supplier)	1	5537
	TEE 1-1/2 BRS, PFW-399 , (Local Supplier)	1	5554
N/S	UNION THRD 1 NPT BRS, PFW-200 , (Local Supplier)	1	5565
	UNION THRD 1-1/2 NPT BRS, PFW-399 , (Local Supplier)	1	5792
20	BUSHING HEX 1-1/2 NPT X 1 NPT, PFW-399 , (Local Supplier)	1	5791