

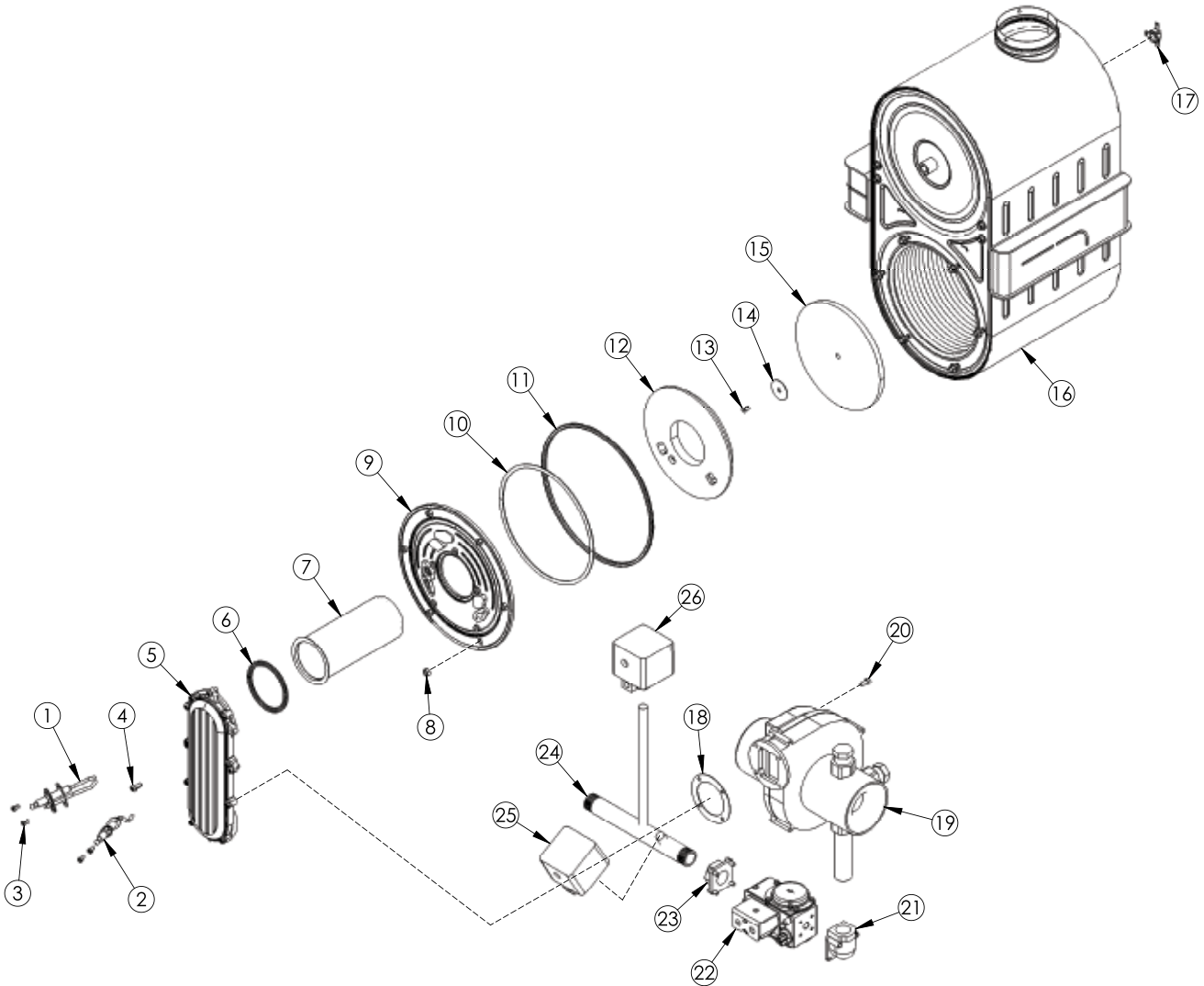


PeerlessBoilers.com

Peerless® PUREFIRE® PFC

PFC-460

All repair parts orders - no minimum charges.
Please order with code number.
All prices quoted are in U.S. dollars.
All prices subject to change without notice.
All prices F.O.B. Bally, PA





PeerlessBoilers.com

Peerless® PUREFIRE® PFC

PFC-460

All repair parts orders - no minimum charges.
 Please order with code number.
 All prices quoted are in U.S. dollars.
 All prices subject to change without notice.
 All prices F.O.B. Bally, PA

	Description	Quantity Required	Stock Code
1	Ignition Electrode KIT includes Gasket, Hardware, and Cable	1	54246
2	Sensor Electrode KIT includes Gasket and Hardware	1	54247
3	Screw, M4 x 8mm, (Local Hdw Supply)	4	-
4	Screw, M5.5 x 14mm (Local Hdw Supply)	5	6506
5	Premix Channel – PFC-460	1	5546
6	Gasket, Chanell to Burner	1	54186
7	Burner – PF-460	1	54264
8	Nut, M6, 10MM Hex, (Local Hdw Supply)	6	-
9	460 Combustion Chamber Cover Plate Kit, Current, includes items # 8,10, 11 & 12 w/Hardware	1	54207
N/S	Combustion Chamber Cover	1	54183
N/S	Thermal Temperture Limit, 435F – Burner Plate	1	50045
10	Gasket, Glass Rope, (Must use Cover Plate Kit)	1	-
11	Gasket, Rubber	1	54187
12	Insulation, Combustion Chamber Cover Plate	1	54255
13	M4 X 8 MM SS Screw Target Wall, (Local Hdw Supply)	1	-
14	Washer, M4, (Local Hdw Supply)	1	-
15	Insulation, Target Wall	1	54185
16	Heat Exchanger – PFC-460 (For Credit Referance Only)	1	5530
17	Thermal Temperture Limit, 605 F	1	54466
18	Gasket, Blower to Channel	1	54122
19	Blower- PFC-460	1	54428
20	M5-0.80 X 12MM Screw, (Local Hdw Supply)	4	-
21	90° Flange Connection	1	5543
22	Dungs 057 Gas Valve	1	54429
23	Straight Flange Connection	1	5855
24	Gas Manifold- PF-460	1	54681
25	High Gas Pressure Switch- Honeywell C6097B1028	1	50844
26	Low Gas Pressure Switch- Honeywell C6097A1012	1	50845
N/S	Control Module, 852MN – PFC-460	1	54730
N/S	Display Module, Argus 852RC (PFC460)	1	54735
N/S	KIT PFC460 852IF Interface Board (PF460 Only)	1	54737
N/S	Wiring Harness, Power (Right Terminal Block) used w/ 4 pole relay; 120 Volt	1	54629
N/S	Wiring Harness, Control (Left Terminal Block) w/ GV Plug 24 Volt	1	PF7112