



PeerlessBoilers.com

Peerless® Series PBC™

PBC-34, PBC-40, PBC-52

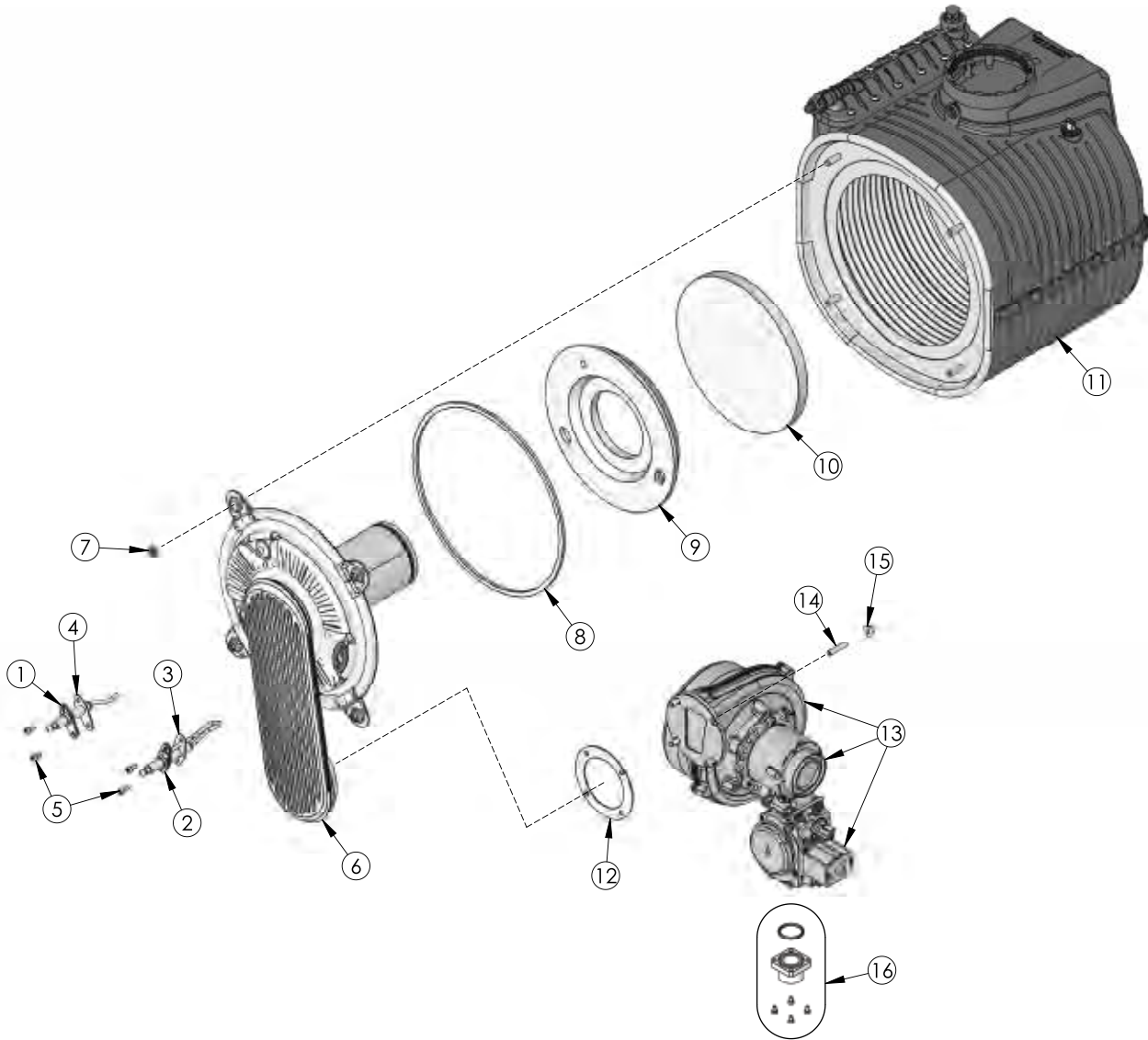
All repair parts orders - no minimum charges.

Please order with code number.

All prices quoted are in U.S. dollars.

All prices subject to change without notice.

All prices F.O.B. Bally, PA





PeerlessBoilers.com

Peerless® Series PBC™

PBC-34, PBC-40, PBC-52

All repair parts orders - no minimum charges.

Please order with code number.

All prices quoted are in U.S. dollars.

All prices subject to change without notice.

All prices F.O.B. Bally, PA

	Description	Quantity Required	Stock Code
1	Sensor Electrode KIT includes Gasket and Hardware	1	54836
2	Ignition Electrode KIT includes Gasket, Hardware, and Cable	1	54835
5	Screw M4 x 10MM For Electrodes Included in Items 1 and 2	2	-
6	Kit, Burner Door with Burner PBC-34/PBC-40, Consisting of Burner, Burner Door Ignitor, Flame Sensor , Hi Temp Limit	1	54795
7	M6 Flange Nut (Local Hardware Store)	4	-
8	Burner Door Gasket	1	54790
9	Burner Door Insulation	1	54791
10	Target Wall Insulation	1	54793
11	PBC-34/PBC-40 Isothermic Heat Exchanger, Consisting of Burner, Burner Door Ignitor, Flame Sensor, Thermal Fuse	1	98105
12	Blower Outlet Gasket	1	54122
13	KIT NG NRV118 Blower, Gas Valve, Venturi w/ Hardware PBC 34	1	54823
	KIT LP NRV118 Blower, Gas Valve, Venturi w/ Hardware PBC 34 & 40	1	54824
	CTN Blower PBC-40 NG (Blower Only)	1	54857
N/S	HM 140 Mixer PBC-40 Natural Gas	1	54766
N/S	GB-ND 055 D01 Gas Valve PBC-40	1	54721
14	Set Screw M5 x 25MM (Local Hardware Store)	4	-
15	Nut M5 Flange (Local Hardware Store)	4	-
16	Flange 1/2" NPT with Hardware	1	54785
N/S	CONVERSION KIT LP PBC-34 - Other Sizes are not field convertible	-	54821
Harnesses			
N/S	All Sizes Safety Harness	1	PBC7004
N/S	All Sizes Water Sensors Harness	1	PBC7003
N/S	All Sizes Stepper Motor Harness	1	PBC7002
N/S	All Sizes Display Harness	1	PBC7009
N/S	All Sizes Blower Harness	1	PBC7008
N/S	PBC-34 Gas Valve Harness	1	PBC7007
N/S	PBC-40/52 Gas Valve Harness	1	PBC7001
N/S	All Sizes Ground Wire	1	PF7009
N/S	All Sizes Control & Sensor Harness	1	PBC7006
N/S	All Sizes Power Harness	1	PBC7005
N/S	All Sizes Ignition Cable	1	PBC7012



PeerlessBoilers.com

Peerless® Series PBC™

PBC-34, PBC-40, PBC-52

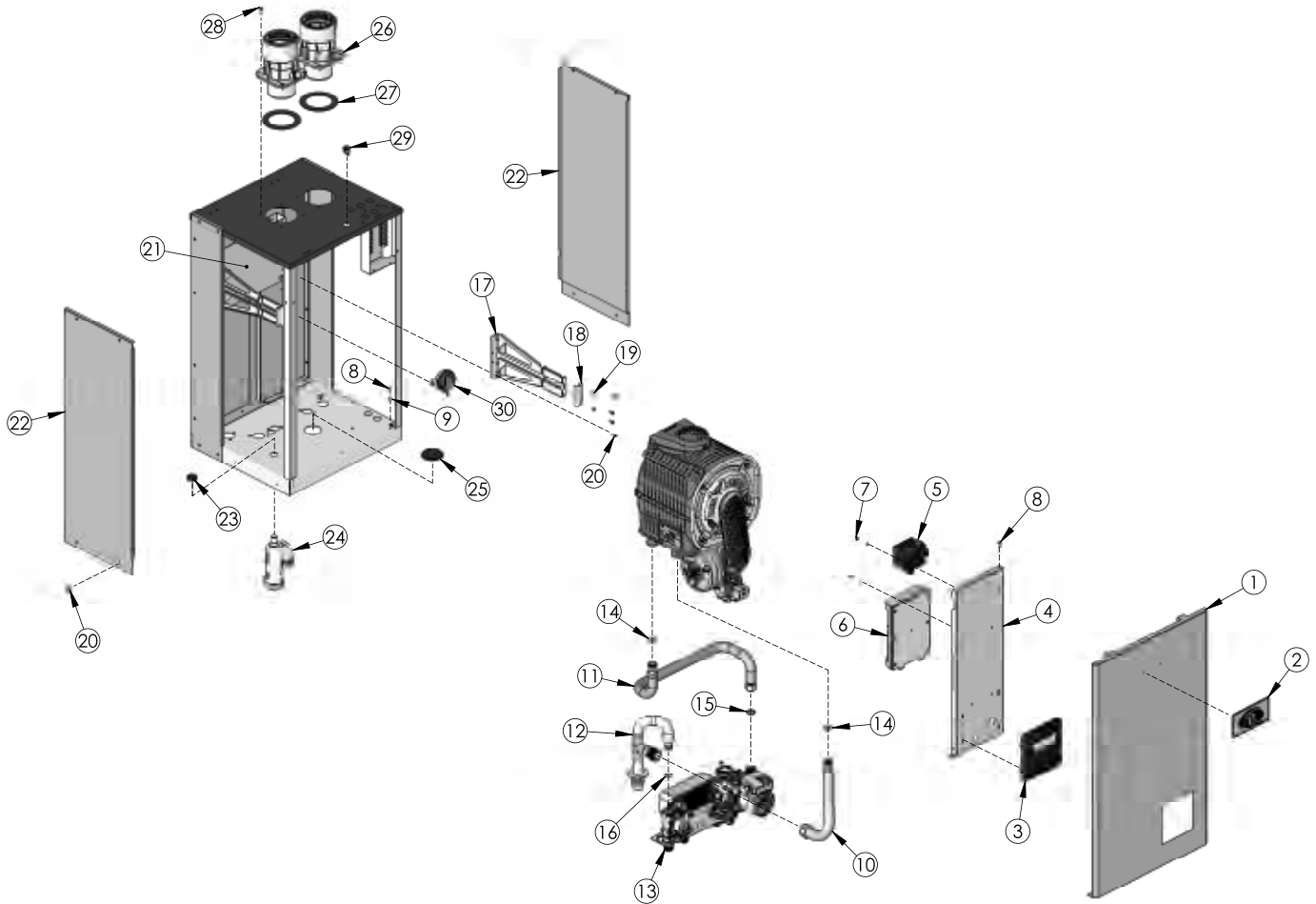
All repair parts orders - no minimum charges.

Please order with code number.

All prices quoted are in U.S. dollars.

All prices subject to change without notice.

All prices F.O.B. Bally, PA





PeerlessBoilers.com

Peerless® Series PBC™

PBC-34, PBC-40, PBC-52

All repair parts orders - no minimum charges.

Please order with code number.

All prices quoted are in U.S. dollars.

All prices subject to change without notice.

All prices F.O.B. Bally, PA

	Description	Quantity Required	Stock Code
1	PBC Front Panel	1	PBC6000
2	Logo Plate	1	9372
3	900LB Display Board	1	5954
4	Electrical Panel	1	PBC6004
5	Carlin 4180002F External Spark Generator	1	54758
6	975 MN Boiler Control PBC-34, PBC-40, PBC-52	1	54899
7	Nut #8-32 (Local Hardware Store)	6	-
8	Clevis Pin 3/16" x 1" (Local hardware store)	2	-
9	Retaining Pin Cotter 1" (Local hardware store)	2	-
10	1" Supply Flex line with HX Fitting	1	5957
11	PBC-34/40 Return Piping	1	54762
	PBC-52 Return Piping	1	54763
12	Supply Manifold	1	54764
13	Combination Hydronic Block	1	54747
14	O-Ring 20 MM for Heat Exchanger	2	5525
15	O-Ring CHB Return - Square #116	3	5909
16	O-Ring CHB Supply	1	5910
17	Heat Exchanger Rail - PBC-34/PBC-40	2	54725
	Heat Exchanger Rail - PBC-52	2	54726
18	Heat Exchanger Retention Clamp	2	54723
19	Screw M4 X 6MM (Local hardware Store)	6	-
20	Screw #10-24 x 1/2" Self Tapping (Local Hardware Store)	27	-
21	Heat Exchanger Mount PBC-34/PBC-40	1	PBC2010
22	Side Panel - PBC34/PBC-40	2	PBC6001
	Side Panel - PBC-52	2	PBC6001-1
23	Plastic Locknut 3/4"	1	5863
24	Condensate Trap 96	1	54753
25	Sealing Grommet 1/2" Pipe	1	5526
26	Vent Adapter 3-in-1	2	54751
27	EDPM Foam Vent Gasket	2	TBD
28	Screw #10 x 3/4" Sheet metal - Pan Head philips (Local Hardware Store)	8	-
29	Switch Round Rocker OSLO	1	6050
30	Pressure Switch Cleveland 3.5 W.C.	1	54765
N/S	Condensate Hose Assembly with Trap	1	5950
N/S	2" Vent Kit, Sidewall PVC	1	54837
N/S	2" Vent Kit, Vertical PVC	1	54838
N/S	KIT PBC LWCO Manual Reset	1	54839
N/S	Flue Sensor	1	54749
N/S	Supply Sensor	1	54750
N/S	Thermal Fuse, if Open Replace HX Assembly		
N/S	Conversion Kit to LP PBC-34 ONLY	-	54821



PeerlessBoilers.com

Peerless® Series PBC™

PBC-34, PBC-40, PBC-52

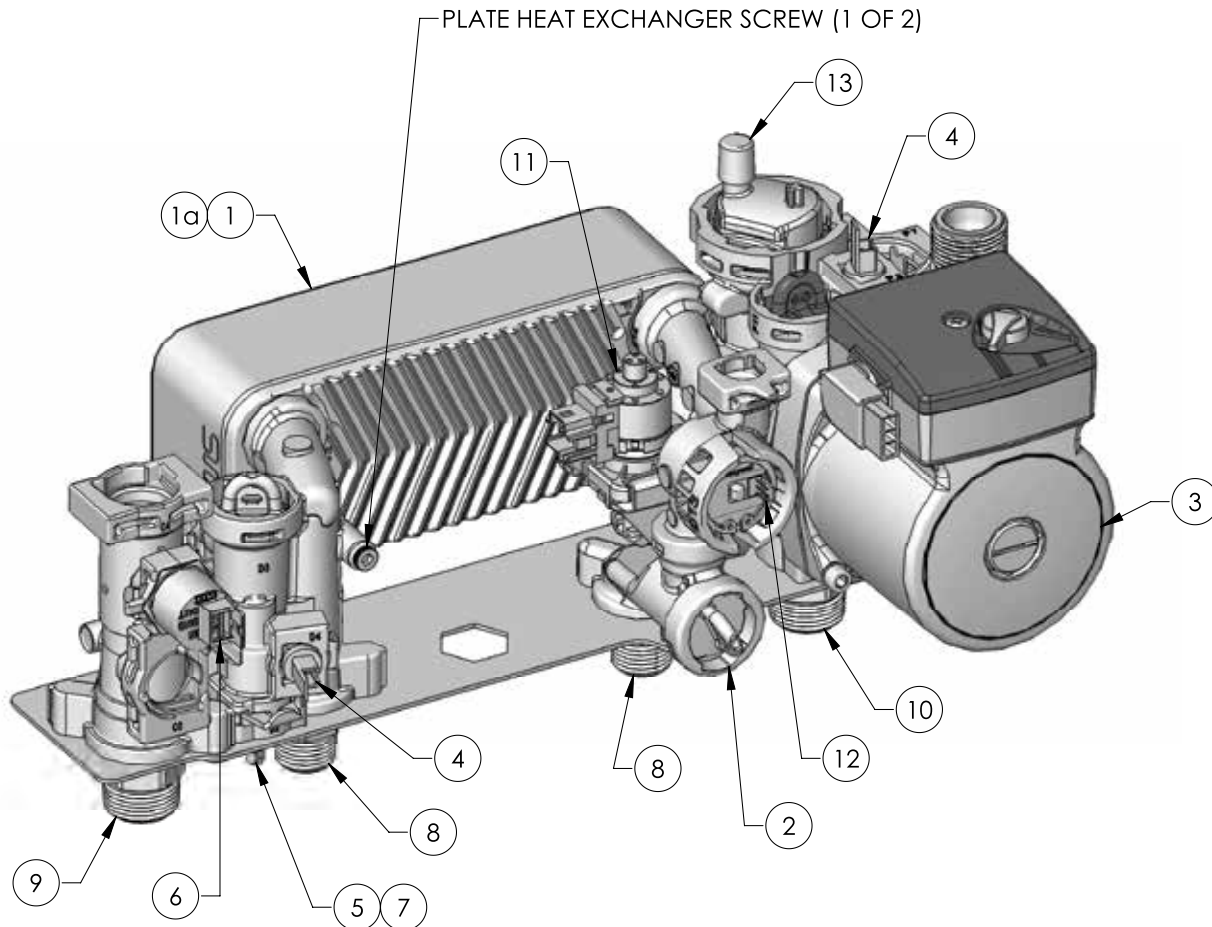
All repair parts orders - no minimum charges.

Please order with code number.

All prices quoted are in U.S. dollars.

All prices subject to change without notice.

All prices F.O.B. Bally, PA





PeerlessBoilers.com

Peerless® Series PBC™

PBC-34, PBC-40, PBC-52

All repair parts orders - no minimum charges.

Please order with code number.

All prices quoted are in U.S. dollars.

All prices subject to change without notice.

All prices F.O.B. Bally, PA

	<i>Description</i>	<i>Quantity Required</i>	<i>Stock Code</i>
1	Plate Heat Exchanger- 24 Plate (w/ Gaskets and Screws) ** Reference Only	1	54798
1a	Plate Heat Exchanger Gaskets	4	54799
2	Flow Restrictor 18L w/ Screen	1	54800
3	Basic Pump Cartridge UPS15-78, Motor & Cartridge	1	54801
4	Sensor, NTC 10 kΩ- Return And DHW Sensor (With Clip)	1	54802
5	Spare Filling Valve Short (With Clip)	1	54803
6	Pressure Sensor With Clip	1	54804
7	Non Return Valve	1	54805
8	DHW Water Connection – 1/2" NPT (Inlet and Outlet) (w / O-Ring)	1	54806
9	Central Heat Supply Connection – 3/4" NPT (w / O-Ring) ** Reference Only	1	54807
10	Central Heat Return Connection – 3/4" NPT (w / O-Ring)	1	54808
11	3-Way Valve Stepper Motor ** Reference Only	1	54809
12	Spare Flow Sensor, Honeywell w/ Impeller	1	54810
13	Air Venter Complete	1	54812
N/S	Drain Screw w / O-Ring ** Reference Only	1	54813
N/S	Supply Manifold Clip & Oring Set ** Reference Only	1	54811
N/S	Outdoor Sensor	1	54112
CF	Consult Factory ** Reference Only	-	-



PeerlessBoilers.com

Peerless® Series PBC™

PBC-34, PBC-40, PBC-52

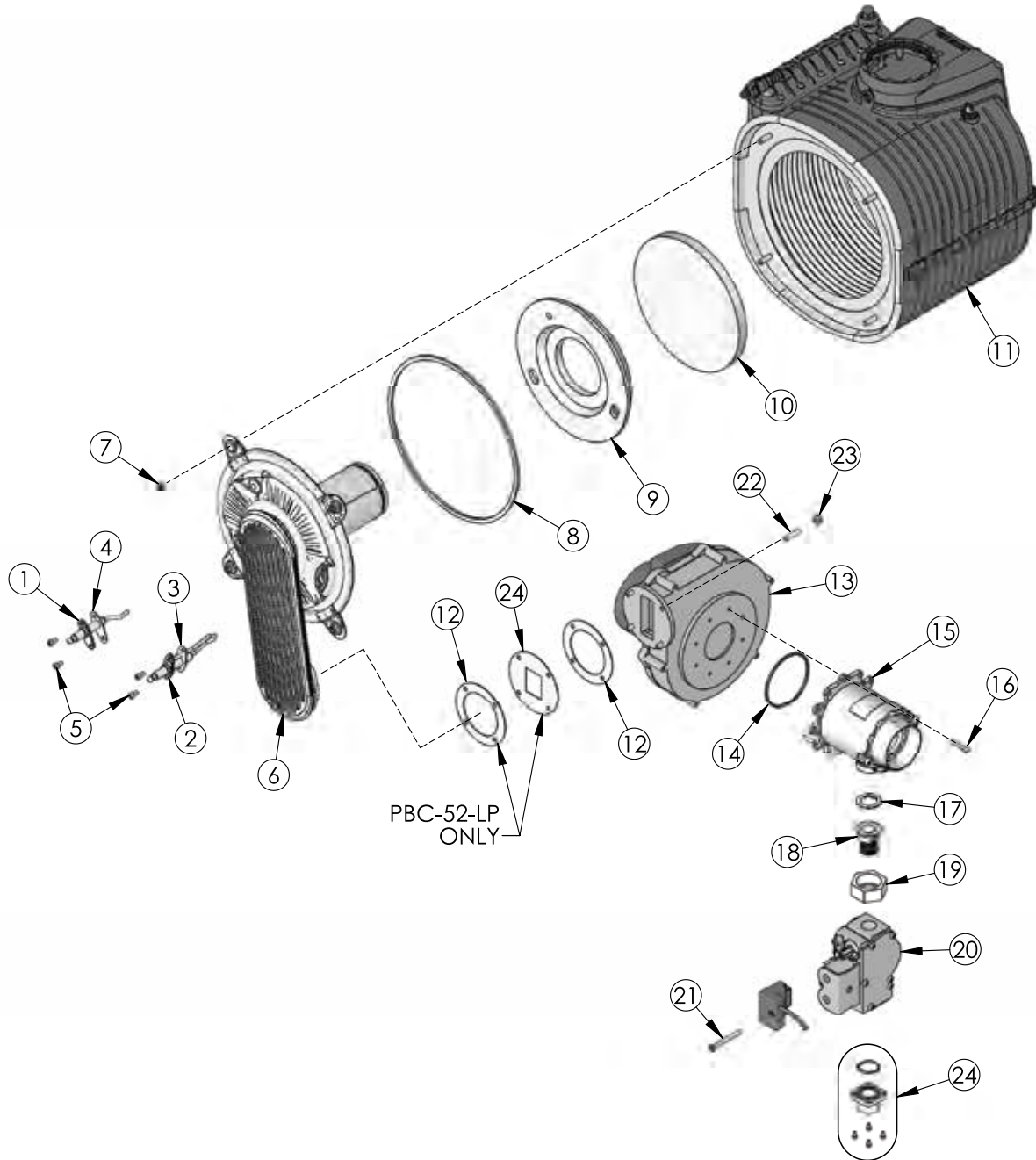
All repair parts orders - no minimum charges.

Please order with code number.

All prices quoted are in U.S. dollars.

All prices subject to change without notice.

All prices F.O.B. Bally, PA





PeerlessBoilers.com

Peerless® Series PBC™

PBC-34, PBC-40, PBC-52

All repair parts orders - no minimum charges.

Please order with code number.

All prices quoted are in U.S. dollars.

All prices subject to change without notice.

All prices F.O.B. Bally, PA

	<i>Description</i>	<i>Quantity Required</i>	<i>Stock Code</i>
1	Sensor Electrode KIT includes Gasket and Hardware	1	54836
2	Ignition Electrode KIT includes Gasket, Hardware, and Cable	1	54835
5	Screw M4 x 10MM For Electrodes Included in Item 1 and 2	2	-
6	Burner Door with Burner PBC-34/40	1	54795
	Burner Door with Burner PBC-52	1	54796
	Burner Door with Burner PBC-52-LP	1	54850
7	M6 Flange Nut (Local Hardware Store)	4	6505
8	Burner Door Gasket	1	54790
9	Burner Door Insulation	1	54791
10	Target Wall Insulation	1	54793
11	PBC-34/40 Isothermic Heat Exchanger, Consisting of Burner, Burner Door Ignitor, Flame Sensor, Thermal Fuse	1	98105
	PBC-52 Isothermic Heat Exchanger, Consisting of Burner, Burner Door Ignitor, Flame Sensor, Thermal Fuse	1	98106
12	Blower Outlet Gasket (PBC 52-LP, Qty. 2)	1	54122
13	RG-148 Blower 130W PBC-52 NG & LP	1	54720
14	O-Ring Venturi to Blower	1	5911
15	HM 140 Mixer PBC-40 Natural Gas	1	54766
	HM 140 Mixer PBC-52 Natural Gas	1	54768
	HM 140 Mixer PBC-52 LP Gas	1	54844
16	Screw 4MM x 10MM Pan Head Phillips (Local Hardware Store)	3	54784
17	Gas Valve Adapter Gasket	1	54783
18	Gas Valve Adapter - Body	1	54770
19	Gas Valve Adapter Nut	1	54771
20	GB-ND 055 D01 Gas Valve PBC-52	1	54721
21	Screw M4X 30 MM Philips	1	54125
22	Set Screw M5 x 25 MM (Local Hardware Store)	4	54774
23	Nut M5 Flange (Local Hardware Store)	4	54775
24	Flange 1/2" NPT with Hardware	1	54785
	Fan Restrictor plate (PBC-52 LP Only)	1	54843