



PeerlessBoilers.com

Peerless® Series EC™

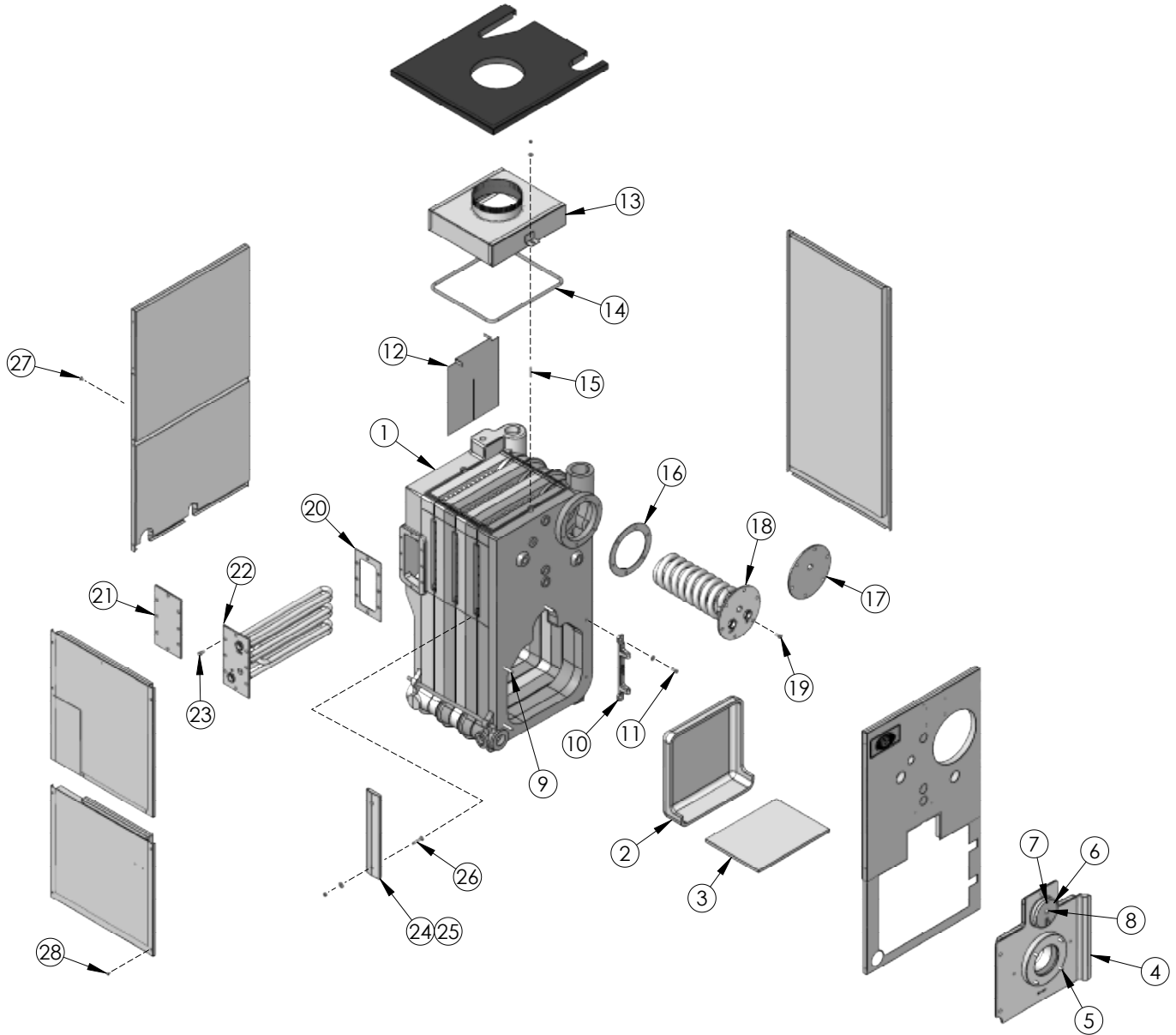
All repair parts orders - no minimum charges.

Please order with code number.

All prices quoted are in U.S. dollars.

All prices subject to change without notice.

All prices F.O.B. Bally, PA





PeerlessBoilers.com

Peerless® Series EC™

All repair parts orders - no minimum charges.

Please order with code number.

All prices quoted are in U.S. dollars.

All prices subject to change without notice.

All prices F.O.B. Bally, PA

	Description	Quantity Required	Stock Code
1	Block Assembly – EC-e-03	1	90662
	Block Assembly – EC-e-04	1	90663
	Block Assembly – EC-e-05	1	90657
	Block Assembly – EC-06	1	90661
	Block Assembly – EC(T)-e-03	1	90664
	Block Assembly – EC(T)-e-04	1	90665
	Block Assembly – EC(T)-e-05	1	90658
	Block Assembly – EC(T)-06	1	90660
–	Front Section	1	90006
–	Standard Intermediate Section	–	90000
–	Tapped Intermediate Section w/ 1" LWCO Tap	–	90002
–	Standard Back Section	1	90015
–	Tankless Back Section	–	90038
N/S	Large Push Nipple 1/Section #64 MCC-64	1	51546
N/S	Small Push Nipple 1/Section #12 MCC	1	51543
N/S	Draw Up Washer (large)	2	51163
N/S	Draw Up Washer (small)	2	51165
N/S	Draw Up Clamp Body	2	51146
N/S	Draw Up Clamp Jaws	4	51148
2	Target Wall	1	50768
N/S	Combustion Chamber Kit, EC		50661
3	Base Liner, 1/2" x 14" x 6" EC/EC(T)-e-03	1	50857
	Base Liner, 1/2" x 14" x 10.5" EC/EC(T)-e-04	1	50858
	Base Liner, 1/2" x 14" x 18-3/4" EC/EC(T)-e-05	1	50846
4	Burner Mounting Plate Assembly for Standard Door	1	93530
5	Burner Mounting Plate Studs 5/16-18 x 1" Lg.	4	51748
N/S	Burner Mounting Insulation	1	50765
N/S	High Temp. Rope 1/2" Diameter ** Price Per Foot **	7.ft	55521
N/S	Insulation Hardware for Burner Mtg. Plate	1	95016
6	Observation Door	–	51677
7	Machine Screws 5/16-18 x 3/4" Lg. (Mount Observation Door)	1	99802
8	Machine Screw, 3/8-16 x 1/2" SS (Obs Port)	1	7511
9	5-16" - 18 x 2-1/4" Stud, (Local Hdwr Supply)	4	51747
10	Burner Mounting Plate Hinge Internal (Older Style)	1	51149
10	Burner Mounting Plate Hinge Internal (Current)	1	3920
11	Bolt Hex, Hd. 5/16-18 x 5/8" Lg. (Hinge to block)	2	91588
12	Flue Baffle	1 per flue	51613
13	KIT Flue Collector EC/EC(T)-e-03 EC5000	1	99536
	KIT Flue Collector EC/EC(T)-e-04 EC5000-1	1	99537
	KIT Flue Collector EC/EC(T)-e-05 EC5000-2	1	99538
	KIT Flue Collector EC/EC(T)-06 EC5000-3	1	99539
14	Flue Seal, High Temp. Rope 1/2" Diameter, 7 Ft	7.ft	51211
15	3/8"-16 x 2-1/4" Bolt with Nuts & Washer, (Local Hdwr Supply)	2	51751
16	Round Gasket	1	51800
17	Tankless Cover Plate, KIT (Round) w/ Hardware (Water)	1	99812
18	Tankless Coil (Round) (Optional Water)	1	90534
19	3/8"-16 x 3/4" Hex Hd. Cap, (Local Hdwr Supply)	6	99788
20	Tankless Cover Plate (Rectangular) Gasket (Steam) (EC(T) Models)	1	90547
21	Cover Plate (Rectangular) w/ Gasket & Hardware	1	90140
22	Tankless Heater (Rectangular) (Optional Steam)	1	90546
23	3/8"-16 x 3/4" Hex Hd. Cap, (Local Hdwr Supply)	8	99788
24	Side Cleanout Plate Kit, includes insulation & hardware (03 section)	1	50721
	Side Cleanout Plate Kit, Includes insulation & hardware (04 section)	1	50722
	Side Cleanout Plate Kit, includes insulation & hardware (05 section)	2	50721
	Side Cleanout Plate Kit, includes insulation & hardware (06 section)	1 each	50721, 50722
25	Clean Out Insulation Board, 1/2 X 2-3/8 X 14", (1) per flue	1	50800
26	5/16"-18 x 1-3/4" Carriage, (2) ea. (Local Hdwr Supply)	2 per flue	93997
27	Machine Screw, Truss Hd., 1/4-20 x 3/8" Lg. (jacket to Block)	2	91590
28	Screw, #10 x 1/2" Lg., SMS	18	99992
–	Jacket Panel Assembly, EC-e-03 / EC(T)-e-03	1	90861
	Jacket Panel Assembly, EC-e-04 / EC(T)-e-04	1	90862
	Jacket Panel Assembly, EC-e-05 / EC(T)-e-05	1	90863
	Jacket Panel Assembly, EC-06 / EC(T)-06	1	90281



PeerlessBoilers.com

Peerless® Series EC™

All repair parts orders - no minimum charges.

Please order with code number.

All prices quoted are in U.S. dollars.

All prices subject to change without notice.

All prices F.O.B. Bally, PA

Blank Page



PeerlessBoilers.com

Peerless® Series EC™

All repair parts orders - no minimum charges.

Please order with code number.

All prices quoted are in U.S. dollars.

All prices subject to change without notice.

All prices F.O.B. Bally, PA

	Description	Quantity Required	Stock Code
	Water Trim		
N/S	3250, Oil I Reset & Lwco, Hydrolevel	☼	50343
N/S	Sensor Assy, Hydrostat Surface Mt. 12", 48-103 Hydrostat	☼	54522
N/S	3/4" NPT Well, 48-202 Hydrostat	☼	50792
N/S	3/4" Safety Relief Valve, 30PSI	1	50501
N/S	Temperature Pressure Gauge	1	51324
N/S	Drain Valve, 3/4" NPT	1	50764
N/S	Harness Limit Control to Burner - Packaged Water boilers	☼	54511
N/S	Harness, Limit Control to Jbox/Burner - Knowckdown Water Boilers	☼	54554
N/S	Harness, Circulator - Package Water Boilers	☼	X7083
	Steam Trim		
N/S	Pressuretrol, Honeywell, PA404A1009 Standard	1	50549
N/S	Aquastat Limit Honeywell L4006A1058 w/ 3/4" well Optional	1	50535
N/S	Siphon 1/4" NPT, 90 Degree Brass - Probe LWCO Boilers	1	6667
N/S	Siphon 1/4" NPT, 180 Degree Brass - Float LWCO Boilers	1	6666
N/S	7-1/4" Gauge Glass, w/ Valves & Rods	1	50513
N/S	LWCO Hydrolevele CG450 - Probe Boilers	1	29041
N/S	LWCO, McDonnell & Miller 67PE-2 - Float Boiler	1	29003
N/S	Safety Relief Valve, 3/4" NPT, 15 PSIG	1	50510
N/S	Pressure Gauge	1	51325
N/S	Drain Valve, 3/4" NPT	1	50764
N/S	Harness, Probe to Junction Box - Packaged Boilers	1	X7085
N/S	Harness, Probe to Limit Control - Packaged Boilers	1	EC7021
N/S	Harness, Float to Limit Control & Junction Box - Packaged Boiler	1	EC7026
N/S	Harness w/ 4-pin Connector (Mates w/ burner harness at junction box) - KD Steam Boilers	1	EC7025
N/S	KIT Steam Piping EC/ECT-e-03	-	63913