

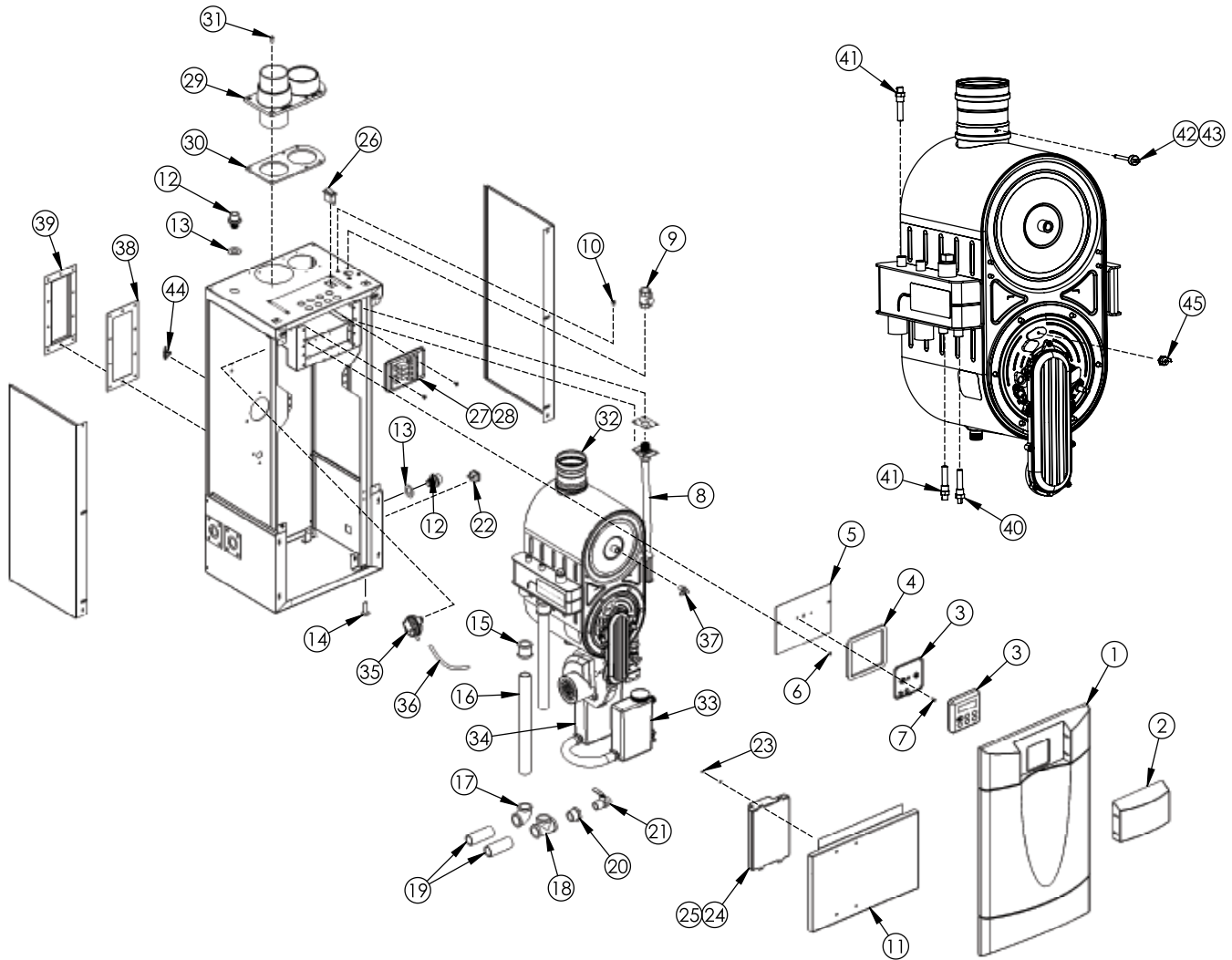


PeerlessBoilers.com

Peerless® PUREFIRE®

PF-200, PF-210, PF-300 & PF-399

All repair parts orders - no minimum charges.
Please order with code number.
All prices quoted are in U.S. dollars.
All prices subject to change without notice.
All prices F.O.B. Bally, PA



PF-200, PF-210, PF-300 & PF-399



PeerlessBoilers.com

Peerless® PUREFIRE®

PF-200, PF-210, PF-300 & PF-399

All repair parts orders - no minimum charges.

Please order with code number.

All prices quoted are in U.S. dollars.

All prices subject to change without notice.

All prices F.O.B. Bally, PA

| | Description | Quantity Required | Stock Code |
|--------|---|-------------------|------------|
| 1 | Panel, Jacket Front Door, with Ball Studs | 1 | 54256 |
| 2 | Lens for Jacket Front Door | 1 | 54167 |
| | Display Module, 852RC 4 Wire, PF-50-399, See Item 24 | 1 | - |
| 4 | Gasket for Display Bracket | 1 | 54153 |
| 5 | Bracket for Display Module | 1 | PF2007-1 |
| 6 | Hex Nut, #6-32 with Lock washer, (Local Hdwr Supply) | 2 | - |
| 7 | Screw, #6-32 x 1/2" LG Phillips Head, (Local Hdwr Supply) | 2 | - |
| 8 | Flexible Gas Line – 3/4" – PF-210 Low Pressure Kit | 1 | 54497 |
| | Flexible Gas Line – 3/4" – PF-399 | 1 | 54262 |
| N/L | Gasket for Gas Line | 1 | - |
| 9 | Manual Shut-off Valve, 3/4" NPT , Full Port | 1 | 54142 |
| 10 | Screw, #10 x 1/2" LG Hex. Hd., (Local Hdwr Supply) | 1 | 51805 |
| 11 | Jacket, Lower Front Panel | 2 | PF6051 |
| 12 | Bulk Head Fitting for Condensate Hose | 1 | 54140 |
| N/L | Jacket Side Panel – PF-210 | 1 | 54244 |
| | Jacket Side Panel – PF-399 | 1 | 54245 |
| 13 | Gasket for Bulk Head Fitting | 1 | 54134 |
| 14 | Leg Leveler | 4 | 93867 |
| 15 | Coupling, 1" NPT Brass, (Local Hdwr Supply) – PF-200- 210 | 2 | 5534 |
| | Coupling, 1-1/2" NPT Brass, (Local Hdwr Supply) – PF-300-399 | 2 | 5551 |
| 16 | Nipple, 1" NPT x 14" LG Brass , (Local Hdwr Supply) – PF-200- 210 | 2 | 5557 |
| | Nipple, 1-1/2" NPT x 14" LG Brass, (Local Hdwr Supply) – PF-300-399 | 2 | 5550 |
| 17 | Elbow, 1" NPT Brass, (Local Hdwr Supply) – PF-200- 210 | 1 | 5558 |
| | Elbow, 1-1/2" NPT Brass, (Local Hdwr Supply) – PF-300-399 | 1 | 5553 |
| 18 | Tee, 1" NPT Brass, (Local Hdwr Supply) – PF-200- 210 | 1 | 5537 |
| | Tee, 1-1/2" NPT Brass, (Local Hdwr Supply) – PF-300-399 | 1 | 5554 |
| 19 | Nipple, 1" NPT x 3" Brass, (Local Hdwr Supply) – PF-200- 210 | 2 | 5559 |
| | Nipple, 1-1/2" NPT x 3" Brass, (Local Hdwr Supply) – PF-300-399 | 2 | 5552 |
| 20 | Reducing Bushing, 1" x 3/4" NPT Brass, (Local Hdwr Supply) – PF-200- 210 | 1 | - |
| | Reducing Bushing, 1-1/2" x 3/4" NPT Brass, (Local Hdwr Supply) – PF-300-399 | 1 | - |
| 21 | Shut-off Valve, 3/4" NPT Brass, (Local Hdwr Supply) | 1 | 50764 |
| N/L | Nipple, 3/4" NPT x 16" LG Brass, Replaced by 3/4 plug (BRS) | 1 | - |
| 22 | Convenience Outlet, (Local Hdwr Supply) | 1 | - |
| 23 | Hex. Nut, #8-32 with Lockwasher, (Local Hdwr Supply) | 4 | - |
| 24 | Display Module & Control Module Kit, 852MN – PF-200 | 1 | 54713 |
| | Display Module & Control Module Kit, 852MN – PF-210 | 1 | 54714 |
| | Display Module & Control Module Kit, 852MN – PF-300 | 1 | 54715 |
| | Display Module & Control Module Kit, 852MN – PF-399 | 1 | 54716 |
| 25 | 3.15A, 250V 5x20mm Slow-Blow Glass Fuse for Control Board | 1 | 5650 |
| 26 | Rocker Switch (20A, 120 VAC, On/Off Switch) | 1 | 5701 |
| 27, 28 | Pump Isolation Relay Module Kit , Includes harness | 1 | 54610 |
| N/S | 10-Amp 125V 5x20mm Slow Blow Fuse, (Local Hdwr Supply) | 4 | - |
| N/S | Water Flow/Switch Sensor | 1 | 29017 |

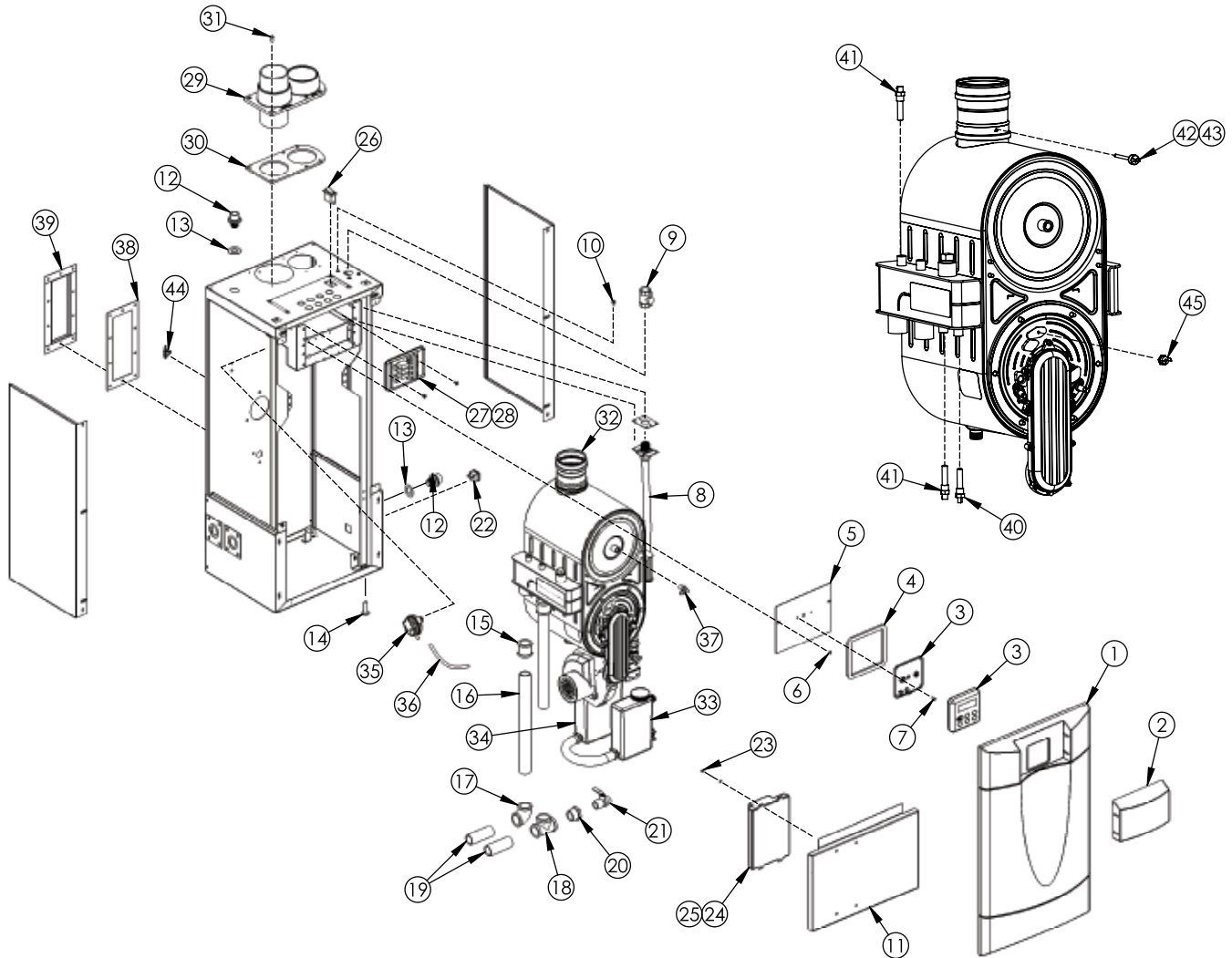


PeerlessBoilers.com

Peerless® PUREFIRE®

PF-200, PF-210, PF-300 & PF-399

All repair parts orders - no minimum charges.
Please order with code number.
All prices quoted are in U.S. dollars.
All prices subject to change without notice.
All prices F.O.B. Bally, PA



PF-200, PF-210, PF-300 & PF-399



PeerlessBoilers.com

Peerless® PUREFIRE®

PF-200, PF-210, PF-300 & PF-399

All repair parts orders - no minimum charges.
 Please order with code number.
 All prices quoted are in U.S. dollars.
 All prices subject to change without notice.
 All prices F.O.B. Bally, PA

| | Description | Quantity Required | Stock Code |
|-----------------------|---|-------------------|------------|
| 29 | Vent / Air Stub Adapter, 3" – PF-210 | 1 | 54293 |
| | Vent / Air Stub Adapter, 4" – PF-399 | 1 | 54294 |
| 30 | Gasket, Vent Adapter, 3" – PF-50/210 | 1 | 54133 |
| | Gasket, Vent Adapter, 4" – PF-399 | 1 | 54217 |
| 31 | Screw, #10 x 3/4" LG Phillips Pan Hd. Type A Zinc, (Local Hdwr Supply) | 6 | – |
| 32 | Heat Exchanger Outlet Collar, 3" – PF-210 | 1 | 5531 |
| | Heat Exchanger Outlet Collar, 4" – PF-399 | 1 | 5532 |
| N/S | Vent Stub, 3" – PF-210, (Earlier Models, Obsolete, 7/11) | 1 | 54221 |
| | Vent Stub, 4" – PF-399, (Earlier Modles, Obsolete, 7/11) | 1 | 54220 |
| 33 | Condensate Neutralizer Assembly | 1 | 54204 |
| 34 | Condensate Receiver Assembly | 1 | 54259 |
| 35 | Blocked Vent, Pressure Switch Kit includes items 36 & 37 | 1 | 54260 |
| 36 | 1/4" ID Tubing x 12" Long, (Local Hdwr Supply) | 1 | – |
| 37 | 90° Barbed Elbow Polyethylene Adapter Fitting, 1/4 NPT X 1/4 Barb | 1 | 5698 |
| 38 | Gasket for Thermal Temperature | 1 | – |
| 39 | Cover Plate for Thermal Temperature Limit | 1 | PF2021 |
| N/S | Revised Kit Supply Sensor/Switch, 12kOhm Tasseron Kit, (units prior to 10/2010) | 1 | 54350 |
| 40 | Hi Limit Switch Tasseron TSDS950 | 1 | 54419 |
| 41 | Supply/Return Sensor, 12kOhm Tasseron TSD00BS | 2 | 54418 |
| 42 | Grommet for Flue Sensor | 1 | 54291 |
| 43 | Flue Sensor, 12kOhm Tasseron TSDZ0B0 | 1 | 54209 |
| 44 | Thermal Temperature Limit, 605 F | 1 | 54475 |
| 45 | Thermal Door Temperature Limit, TK32-14 | 1 | 50045 |
| N/S | Wiring Harness, Power (Right Terminal Block) used w/ 4 pole relay 120 Volt | 1 | 54629 |
| N/S | Wiring Harness, Control (Left Terminal Block) 24 Volt | 1 | PF7021 |
| N/S | Wiring Harness, Gas Valve & Flame Sensor | 1 | PF7023 |
| N/S | Wiring Harness, limit curcuit, Pink Wires | 1 | PF7125 |
| N/S | Wiring Harness, Ground Wire | 1 | PF7024 |
| N/S | Push-on Terminal Block (Field Wiring) 10-pole | 2 | 5450 |
| N/S | Push-on Terminal Block (Field Wiring) 6-pole | 2 | 5547 |
| N/S | 30 Lbs. Relief Valve Standard, (Local Hdwr Supply) | 1 | 50664 |
| N/S | 50 Lbs. Relief Valve Optional, (Local Hdwr Supply) | 1 | 51029 |
| N/S | 80 Lbs. Relief Valve Optional, (Local Hdwr Supply) | 1 | 51030 |
| N/S | 125 Lbs. Relief Valve Optional, (Local Hdwr Supply) | 1 | 54274 |
| N/S | 150 Lbs. Relief ValveOptional, (Local Hdwr Supply) | 1 | 54471 |
| N/S | Harness PF210/399 Split Sensor / Limit Adapter | 1 | 54421 |
| N/S | DHW Sensor, Optional (PP Partner) 12kOhm Tasseron TSK1 0BH | 1 | 54157 |
| N/S | DHW Sensor, Optional (PT Partner) 12kOhm Tasseron TSK10B7 | 1 | 54478 |
| N/S | DHW Sensor, Optional (Amtrol) 12kOhm Tasseron TSK10B7 | 1 | 54158 |
| N/S | System Sensor, 12kOhm Tasseron TSA00BC | 1 | 54156 |
| N/S | Outdoor Sensor, 12kOhm Tasseron TSA00B4 | 1 | 54112 |
| Optional items | | | |
| N/S | PFA-1 Interface Board Kit Consisting of the below items: | 1 | 54271 |
| N/S | Adapter Interface Board PFA-1 ARGUS 852IF-3R-0 | 1 | 54270 |
| N/S | Low Voltage Stub Harness | 1 | PF7027 |
| N/S | Line Voltage Stub Harness | 1 | PF7028 |
| N/S | Analog Input Stub Harness (Rev 0 & 1) Obs 4/10 | 1 | PF7031 |
| N/S | ModBus Stub Harness | 1 | PF7030 |
| Miscellaneous | | | |
| N/S | 4" 304 Stainless Steel Vent Screen | 2 | 54213 |
| N/S | 320°F 0-75# 2-1/2 Round Gauge, Howe | 1 | 51324 |
| N/S | Stand (PureFire) | 1 | 91400 |
| N/S | Conversion Kit PF-200 to PFW-200 (Domestic) | 1 | 91177 |
| N/S | Conversion Kit PF-300 to PFW-300 (Domestic) | 1 | 91178 |
| N/S | Conversion Kit (Nat. to LP/LP to Nat.) Contained in Boiler Envelope Assembly | 1 | 54194 |

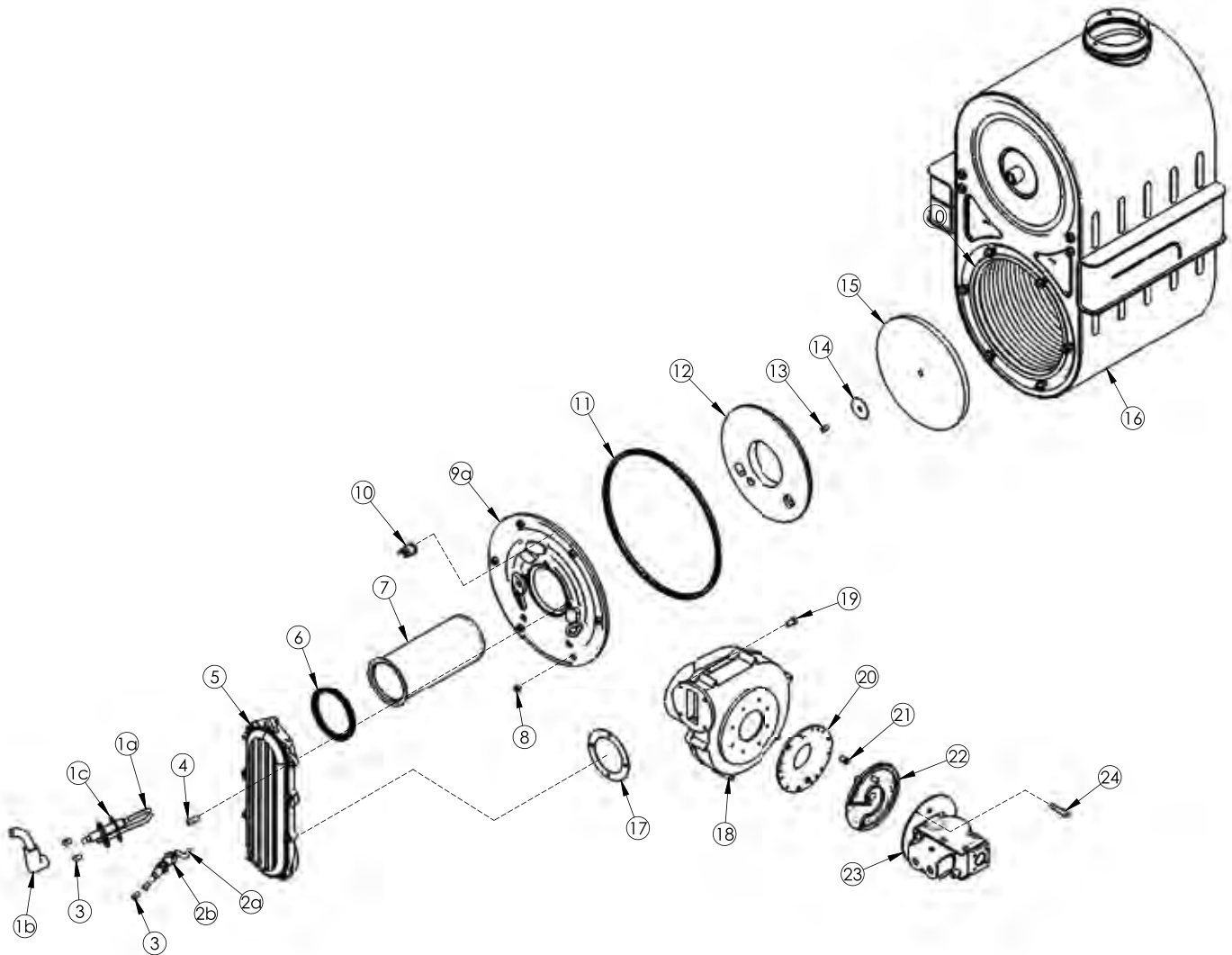


PeerlessBoilers.com

Peerless® PUREFIRE®

PF-200, PF-210, PF-300 & PF-399

All repair parts orders - no minimum charges.
Please order with code number.
All prices quoted are in U.S. dollars.
All prices subject to change without notice.
All prices F.O.B. Bally, PA



PF-200, PF-210, PF-300 & PF-399



PeerlessBoilers.com

Peerless® PUREFIRE®

PF-200, PF-210, PF-300 & PF-399

All repair parts orders - no minimum charges.

Please order with code number.

All prices quoted are in U.S. dollars.

All prices subject to change without notice.

All prices F.O.B. Bally, PA

| | Description | Quantity Required | Stock Code |
|-----|--|-------------------|------------|
| 1 | Ignition Electrode KIT includes Gasket, Hardware, and Cable | 1 | 54246 |
| 2 | Sensor Electrode KIT includes Gasket and Hardware | 1 | 54247 |
| 3 | Screw, M4 x8mm, (Local Hew Supply) | 4 | - |
| 4 | Screw, M5.5 x 14mm, (Local Hew Supply) | 5 | - |
| 5 | Premix Channel, Air Inlet, PF200 - 210 | 1 | 5545 |
| | Premix Channel, Air Inlet, PF300 - 399 | 1 | 5546 |
| 6 | Gasket, Channel to Burner | 1 | 54186 |
| 7 | Burner – PF-200/210 | 1 | 54263 |
| | Burner – PF-300, 399, and 460 | 1 | 54264 |
| 8 | Nut, M6, 10MM Hex, (Local Hdwr Supply) | 6 | 51614 |
| N/S | 200 / 210 Combustion Chamber Cover Plate Kit, Current, includes items #8, 9a, 12 | 1 | 54206 |
| | 300 / 399 Combustion Chamber Cover Plate Kit, Current, includes items #8, 9a, 12 | 1 | 54207 |
| 9a | 200 / 210 Combustion Chamber Cover Plate | 1 | 54183 |
| 10 | Thermal Tempeture Limit, 435F – Burner Plate | 1 | 50045 |
| N/L | Gasket, Glass Rope, (Must use order #9a) | 1 | - |
| 11 | Gasket for Burner, Rubber | 1 | 54187 |
| 12 | Insulation, Combustion Chamber Cover Plate | 1 | 54255 |
| 13 | M4 X 8 MM SS Screw Target Wall, (Local Hdwr Supply) | 1 | - |
| 14 | Washer, M4, (Local Hdwr Supply) | 1 | - |
| 15 | Insulation, Target Wall | 1 | 54185 |
| 16 | Heat Exchanger – PF-200 - 210 (For Credit Referance Only) | 1 | 5529 |
| | Heat Exchanger – PF-300 - PF-399 (For Credit Referance Only) | 1 | 5530 |
| 17 | Gasket, Blower to Channel | 1 | 54122 |
| 18 | Blower/Inducer Kit, PF-200 - 210 w/ Restrictor | 1 | 54258 |
| | Blower/Inducer Kit, PF-300 - 399 w/ Restrictor | 1 | 54257 |
| 19 | M5-0.80 X 12MM Screw, (Local Hdwr Supply) | 4 | - |
| 20 | Blower Adapter Plate – PF-200/210 | 1 | 5421 |
| | Blower Adapter Plate – PF-300/399 | 1 | 5610 |
| 21 | M4 x 10mm Screw, (Local Hdwr Supply) | 3 | - |
| 22 | Swirl Plate – PF-200/210, Grey | 1 | 5616 |
| | Swirl Plate – PF-300/399, Black | 1 | 5620 |
| 23 | Gas Valve – PF-200/210, includes item #22 | 1 | 54253 |
| | Gas Valve – PF-300/399, includes item #22 | 1 | 54254 |
| 24 | Screw, M4 x 25mm, T20 Torx, PF-200 - 210 (Local Hdwr Supply) | 3 | - |
| | Screw, M4 x 30mm, T20 Torx, PF-300, 399 (Local Hdwr Supply) | 3 | - |
| N/S | System Sensor 12KOHM TSA00BC | 1 | 54156 |