

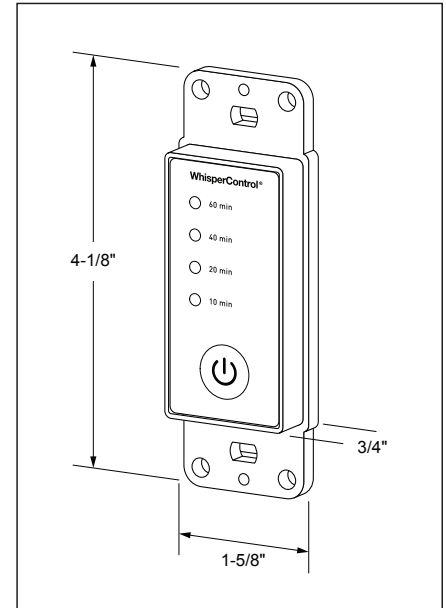
Specification Submittal Data / Panasonic ERV Timer

WhisperComfort® Low Voltage Timer

For exclusive use with BalancedHome™ and Intelli-Balance® Elite and Elite Plus+ ERVs: FV-15VE1T, FV-15VE1S, FV-12VE1T, FV-12VE1S, FV-16VEC1T, FV-16VEC1S, FV-13VEC1T, FV-13VEC1S, FV-15ESC1, FV-12ESC1, FV-14ES1 and FV-11ES1.

- 10-, 20-, 40-, 60-minute timer settings
- Push-button navigation for timer levels (e.g., press once for 10, twice for 20, etc.)
- Blue LED indicates timer setting
- Commercial grade
- For indoor use
- Does not include a wall plate
- Boosts ERV to maximum CFM for timer setting

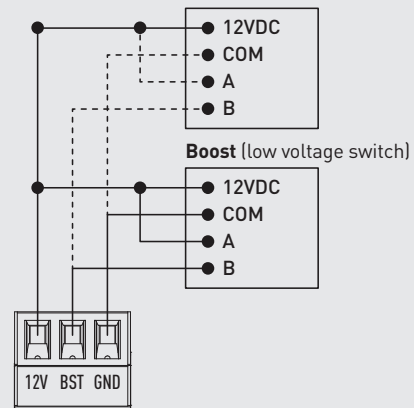
Product Specifications	
Voltage	DC12V +/- 0.5v
Timer Unit Current Consumption	Less than 40mA / 1SW
Wiring Type	Pre-stripped wire leads (20 to 14 AWG stranded)
Flammability	UL94 V0
Environmental	Indoor installation only
Operating Temperature	0°C to 50°C (32°F to 122°F)
Warranty	1 year



FV-SWL1060

Wiring Diagram and Table

Identification	Description
+12VDC	VDC
Com	Common / Ground
A	Dry contact
B	Dry contact



For complete Installation Instructions visit iaq.na.panasonic.com

Model	Quantity	Comments	Project:
			Location:
			Architect:
			Engineer:
			Contractor:
			Submitted by:
			Date: