

Specification Submittal Data: Intelli-Balance® Elite Plus+ 150 (FV-15ESC1)

Description:

The Intelli-Balance® 150 Elite Plus+ Energy Recovery Ventilator (ERV) provides tempered supply air to the home while exhausting stale indoor air. Independent supply and exhaust settings provide balanced ventilation while recovering energy from the exchanged air. Max airflow is up to 150 CFM for supply and exhaust, with an occupant-controlled boost function to 150 CFM, and engineered for use in any North American climate zone.

Motor/Blower:

- Two (2) DC-enclosed ECM brushless motors rated for continuous run.
- Power rating 120V/60hz
- Supply and Exhaust CFM rates adjustable from 30 – 150 CFM
- Motor equipped with a thermal cut-off fuse.
- Built-in ASHRAE 62.2 timing function for code compliance

Housing:

- Galvanized, corrosion-resistant steel body
- Four 6" ducts for supply and exhaust
- Wall mount, Chain mount and floor mount brackets included
- Detachable air damper allows for mirror installation options

Maintenance:

- MERV13 filter included
- MERV 6 (washable) filter available
- Visual and Audible filter replacement indicators activate after 90 days of accumulated run time
- California Energy Commission (CEC) certified Fault Indication Device (FID) alerts occupants to check for maintenance and installation issues

Warranty:

- ECM Motors: 6 years from the original purchase date
- All other parts: 3 years from the original purchase date

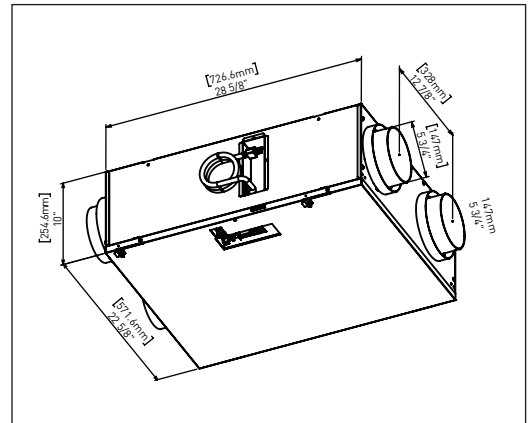
Architectural Spec:

ERV shall be ceiling, floor or wall mount type with LED display speed selectors for supply and exhaust air. CFM shall be selectable from 30-150 CFM. ERV shall have 150 Net CFM on the exhaust ports and 150 Net CFM on the supply ports as tested under CSA-C439 standards at 0.4 static pressure in inches water gauge. ERV shall have Occupant Controlled Boost Capability to 150 CFM.

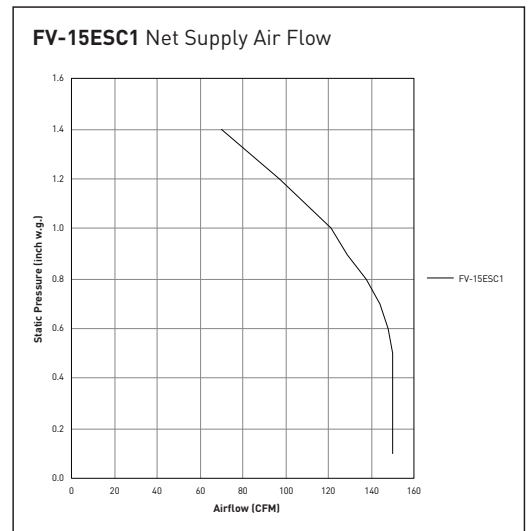
ERV shall have a fault indicator device to notify occupants of system issues. ERV shall have a detachable damper to allow for mirror installation. Power consumption shall be no greater than 115 watts at 0.2" w.g. static pressure at 150 CFM. Sensible Recovery Efficiency for heating shall be no less than 90% at 36 CFM net airflow at 32°F, (0°C). Adjusted Sensible Recovery Efficiency for heating shall be no less than 94 % at 36 CFM net airflow at 32°F (0°C). Total Recovery Efficiency for cooling shall be no less than 84% at 36 CFM net airflow at 95°F (35°C). When temperatures are within freezing, frost prevention mode shall activate and have the option of recirculation or exhaust the air based on preset settings. The (2) motors shall be enclosed ECM brushless motors rated for continuous run. ECM motor speed shall automatically increase when the fan senses static pressure to maintain the selected CFM. ERV shall incorporate an ASHRAE 62.2 intermittent and continuous timing function for code compliance. The power rating shall be 120v/60Hz. Duct diameters shall be no less than 6". ERV can be used to comply with ASHRAE 62.2, Ontario Building Code, ENERGY STAR®* and Novoclimat requirements; LEED, Indoor airPLUS, California Title-24, and 2021 Washington State Residential Energy Code.

ERV Core Technology:

- Indoor and outdoor air passes through Panasonic's high performance core technology. This process tempers supply air while transferring moisture and energy.
- Core material permeated with anti-mold treatment.
- Built-in Frost Prevention Mode prevents the core from freezing.



FV-15ESC1



For complete Installation Instructions visit iaq.na.panasonic.com

Model	Quantity	Comments	Project:
			Location:
			Architect:
			Engineer:
			Contractor:
			Submitted by:
			Date:

Specification Submittal Data: Intelli-Balance® Elite Plus+ 150 (FV-15ESC1)
(Continued)

FV-15ESC1												
Energy Performance												
Mode	Outdoor Temperature		Net Air Flow		Power consumed	Sensible Recovery Efficiency	Adjusted Sensible Recovery Efficiency	Latent Recovery / Moisture Transfer	Apparent Sensible Effectiveness (NOT HVI Certified)	Total Recovery Efficiency	Adjusted Total Recovery Efficiency	CFM/W
	°C	°F	L/S	CFM	[Watt]							
Heating	0	32	17	36	21	90	94	0.94	97	---	---	1.7
	0	32	31	66	32	84	87	0.85	89	---	---	2.0
	0	32	52	110	61	77	81	0.77	82	---	---	1.8
	0	32	71	150	107	72	77	0.72	78	---	---	1.4
-25°C	-25	-13	31	66	80	68	71	0.74	85	---	---	0.8
Cooling	35	95	17	36	21	---	---	0.91	91	84	86	1.7
	35	95	31	66	33	---	---	0.82	84	77	80	2.0
	35	95	52	110	64	---	---	0.72	76	66	69	1.7
	35	95	71	150	115	---	---	0.66	72	60	63	1.3

Panasonic
IAQ Division
 Two Riverfront Plaza
 Newark, NJ 07102
iaq.na.panasonic.com



*This product meets strict energy efficiency guidelines set by Natural Resources Canada and is ENERGY STAR® certified for the Canadian market only. There are no current Energy Star ratings for Energy Recovery Ventilators in the US market.