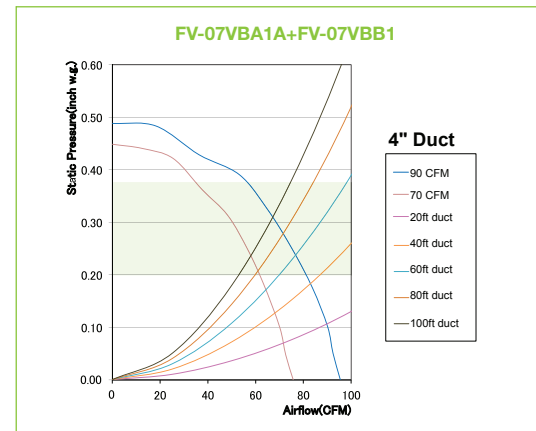
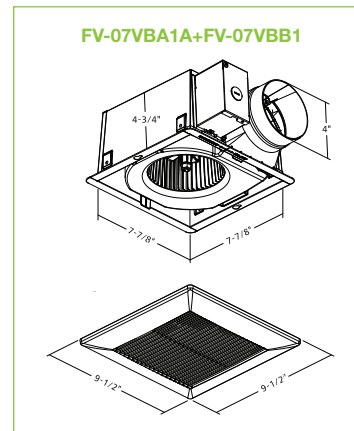




FV-07VBA1A + FV-07VBB1



Industry research indicates static pressure in typical installations ranges from 0.20" to 0.375".

EcoVent							
SPECIFICATIONS		FV-07VBA1A + FV-07VBB1					
Characteristics (HVI tested data for 0.1" S.P.)	Fan Setting	Standard Speed			High Speed		
	Static Pressure in inches w.g.	0.1	0.25	0.375	0.1	0.25	0.375*
	Air Volume (CFM)	70	56	34	90	75	56
	Noise (sones)	0.7	1.3	-	1.5	1.5	-
	Power Consumption (watts)	20.0	20.0	20.0	24.0	24.0	24.0
	Energy Efficiency (CFM/Watt)	3.5	2.8	1.7	3.8	3.1	2.3
	Speed (RPM)	907	1200	1425	1019	1266	1450
	Current (amps)	0.15	0.14	0.15	0.19	0.18	0.17
	MAX. Current(amps)	0.25					
	Power Rating (V/Hz)	120/60					
Specifications	Motor Type	AC					
	Type of Motor Bearing	Ball					
	Thermal Fuse Protection	Yes					
	Blower Wheel Type	Sirocco					
	ENERGY STAR Qualified	Yes					
Installation	Duct Diameter (Inches)	4					
	Mounting Opening (Inches sq.)	7-7/8					
	Grille Size (Inches sq.)	9-1/2					
Approved Code/ Standard/Regulation	UL tub/Shower Enclosure	Yes					
	Washington VIAQ Code	Yes					
	Wall installation	No					
	California Title 24 Compliant	Yes					
	Mfg in ISO 9001 Certified Facility	Yes					

*Industry research indicates static pressure in typical installations ranges from 0.20" to 0.375".



EcoVent™ Ventilation Fan



FV-07VBA1A: Fan Housing
FV-07VBB1: Motor/Grille Assembly



Powerful CFM output overcomes **0.375"** static pressure to effectively remove moist, polluted air*

(See PQ Curve)

Universal Can Contractor Packs

- Ideal for new residential construction (High Performance / ENERGY STAR® Single Family Production Builders and Manufactured Housing)
- Pick-A-Flow™ airflow selector (70/90 CFM) spot ventilation solution
- Delivers a True Flow rating of 56 CFM at 0.375" static pressure (when set at the 90 CFM setting)
- Provides Ventilation Verification Assurance: ≥50 CFM Installed Performance
- Small grille design complements the aesthetics of your bathroom, powder room or laundry room
- Junction box and duct adapter come pre-attached to the housing can, saving you assembly time and money
- Housing and motor/grille packaged separately; reduces risk of parts being lost or damaged onsite

ADDITIONAL BENEFITS

- 4" duct adapter
- Built-in metal flange provides blocking for penetrations through drywall as an air barrier, and assists with the decrease in leakage in the building envelope during blower door testing
- UL listed for tub/shower enclosure when used with a GFCI protected circuit
- Can be used to comply with ASHRAE 62.2, LEED and ENERGY STAR for Homes 3.0
- 3 year warranty

* Industry research indicates static pressure in typical installations ranges from 0.20" to 0.375".



Panasonic Life Solutions Company of America
IAQ Division
Two Riverfront Plaza
Newark, NJ 07102
us.panasonic.com/ventfans

For Order Information
PHONE: 866-292-7299
FAX: 888-553-0723
ventfans@us.panasonic.com



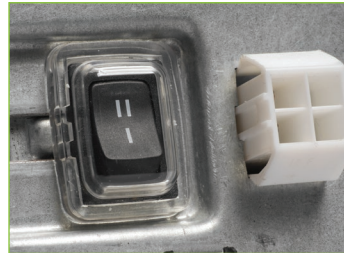
ADJUSTABLE AIRFLOW FOR
MAXIMUM PERFORMANCE

reinventingventing.com



COST EFFECTIVE, CODE COMPLIANT SPOT VENTILATION SOLUTION

EcoVent™ is the perfect solution for home builders looking for a cost effective, ENERGY STAR® rated fan that not only delivers powerful CFM output, but peace of mind during verification testing. So choose the powerful, eco-friendly solution that delivers the performance you need, from a company who sets the standard for quality and value.



Pick-A-Flow™ airflow selector
I = 70 CFM • II = 90 CFM

PICK-A-FLOW AIRFLOW SELECTOR

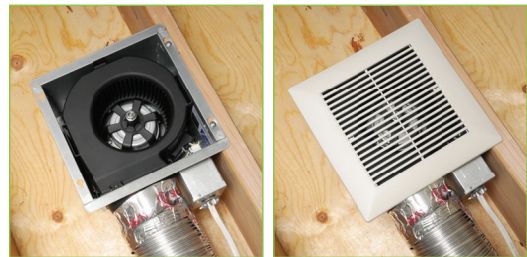
Raters are now verifying the airflow of installed ventilation fans prior to certifying that they meet ASHRAE 62.2, ENERGY STAR 3.0 for Homes, LEED for Homes, CA Title 24, CALGreen and most Green Building programs. With so many fans on the market failing to deliver designed airflow, you need to spare yourself the hassle of having to rip out an under-performing fan and replace it. EcoVent's built-in Pick-A-Flow™ airflow selector provides the CFM output you need to assure the fan meets designed airflow requirements and provides Ventilation Verification Assurance: >50 CFM Installed Performance.

SMALL GRILLE DESIGN

The EcoVent grille is a smaller footprint (roughly 46% smaller) than comparable ESTAR fans. This design complements the aesthetics of your room by minimizing visual clutter on the ceiling. This makes EcoVent™ an ideal solution for the bathroom, powder room or laundry room area.

UNIVERSAL CAN CONTRACTOR PACKS (PACKAGED IN 4 PACKS)

EcoVent™ is offered in contractor packs, whereby the housing and motor/grille assembly are packaged separately. This easy-to-manage package design allows contractors to store the components separately without the fear of parts getting lost or damaged on site.



4" Duct, 70/90 CFM
(Fits in 2" x 6" construction)



ECOVENT UNIVERSAL CAN CONTRACTOR PACKS

Model #	Description	Contents	Master Pack*
FV-07VBA1A	Universal Housing Can	Housing Can, Duct Adapter & Junction Box	4
FV-07VBB1	Motor/Grille Assembly	Motor & Grille	4

*Must order in quantities of 4, shipment will contain 1 box with 4 pieces of each item.



Balometer used to verify installed performance

PANASONIC SOLUTIONS PROVIDE VENTILATION VERIFICATION ASSURANCE

Measured Performance

Compliance with ASHRAE 62.2, the national ventilation standard, is now required for ENERGY STAR® for Homes 3.0

**ENERGY STAR 3.0
HVAC SYSTEM
QUALITY INSTALLATION
RATER CHECKLIST:**

- ✓ Measured ventilation rate is within 100-120% of HVAC contractor design value
- ✓ Rater shall measure ventilation and exhaust air flow using a flow hood, flow grid, anemometer or substantially equivalent method in accordance with AABC, NEBB or ASHRAE procedures
- ✓ **Intermittent bath fan measured air flow requirement >=50 CFM**
- ✓ Continuous supply and exhaust fans rated at 1.0 sones or less
- ✓ Exhaust-only whole-house mechanical ventilation system must be verified that the fan turns on automatically, without homeowner intervention
- ✓ All ventilation fans must be verified as ENERGY STAR certified

STATIC PRESSURE GRAPH

