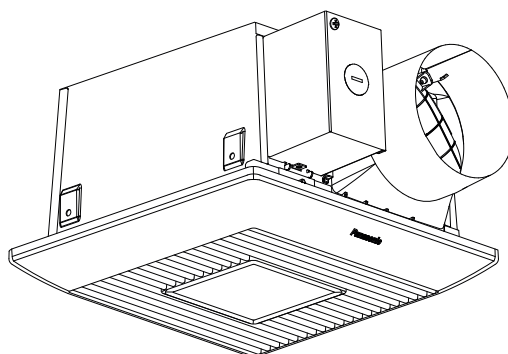


Service Manual

Ventilating Fan



FV-0709VBL1

⚠ WARNING

This service information is designed for experienced repair technicians only and is not designed for use by the general public. It does not contain warnings or cautions to advise non-technical individuals of potential dangers in attempting to service a product. Products powered by electricity should be serviced or repaired only by experienced professional technicians. Any attempt to service or repair the product or products dealt with in this service information by anyone else could result in serious injury or death.

IMPORTANT SAFETY NOTICE

There are special components used in this equipment which are important for safety. These parts are marked by ⚠ in the Schematic Diagrams, Exploded Views and Replacement Parts List. It is essential that these critical parts should be replaced with manufacturer's specified parts to prevent shock, fire or other hazards. Do not modify the original design without the manufacturer's approval. Please have a static electricity depletion process in place before handling these components. Please use gloves when handling PCB parts during the repair process.

CONTENTS	PAGE
1.Specifications-----	1
2.Parts Identification-----	2, 3
3.Wiring Diagram-----	4
4.Parts List-----	5

1. Specifications

FV-0709VBL1

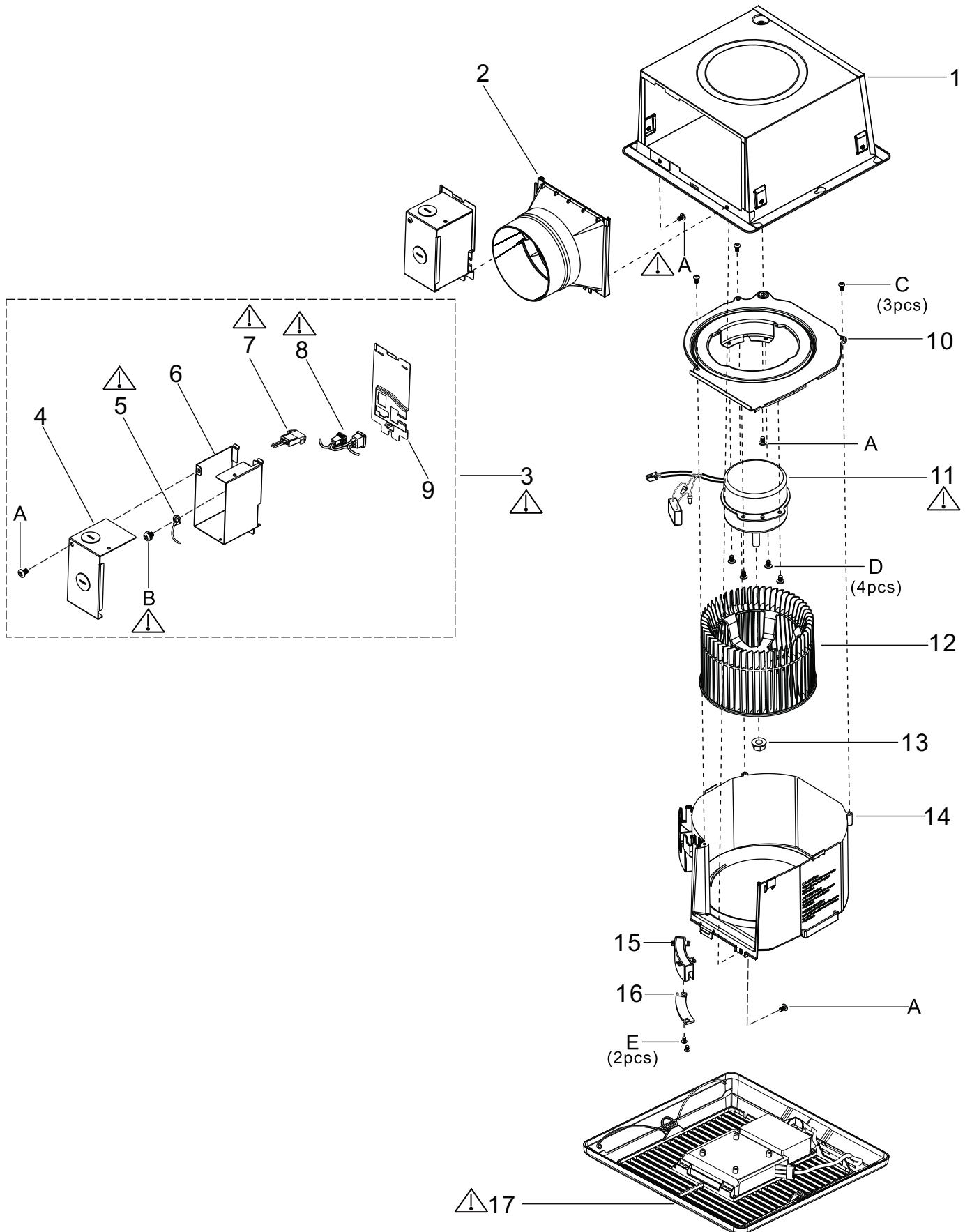
Speed	Air direction	Voltage (V)	Frequency (Hz)	Duct diameter (inches)	Air volume at 0.1" WG (CFM)	Noise (sones)	Speed (rpm)	Power consumption (W)	Weight lb. (kg)
I (Standard)	Exhaust	120	60	4	70	0.8	995	18.5	6.1(2.8)
II (Boost)	Exhaust	120	60	4	90	1.5	1115	23.1	

HVI Certified performance based on HVI Procedures 915, 916, 920.

2. Parts Identification

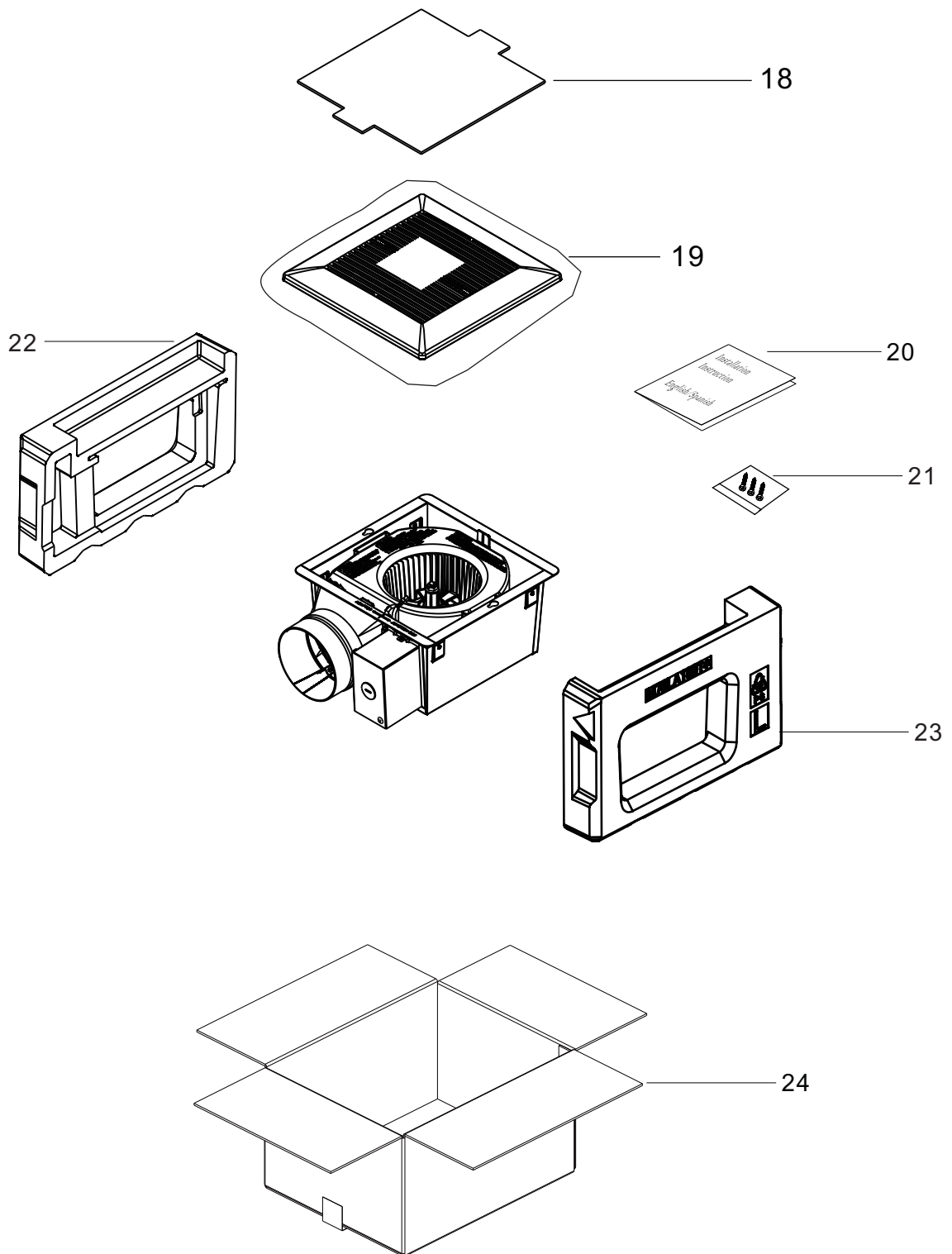
FV-0709VBL1

Main Body Section



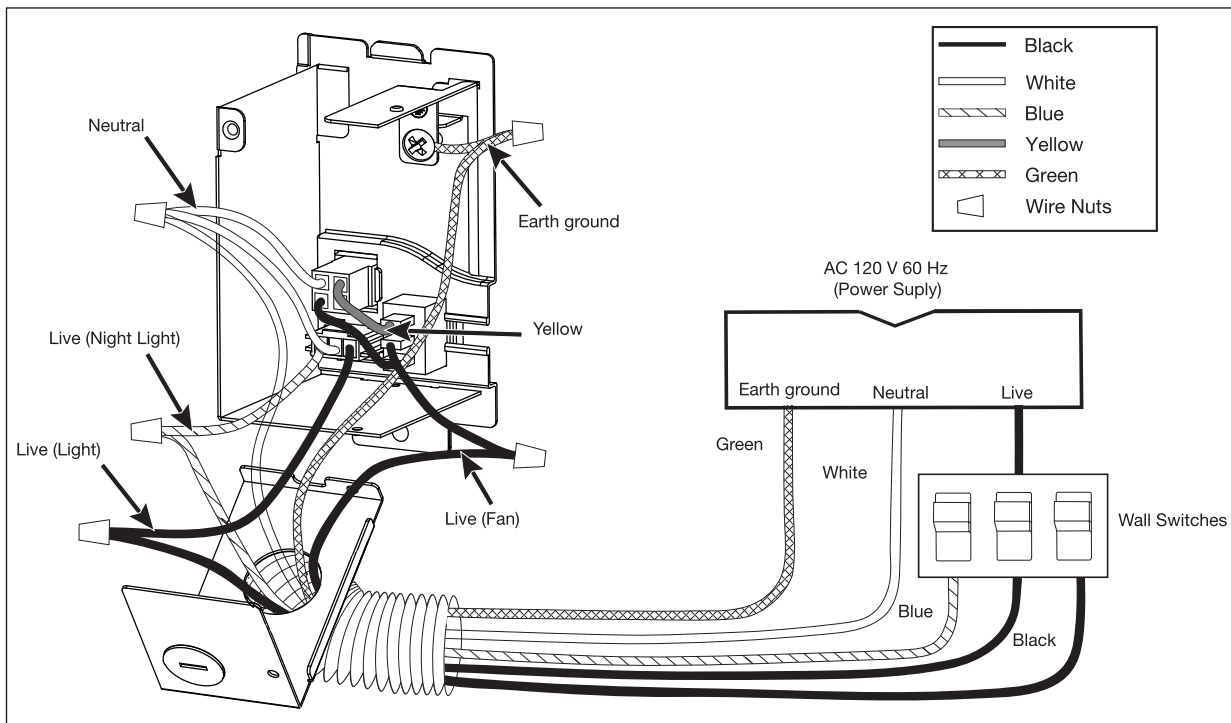
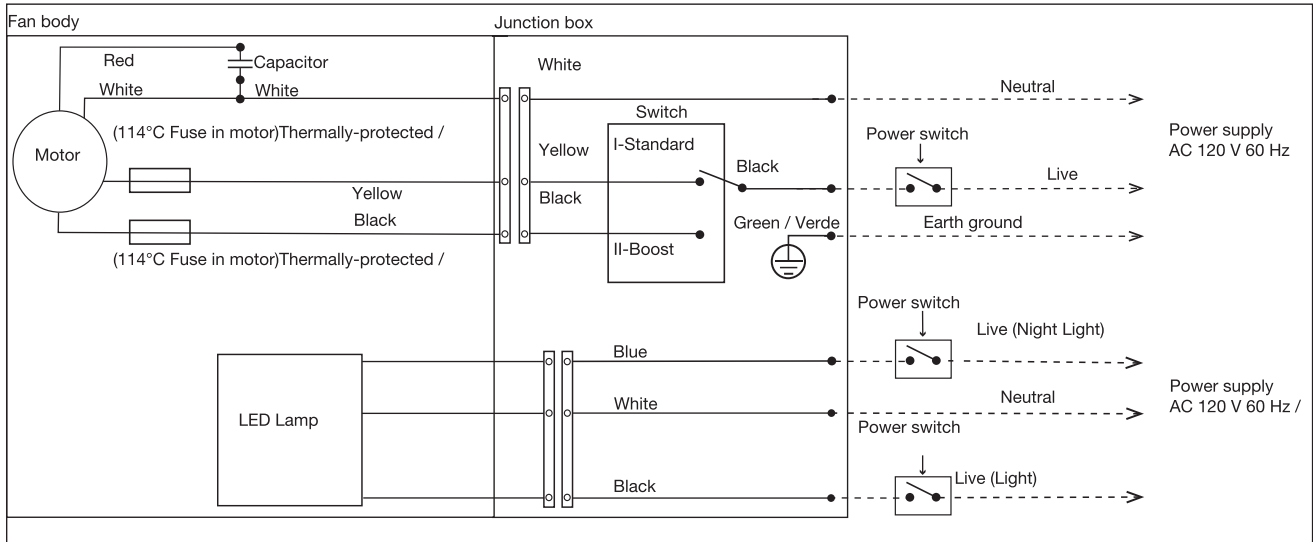
2. Parts Identification

FV-0709VBL1



3. Wiring diagram

FV-0709VBL1



4. Parts List

FV-0709VBL1

Main Body Section

No.	Part No.	Part Name	Q'ty	Remark
1	FFV709VB190	Frame Assembly	1	
2	FFV0000149S	Adapter Assembly	1	
3	FFV79LA9040	Junction Box Assy	1	⚠
4	FFV2800023S	Junction Cover	1	
5	FFV3450010S	Earth Lead Wire	1	⚠
6	FFV2800024S	Junction Box	1	
7	FFV15KSL331	Connector Assy L	1	⚠
8	FFV0900065S	Connector Assembly	1	⚠
9	FFV79LA1912	Connector Plate	1	
10	FFV3730118S	Motor Support	1	
11	FFV3730119S	Motor Unit	1	⚠
12	FFV0400116S	Blade	1	
13	FFV7020021S	Nut	1	
14	FFV0790110S	Casing	1	
15	FFV7VBB1M9	Connector Box	1	
16	FFV0900017S	Connector Box Cover	1	
17	FFV79LA1810	Grill Assembly	1	⚠
A	FFV7000202S	Blind Tap Screw	4	
B	FFVXYM4DC8BN	Screw w/washer(M4-8)	1	
C	FFV7000089S	Truss Tap Screw	3	
D	FFV7000074S	Truss Tap Screw	4	
E	FFV7000095S	Pan Tap Screw	2	

Packing Section

No.	Part No.	Part Name	Q'ty	Remark
18	FFV4710384S	Cover Pad	1	
19	FFV4650037S	Poly Cover	1	
20	FFV709VBL42	Inst. Instruction (ES)	1	
21	FFV7VBA1A43	Accessory A	1	
22	FFV79LA1892	Right Pad	1	
23	FFV79LA1891	Left Pad	1	
24	FFV709VBL14	Packing Case	1	