

Specification Submittal Data / Panasonic Ventilation Fan/Light
Description:

Ventilating fan shall be Low Noise ceiling mount type rated for continuous run. Fan shall be ENERGY STAR® rated and certified by the Home Ventilation Institute (HVI). Evaluated by Underwriters Laboratories and conform to both UL and cUL safety standards.

Motor/Blower:

- Four-pole totally enclosed condenser motor rated for continuous run.
- Pick-A-Flow® airflow selector (70/90 CFM) spot ventilation solution
- Delivers a true flow rating of 56 CFM at 0.375" static pressure (when set at the 90 CFM setting)
- Power Rating shall be 120 volts and 60 Hz.
- Fan shall be UL and cUL listed for tub/shower enclosure when used with a GFCI protected circuit and used in insulated ceiling
- Junction box and duct adapter comes pre-attached to the housing can
- Motor equipped with thermal cutoff fuse.
- Removable with permanently lubricated plug-in motor.

Housing:

- Galvanized steel body.
- Small, 4-3/4" housing depth
- 4" round diameter duct.
- Built in backdraft damper.
- Built in metal flange provides blocking for penetrations through drywall as an Air Barrier, and assists with the decrease in leakage in the Building Envelope during blower door testing.
- Simply mounts directly to the joist using 4 screws between top and side panels.

Grille:

- Small, attractive design using PP material.
- Attaches directly to housing with torsion springs.

LED Light:

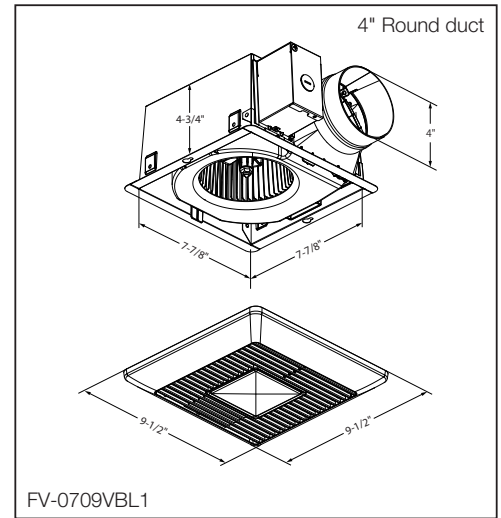
- 10W Light LED
- 800 Lumens
- 3000K Warm White Color Temperature
- <1W Nightlight LED

Warranty:

ALL Parts: For period of 3 years from the date of the original purchase.

Architectural Specifications:

Ventilation fan shall be ceiling mount, ENERGY STAR® rated with built in airflow selector. Select from 70/90 CFM with no more than 0.8/1.5 sones certified by the Home Ventilating Institute (HVI) at 0.1 w.g; with no less than 56/75 CFM and no more than 1.5/2.0 sones at 0.25 w.g. and 34/56 CFM at 0.375 w.g. (sones N/A at 0.375" w.g.). Power Consumption shall be no greater than 18.5 watts at 0.1 w.g 0.25 w.g. and 0.375 w.g. at the 70 CFM setting and 23.1 watts at 0.1 w.g., 0.25 w.g. and 0.375 w.g. at the 90CFM setting. ENERGY STAR® rated with efficiency of no less than 3.7 /3.8 CFM/watt at 0.1 w.g. and 3.0/3.3 CFM/watt at 0.25 w.g. and 1.7/2.3 CFM/watt at 0.375 w.g. The motor shall be totally enclosed, four pole condenser type engineered to run continuously. This fan meets designed airflow requirements and provides Ventilation Verification Assurance: ≥ 50 CFM Installed Performance. Power rating shall be 120v/60Hz. Duct diameter shall be no less than 4". Fan shall be UL and cUL listed for ceiling installation and tub/shower enclosure when used with a GFCI protected circuit. Fan can be used to comply with ASHRAE 62.2, LEED, ENERGY STAR®, IAP, EarthCraft, California Title-24 and WA Ventilation Code.



Panasonic
IAQ Division
 Two Riverfront Plaza
 Newark, NJ 07102
iaq.na.panasonic.com



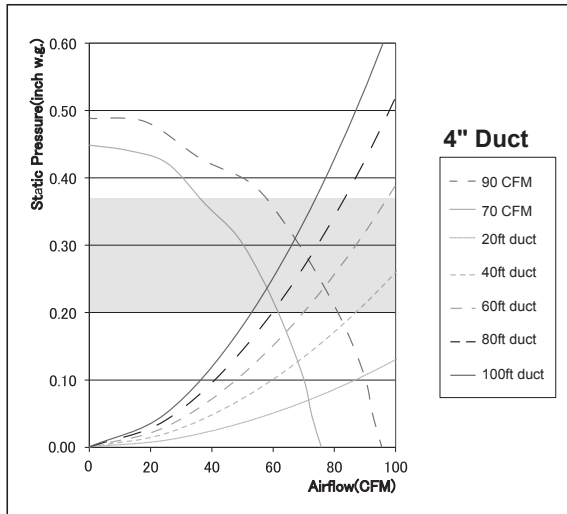
IAQ25342ST R4

Specification Submittal Data / Panasonic Ventilation Fan

Fan Specifications	EcoVent®: FV-0709VBL1			
	Fan Setting	Standard Speed (70 CFM)		High Speed (90 CFM)
Static Pressure in inches w.g.	0.1	0.25	0.1	0.25
Air Volume (CFM)	70	56	90	75
Noise (sones)	0.8	1.5	1.5	2
Power Consumption (watts)	18.5	17.9	23.1	22.5
Energy Efficiency (CFM/Watt)	3.7	3.0	3.8	3.3
Speed (RPM)	995	1267	1115	1338
Current (amps)	0.15	0.15	0.20	0.19
MAX. Current (amps)	0.25			
Power Rating (V/Hz)	120/60			
ENERGY STAR® Rated	Yes			
Lamp Watts	10			
Lumens (lm)	800+			
Lumens Per Watt (LPW)	>72			
Color Rendering Index	90			
Color Temperature (Kelvin)	3000 Warm White			
Rated Life (hours)	50,000			
Lamp Model #	MLFPDE1030S-V1			
Type of Lamp Socket	-			

*Industry research indicates static pressure in typical installations ranges from 0.20" to 0.375"

Performance Curve 4" Round duct



For complete Installation Instructions visit iaq.na.panasonic.com

Model	Quantity	Comments	Project:
			Location:
			Architect:
			Engineer:
			Contractor:
			Submitted by:
			Date:

Panasonic
IAQ Division
 Two Riverfront Plaza
 Newark, NJ 07102
iaq.na.panasonic.com

