

Split System Submittal Data

System: **E24RKUA** Indoor: **CS-E24RKUAW** Outdoor: **CU-E24RKUA**

Job Name: _____
 Location: _____
 Engineer: _____
 Submitted to: _____
 Submitted by: _____
 Reference: _____

Approval: _____
 Date: _____
 Construction: _____
 Unit#: _____
 Drawing#: _____

| General Data | |
|---------------------------------------|--------------------------------------|
| Power (V/P/Hz) | 230/208/1/60 |
| Circuit Ampacity (A) | 20 |
| Fuse Size, Max.(A) | 25 |
| Compressor | DC Twin Rotary (Inverter) |
| No. Used | 1 |
| Motor Type (No. of poles) | DC Brushless (4 poles) |
| Output Power | 1700 |
| Outdoor Unit | |
| Fan Type | Propeller |
| No. Speeds | Variable speed |
| Type Drive | Direct / DC Brushless Motor |
| No. Poles (RPM) | 8-730 |
| No. Motors (W) | 1-60 |
| CFM (Hi speed) | 1940 |
| Coil Type | Aluminum Fin and Copper Pipe |
| Fin Type - Pipe Type | Coated Corrugated fin - Inner Rifled |
| Rows x stage x F.P.I. | 2 x 36 x 19 |
| Size (W x H x L) | 1-13/32 x 29-25/32 x 34-7/32 |
| Tube Size (in.) | 9/32 |
| Indoor Unit | |
| Fan Type | Cross Flow |
| Motor Type, No. of Poles | DC Brushless, 8 poles |
| No. Speeds | Variable speed |
| RPM (Cool / Heat), High | 1,500 / 1,600 |
| No. Motors (W) | 1-94.8 |
| CFM (Qlo/Lo/Me/Hi/SHi) Cooling | 474/518/592/670/720 |
| CFM (Qlo/Lo/Me/Hi/SHi) Heating | 525/579/648/715/766 |
| Operating Sound-Hi/Me/Lo/ dB-A (Cool) | 48/40/37 |
| Operating Sound-Hi/Me/Lo/ dB-A (Heat) | 48/40/37 |
| Coil Type | Aluminum Plate Fin & Copper Tube |
| Fin Type - Pipe Type | Coated Slit Plate - Inner Rifled |
| Row x stage x FPI | 2 x 15 x 21 |
| Size | 1 x 12-13/32 x 31-7/8 |
| Tube Size (in.) | 9/32" |
| Drain Connection Size (in.) | 3/4" |
| Refrigerant | R410A |
| Oz - R410a (outdoor unit) | 65.3 |
| Refrigerant Control | Electronic Expansion Valve |
| Refrigerant Tubing Connections | Flare |



| Line Length, Max (ft.) | 100.0 |
|---------------------------------------|--------------------------------|
| Elevation Difference, Max (ft.) | 49.2 |
| Line Size (in. O.D. Discharge) | 1/4" |
| Line Size (in. O.D. Suction) | 5/8" |
| Pre-charge, tubing length at shipment | 32.8' |
| Dimensions (HxWxD) | |
| Indoor Unit (Crated) (in.) | 14-17//32 x 45-11/16 x 11-9/32 |
| Indoor Unit (Uncrated) (in.) | 11-7/16 x 42-5/32 x 9-15/32 |
| Outdoor Unit (Crated) (in.) | 34-25/32 x 41-5/16 x 19-1/8 |
| Outdoor Unit (Uncrated) (in.) | 31-5/16 x 34-15/32 x 12-5/8 |
| Weight (lbs.) | |
| (Indoor) Net | 26 |
| (Indoor) Shipping | 31 |
| (Outdoor) Net | 132 |
| (Outdoor) Shipping | 146 |

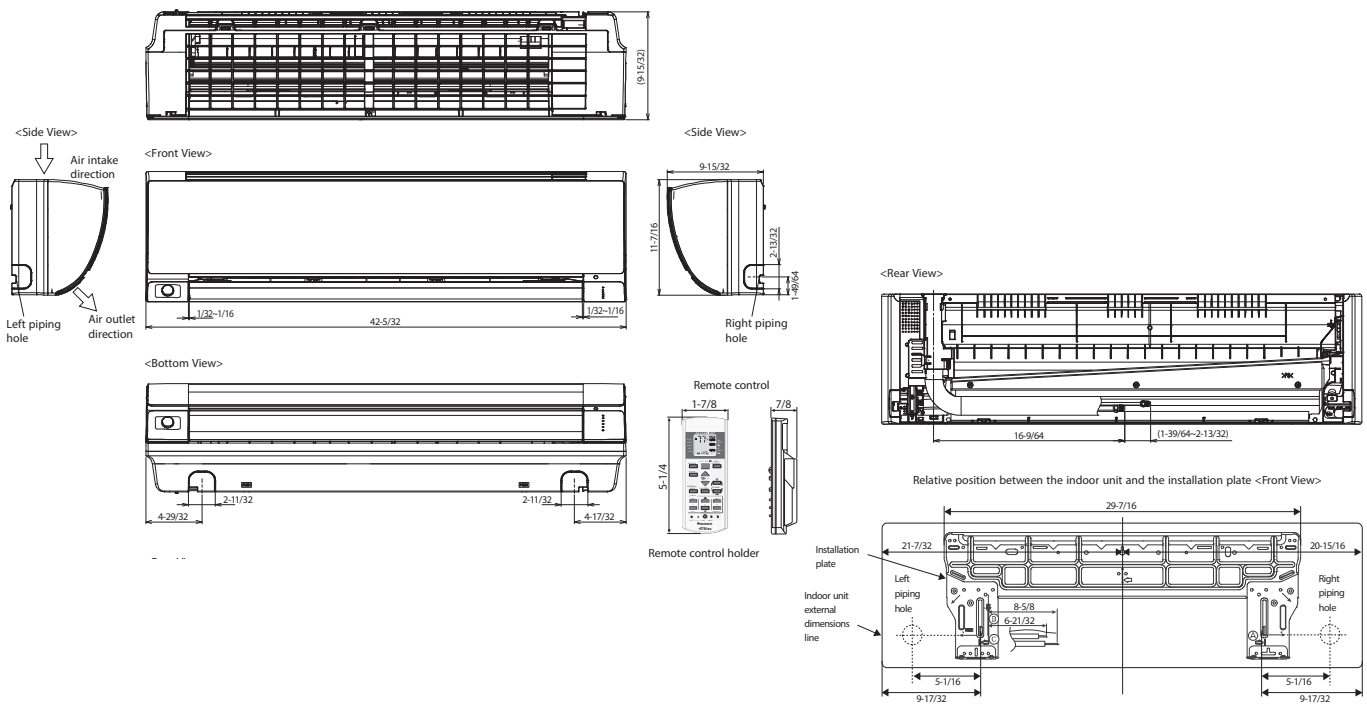
| Performance Data @ ARI Standard Conditions (230/208V) | |
|---|-----------------------|
| Cooling | |
| Total Capacity (BTU/H) | 24,000 (5,800-27,200) |
| Sensible Capacity (BTU/H) | 22,040 |
| Latent Capacity (BTU/H) | 1960 |
| SEER | 19.0 |
| Dehumidification (Pints/H) | 7.6 |
| Amps (A) | 10.8 |
| Power Inputs (W) | 2350 |
| Outdoor Sound Rating (dB-A) | 51 |
| Heating | |
| Total Capacity (BTU/H) | 28,800 (5,800-29,200) |
| HSPF | 10.0 |
| Amps (A) | 11.4 |
| Power Inputs (W) | 2500 |
| Outdoor Sounds Rating (dB-A) | 53 |

| Features | |
|--------------------------------------|--|
| Controls | Microprocessor |
| Remote Controller | LCD Wireless Type included as standard |
| Wired Remote Controller | Optional CZ-RD516C-1 |
| Temperature Control | IC Thermistor |
| Timer | Single Event Daily ON/OFF TIMER |
| Quiet mode | Included |
| High Power mode | Included |
| Air Louver, Horizontal | Automatic, Sweep, Step |
| Air Louver, Vertical | Automatic, Sweep, Step |
| Power Failure Automatic Restart | Built-In |
| Heating/Cooling Automatic Changeover | Built-In |
| Self-Diagnosis | Built-In |
| Air Filter | Washable, One-touch |

| Operating Range | Indoor Air Intake Temp | Outdoor Air Intake Temp |
|-----------------|------------------------|-------------------------|
| Cooling (Max) | 89.6F DB/73.4F WB | 114.8F DB |
| Cooling (Min) | 60.8F DB/51.8F WB | 0F DB |
| Heating (Max) | 86.0F DB | 75.2F DB/64.4F WB |
| Heating (Min) | 60.8DB | -4.0F DB/-5.8F WB |

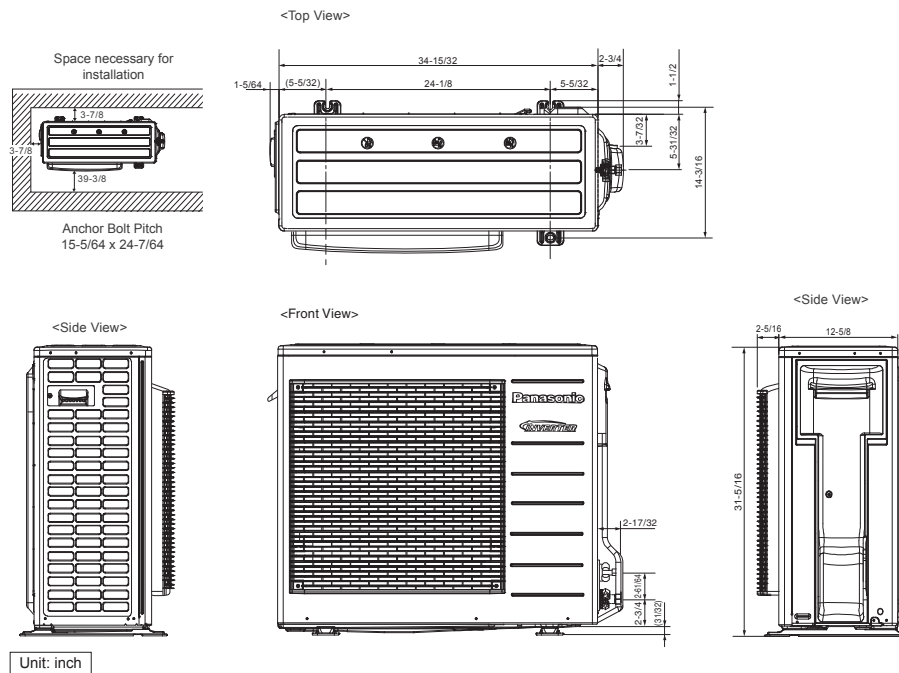


Indoor Dimensions



Unit: inch

Outdoor Dimensions



Unit: inch

Panasonic

Panasonic North America
 Air Conditioning Division
 1690 Roberts Blvd., NW, Suite 110
 Kennesaw, GA 30144
 us.panasonic.com/aircon