

Atmosphere Backdraft Dampers



Models:

BDD-4 – 4"
BDD-6 – 6"
BDD-8 – 8"
BDD-10 – 10"
BDD-12 – 12"

Keep "In" the Conditioned Air

Control the airflow in your ductwork to keep conditioned air inside and prevent outside air from coming in. You can better control the temperature, improve indoor air quality, and reduce energy costs by preventing your conditioned air from escaping.

KEY FEATURES

Durable Construction – The backdraft dampers are manufactured with galvanized steel and a neoprene damper seal to minimize leakage. Their exterior foam gaskets are designed to withstand temperatures from -22°F to 180°F, and ensure a quiet, sealed operation.

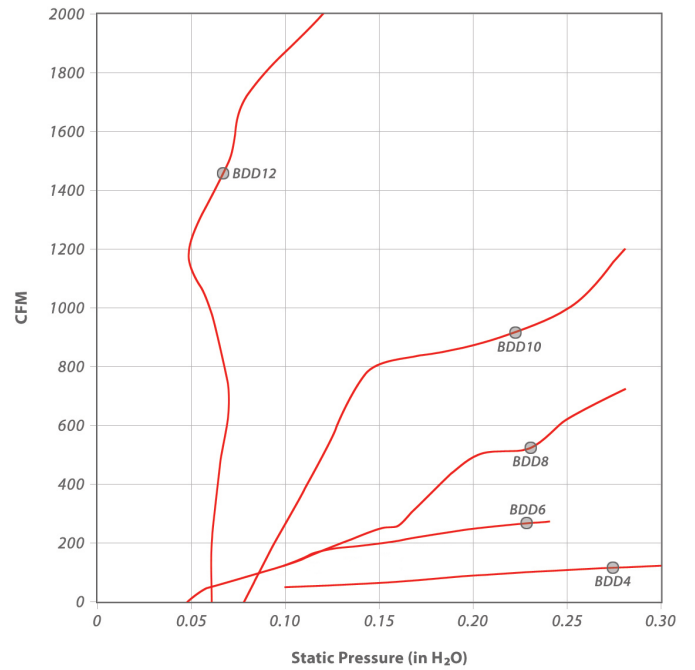
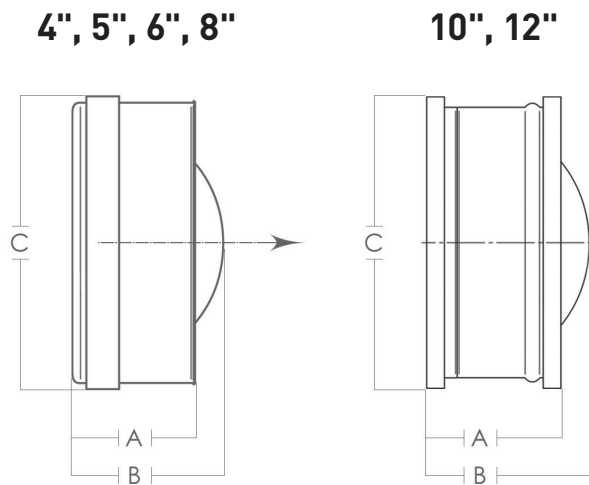
- Four-, six- and eight-inch models include stamped metal sleeves with a center pin design.
- Ten- and 12-inch models include rolled metal sleeves with a center post design.

Operation – These spring-loaded backdraft damper blades require from 0.04" to 0.08" w.g. pressure to open. They prevent contaminated air from flowing back into a space when the fan is not running.

Simple Installation – The entire assembly inserts into the duct.

Application – For use with the Atmosphere Vortex Series of in-line fans and Atmosphere Dryer Exhaust Duct Power Ventilators.

Atmosphere Backdraft Dampers



MODEL	A	B	C (Nominal)	GAUGE
BDD4"	1.8	2.0	4	20
BDD6"	2.5	3.0	6	20
BDD8"	2.8	3.8	8	20
BDD10"	4.8	6.0	10	20
BDD12"	6.3	6.8	12	20

All dimensions in inches



Panasonic IAQ Division
Two Riverfront Plaza
Newark, NJ
iaq.na.panasonic.com

For Order Information
Phone: 866-292-7299
Fax: 888-553-0723
ventfans@us.panasonic.com

