

Job Name : \_\_\_\_\_  
 Purchaser : \_\_\_\_\_  
 Engineer : \_\_\_\_\_  
 Submitted To : \_\_\_\_\_  
 Submitted By : \_\_\_\_\_  
 Unit Designation : Schedule No.: \_\_\_\_\_

Location : \_\_\_\_\_  
 P.O. No. : \_\_\_\_\_  
 Architect : \_\_\_\_\_  
 Date : \_\_\_\_\_  
 For :  Reference  Approval  Construction  
 Model No.: \_\_\_\_\_



**Submittal Data : LMCN125HV Flex Multi-Split Ceiling Cassette**

**Standard Features :**

- Two Year Functional Parts Warranty
- Five Year Compressor Warranty
- Inverter (Variable speed compressor)
- Jet Cool
- Plasma air purifying system (option)
- Auto operation (Artificial intelligence)
- Auto restart



Wireless Remote Controller included in indoor unit package

**Performance**

Capacity* (BTU/h)	12,000 Class
Fan Air Flow Rate (CMM)	9.5/8.0/7.0
(CFM)	335/282/247
Dehumidification Rate (pts/h)	4.2
Sound Level H/M/L (dB(A)+3)	38/35/32

**Dimensions (WxHxD)**

Body (inches)	22 7/16 x 8 7/16 x 22 7/16
Decorative Panel (inches)	27 1/2 x 1 3/16 x 27 1/2
Net Weight Body (lbs)	30.9
Net Weight Decorative Panel (lbs)	6.6

**Electrical :**

Running Current (A)	0.25
Power Supply (V, Hz, Ph)	208~230, 60, 1

1. Capacities are based on the following conditions :

- Cooling : - Indoor Temperature 80°F DB / 67°F WB
- Outdoor Temperature 95°F DB / 75°F WB

- Heating : - Indoor Temperature 70°F DB / 60°F WB
- Outdoor Temperature 47°F DB / 43°F WB

- Piping Length : - Interconnecting Piping Length 24.6ft.
- Level Difference of Zero

2. Wiring cable size must comply with the applicable local and national code.
3. The specification may be subject to change without prior notice for purpose of improvement.
4. For more capacity(\*) information, refer to the combination tables.

**Piping Connections**

Liquid (inches)	1/4
Gas (inches)	3/8
Drain OD, ID (inches)	1 1/4 , 1
Temperature Sensor	Thermistor
Refrigerant	R-410A
Power/Transmission interunit Cable (No.x AWG)	4 x 18
Additional Refrigerant (oz./ft)	0.22
Max. Length Each Pipe	82'
Max. Elevation	49'

**Accessory Option :**

- PI485 for LGAP connection – PMNFP14A0
- Wired Wall Thermostat – PQRUSA1, PQRUCS0C
- Plasma kit – PTPKQ0



PQRUSA1



PQRUCS0C

**Note :**



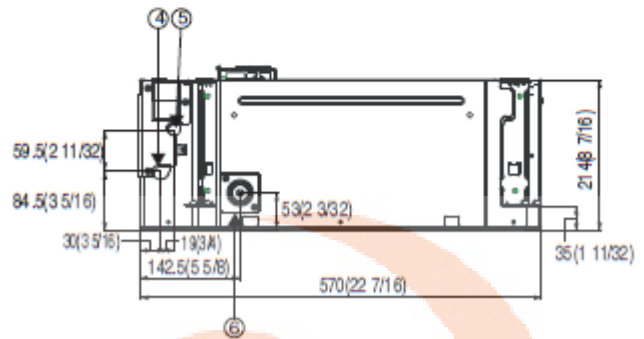
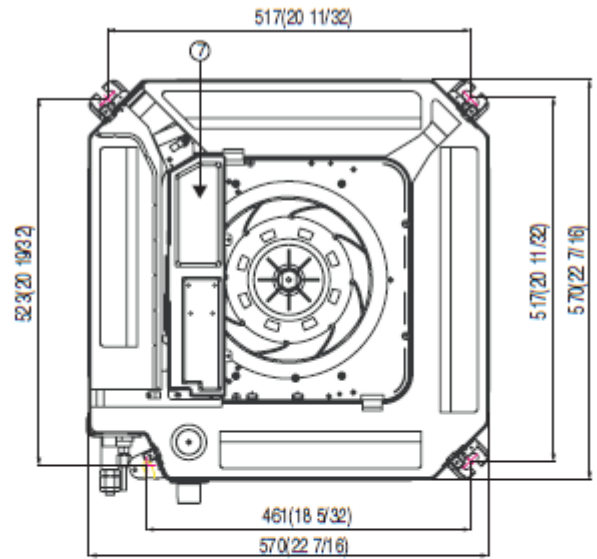
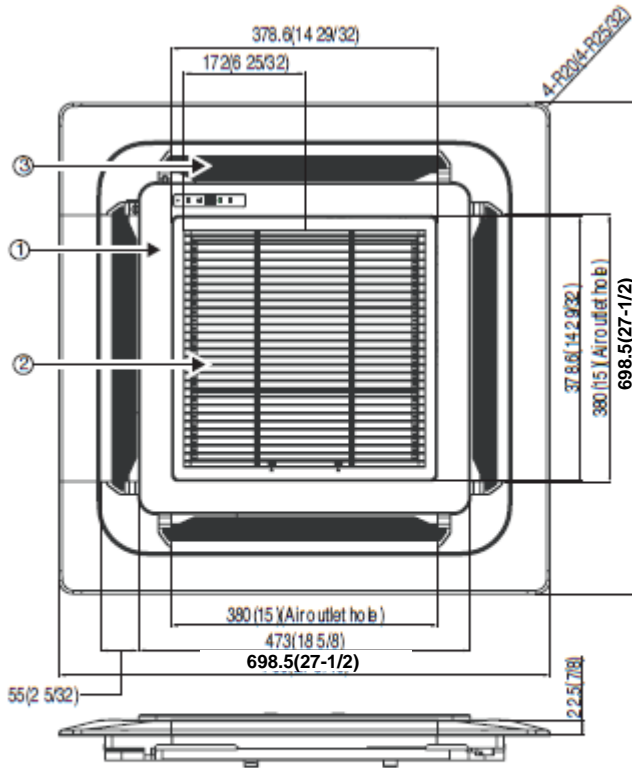
# Submittal Data : LMCN125HV

Flex Multi-Split Ceiling Cassette



Model : PQWRHDF0

## Dimensions :



Unit : mm(inch)

No.	Part Name	Remark
1	Decoration panel	
2	Air suction grille	
3	Air discharge grille	
4	Gas pipe connection	
5	Liquid pipe connection	
6	Drain pipe connection	
7	Power supply connection	