

Fig. 3: PRESTIGE Solo 60/110 Jacket Components

| Item | Part # | Description |
|------|------------|-------------------------------------|
| 1 | PTJKT10R | Rear Panel |
| 2 | PTJKT08F | Front Jacket Panel |
| 3 | PTRKIT129 | Control Enclosure Bezel |
| 4 | PTJKT22S | Side Jacket Panel (Left or Right) |
| 5 | PTJKT14T | Top Jacket Panel |
| 6 | PTJKT18T | Top Jacket Access Panel |
| 7 | PSRKIT21 | Wall Mounting Bracket with Hardware |
| 8 | PTJKTSUP02 | Support - Boiler Supply Piping |
| 9 | PTJKTSUP03 | Support - Boiler Return Piping |
| 10 | PTJKTSUP01 | Support - Jacket |

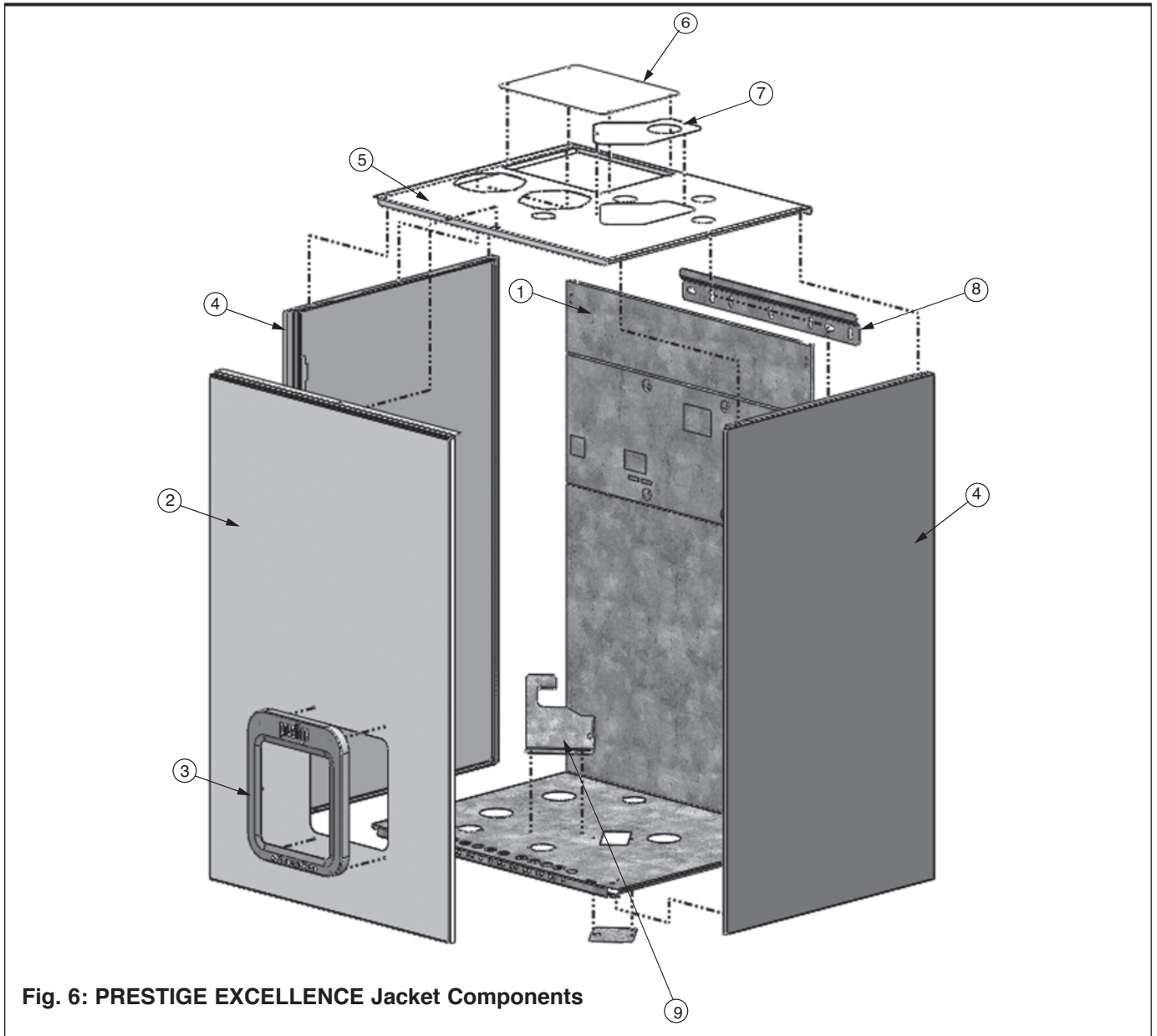


Fig. 6: PRESTIGE EXCELLENCE Jacket Components

| Item | Part # | Description |
|------|------------|-------------------------------------|
| 1 | PTJKT11R | Rear Panel |
| 2 | PTJKT09F | Front Jacket Panel |
| 3 | PTRKIT129 | Control Enclosure Bezel |
| 4 | PTJKT23S | Side Jacket Panel (Left or Right) |
| 5 | PTJKT15T | Top Jacket Panel |
| 6 | PEJKT02 | Top Jacket Panel - Blower Access |
| 7 | PEJKT03 | Top Jacket Panel - IDWH Access |
| 8 | PSRKIT21 | Wall Mounting Bracket with Hardware |
| 9 | PTJKTSUP03 | Support - Boiler Return Piping |