

Job Name/Location:

Tag #:

Date:

For: File Resubmit

PO No.:

Approval Other _____

Architect: _____ GC: _____

Engr: _____ Mech: _____

Rep: _____

(Company) _____ (Project Manager)



Packaged Terminal Air Conditioners (PTAC) Heating & Cooling Models



Model	Cooling Capacity (Btu/h)	EER ¹	Heating Capacity (Btu/h)	COP ²	Net Weight (lbs)	Shipping Weight (lbs)	Sound Pressure IDU ³ /ODU ⁴ (dBA)	Air Circulation H/L (CFM)	Dehumidification (pts/hr)	Power Supply (V/Hz/Ph)	Electric Heater (kW)	MOP ⁵ (A)	MCA ⁶ (A)	Cooling Rated Amps (A)	Heating Rated Amps (A)	Cooling Power Input (W)	Heating Power Input (W)
LP073CD2A	7,200/7,400	11.6	-	-	93.0	105.3	45/61	247/212	1.6	208-230/60/1	2.4/2.5	15	14.6	3.0/2.9	-	620/635	-
LP073CD3A	7,200/7,400	11.6	-	-	93.0	105.3	45/61	247/212	2.0	208-230/60/1	3.1/3.5	20	19.2	3.0/2.9	-	620/635	-
LP093CD3A	8,800/9,000	11.0	-	-	101.6	113.9	46/61	255/220	2.3	208-230/60/1	3.1/3.5	20	19.2	4.2/3.8	-	800/820	-
LP123CD3A	11,600/11,800	10.6	-	-	101.6	113.9	50/63	353/318	2.8	208-230/60/1	3.1/3.5	20	19.3	5.4/4.9	-	1,094/1,113	-
LP153CD3A	14,100/14,300	9.2	-	-	105.8	118.1	50/63	388/353	3.9	208-230/60/1	3.1/3.5	20	19.3	7.6/6.9	-	1,532/1,554	-
LP153CD5A	14,100/14,300	9.2	-	-	105.8	118.1	50/63	388/353	4.4	208-230/60/1	4.6/5.0	30	26.3	7.6/6.9	-	1,530/1,550	-

1: EER - Energy Efficiency Ratio
 2: COP - Coefficient of Performance
 3: IDU - Indoor Unit
 4: ODU - Outdoor Unit
 5: MOP - Maximum Overcurrent Protection
 6: MCA - Minimum Circuit Ampacity

Standard Features:

- Limited Warranty with LG Certified Installation
 - Limited Five Year Parts and Labor Warranty on sealed refrigerant system
 - Limited One Year Full System Warranty on Parts and Labor, 2-5 Year Parts
- 6.3 ft power cord
- Auto restart
- Digital control display
- Dip switch setting for temperature limiting
- Energy saver mode
- Freeze room protection
- Fresh air ventilation (70 CFM @ 0.3 external static pressure (ESP) with open damper door)
- Front desk control
- GoldFin™ anti-corrosion treatment for condenser
- High energy efficiency
- Temperature display on unit
- Ultra-quiet operation

Optional Accessories:

- Wall Sleeve - 42"W x 16"H x 13-3/4"D (AYSVB01A)
- Stamped Aluminum Grille (AYRGALA01)
- Architecture Grille - Aluminum (AYAGALA01A)
- Architecture Grille - Dark Bronze (AYAGALB01A)
- Architecture Grille - Soft Dove (AYAGALC01A)
- Sub Base 208-230V 20A (AYSB1101A)
- Sub Base 208-230V 30A (AYSB2101A)
- Lateral Duct Kit (AYLD1A)
- Built-in Control Cover Kit 10 Pack (AYRE110)
- Wall Thermostat Connection Kit (AYWH101)
- EMS/Front Desk Control Connection Kit (AYFD101)
- Condensate Drain Kit (AYDR101)
- Hard Wire Kit (AYHW101)
- Replacement Filter 10 Pack (AYFT110)
- Control Panel Key Lock (AYCO101)
- Fuse Holder Kit 208-230V 30A (AYFH1401)

Optional Wall Thermostats

- Wired Wall Thermostat (PYRCUCA0A)
- Wireless Wall Thermostat (PYRUCC0A)
- Current Tap for Wireless Thermostat (PYRUCC1A)
- Adapter Kit for Wireless Thermostat for GE (PYADTGE1A)
- Adapter Kit for Wireless Thermostat for Amana (PYADTAM1A)

For continual product development, LG reserves the right to change specifications without notice.

Job Name/Location:

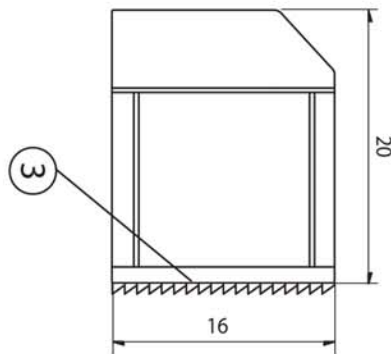
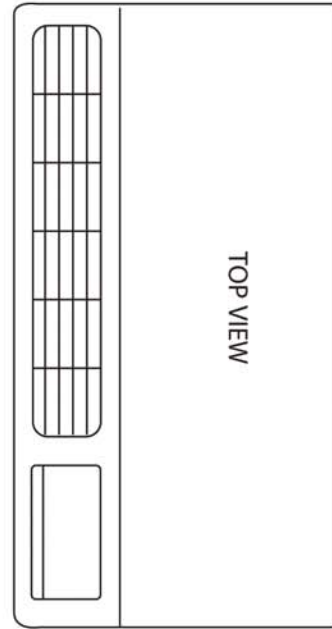
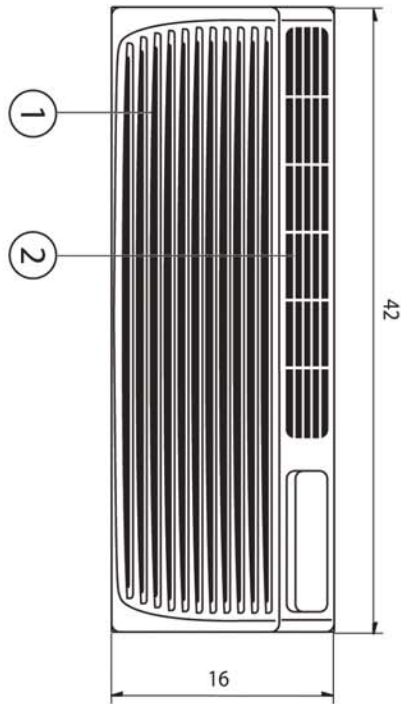
Packaged Terminal Air Conditioners (PTAC) Heating & Cooling Models



Tag #:

Date:

PO No.:



Unit: inch

Item No.	Part name	Remarks
1	Inlet Grille	
2	Vertical Air Deflector	
3	Architectural Grille	