

For Residential and Commercial Applications

Job Name		Engineer / Architect	
Job Location		Wholesaler	
Submittal Date		Contractor	

PLB205X 1/4 Turn Straight Stop – CPVC x Compression

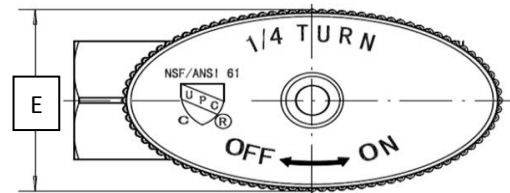
Use: For use only in potable water distribution systems, hot and cold, in accessible locations only

Part Listing:

- PLB205X B 1/2" nom CPVC x 3/8" OD compression, chrome plated, bulk

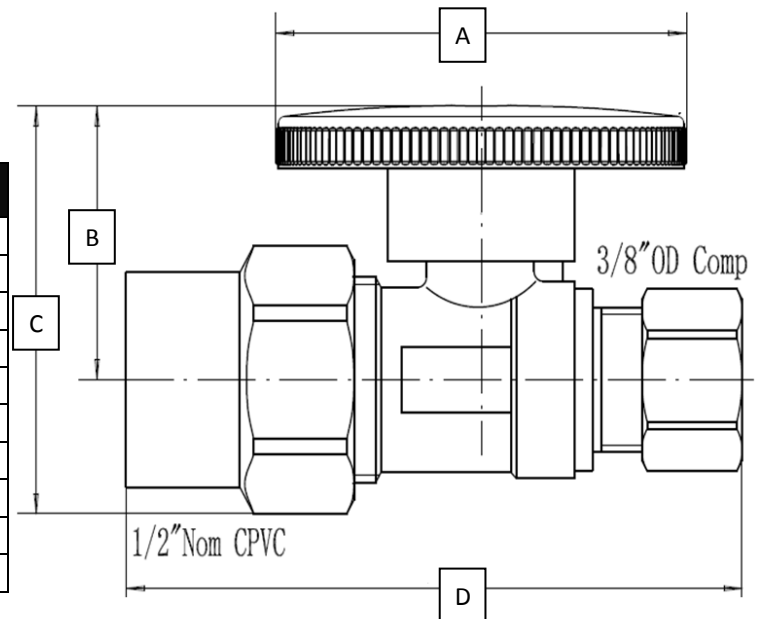


PART DIMENSIONS (Inches)					
Model	DIM. A	DIM. B	DIM. C	DIM. D	DIM. E
PLB205X	1.77	1.12	1.64	2.66	.94



Operating Specifications	
Temperature	Pressure
40°- 140° F	125 PSI maximum

MATERIAL SPECIFICATIONS	
Body	Low lead brass, chrome plated
Stem	Low lead brass
Ball	Low lead brass, chrome plated
Seats	PTFE
O-ring	NBR
Handle	ABS, chrome plated
Handle Screw	Stainless steel
Compression Nut	Brass, chrome plated
Compression Sleeve	Brass
Adaptor	Low lead brass, chrome plated



Listings & Certifications:

- IAPMO listed to ASME A112.18.1 / CSA B125.1 (File #8425)
- IAPMO listed to NSF / ANSI 372 for No-Lead (File #8427)
- IAPMO listed to NSF61 (File #N-8426)



This specification and all information contained herein is the confidential and exclusive property of BrassCraft Manufacturing, and shall not be disclosed to others without the written consent of BrassCraft Mfg. This specification must be returned to BrassCraft Mfg. if requested.