

Flush Mount Pedestal with Internal Mounting Bracket



Cat. Nos. 1PF18 and 1PF24

WARNINGS:

- **TO AVOID FIRE, SHOCK OR DEATH: TURN OFF POWER AT CIRCUIT BREAKER OR FUSE AND TEST THAT THE POWER IS OFF BEFORE WIRING!**
- To be installed and/or used in accordance with electrical codes and regulations.
- If you are not sure about any part of these instructions, consult an electrician.

CAUTIONS:

- Splices, if necessary, must be made with proper splicing equipment, materials or kits.
- No user serviceable components. **DO NOT** attempt to service or repair.

PK-A3466-10-00-0B

INSTALLATION INSTRUCTIONS

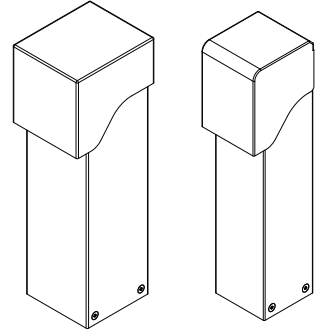
ENGLISH

Overview

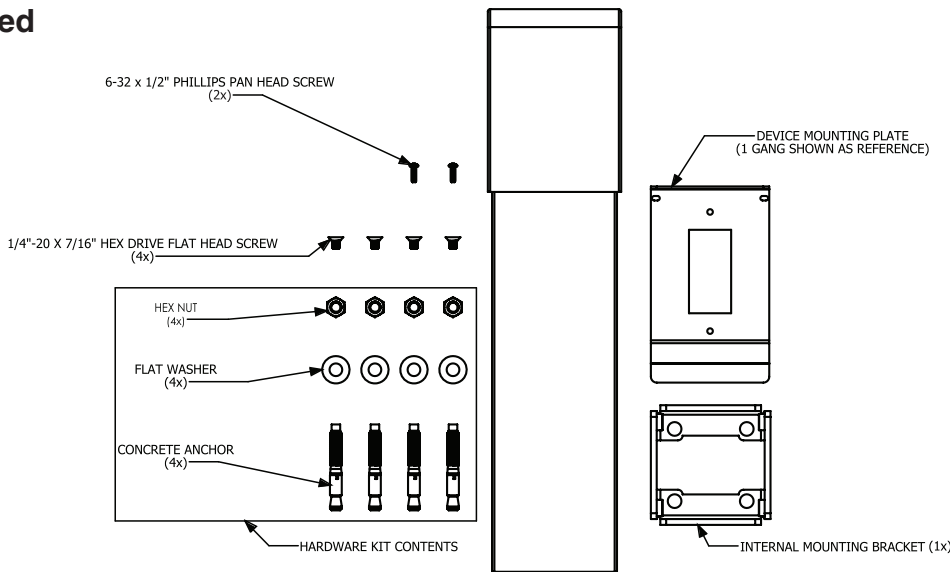
Each model can accommodate one or two conduit raceways. There are four, 7/16 in. holes on the internal mounting bracket. They are secured to a flat surface with the provided hardware. The pedestal can be used with a UL/C-UL listed (RTRT/RTRT7) receptacle rated at 60A maximum, and a UL/C-UL listed switch (WFXV/WFXV7) rated at 60A maximum.

NOTE: All 12 in. heights are for special applications only, as they do not meet UL Standard 1773, paragraph 5.3.1.

"The distance between the marked final grade level of the mounting post/pedestal and the lowest live part shall not be less than 12 in." These models may be used in applications that extend the height requirement to allow for that 12 in. distance. Examples are concrete columns, piers, and indoor installations that do not require a "3R" rating. Low voltage for communication applications, such as data, voice, Ethernet, or speaker wiring can be located lower than the 12 in. minimum.



What Is Included

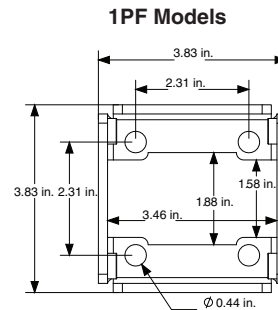
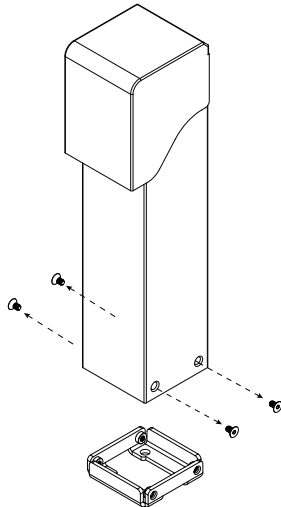
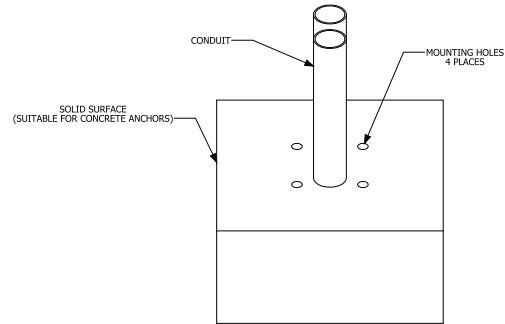


Installation

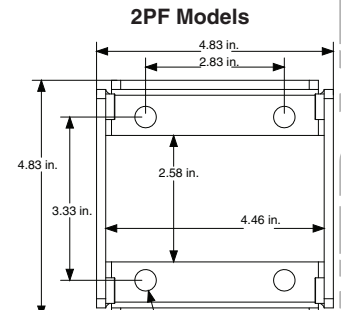
1. Remove internal mounting bracket located inside the bottom of the pedestal. Use a 5/32 in. Allen wrench or hex drive bit to remove the four screws on the bottom of the pedestal.

NOTE: Do NOT discard the bracket or screws, as you will re-install them in a later step.

2. Use the supplied internal mounting bracket as a template, or use the dimensions shown in the diagram, and drill four mounting holes.



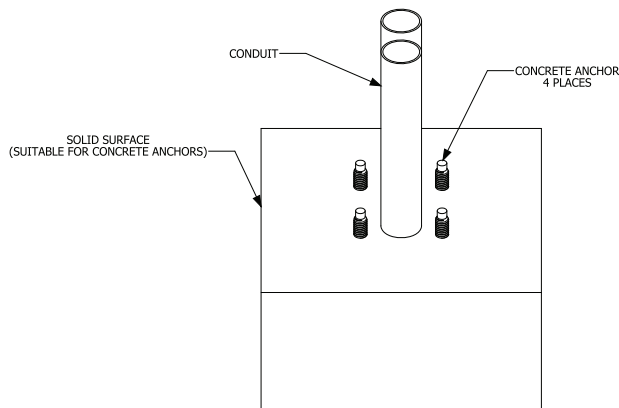
Can Accommodate:
Two 1 1/4 in. Conduits



Can Accommodate:
Two 1 1/2 in. Conduits

WEB VERSION

3. Install the four anchors.

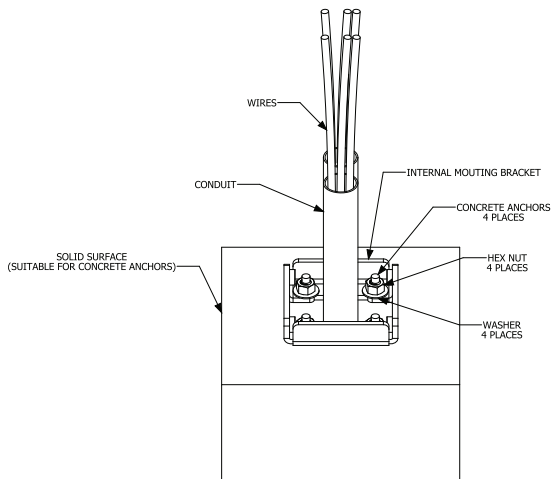


4. Install the internal mounting bracket on the four anchors with four washers and four hex nuts.

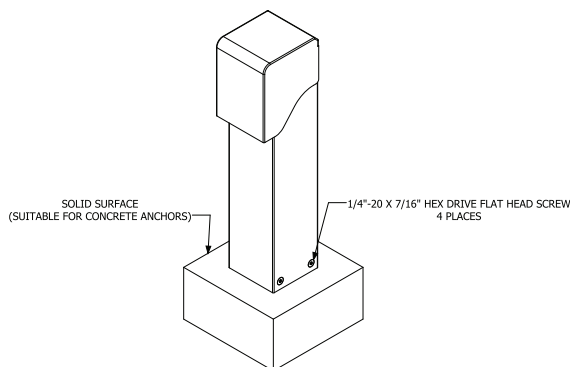
5. Pull wires to desired length.

NOTES:

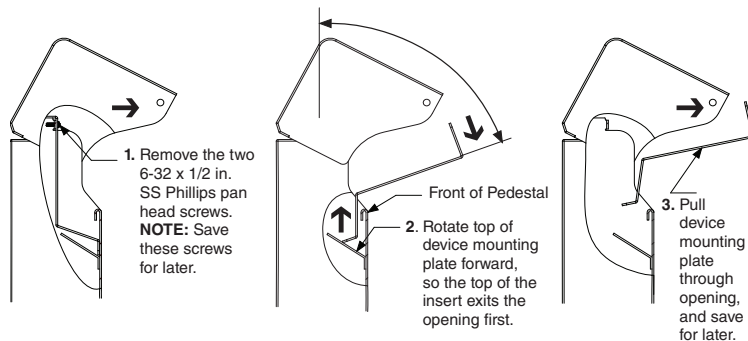
- Do not fasten conduits, raceways, or cables to the pedestal. Form "S" loops with the cables and wires to prevent stress on the wires inside the enclosure. This ensures that the cables and wires have adequate room to adjust for grade-level changes caused by freezing and thawing cycles, and soil subsidence.
- Ground wires, included with the supply conductors only, connect to the pedestal's ground terminal.



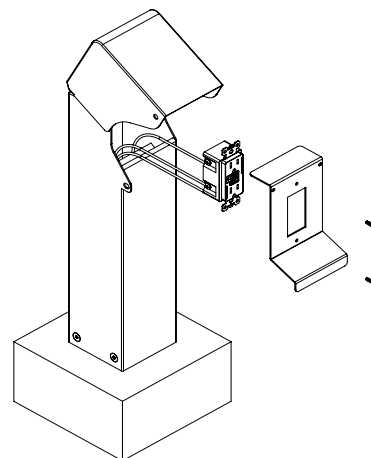
6. Install pedestal over internal mounting bracket using four (4) 1/4 in.-20 x 7/16 in. hex drive flat head screws.



7. Remove device mounting plate by removing the two (2) 6-32 x 1/2 in. SS Phillips pan head screws. Follow steps 1-3, as shown in the images below.

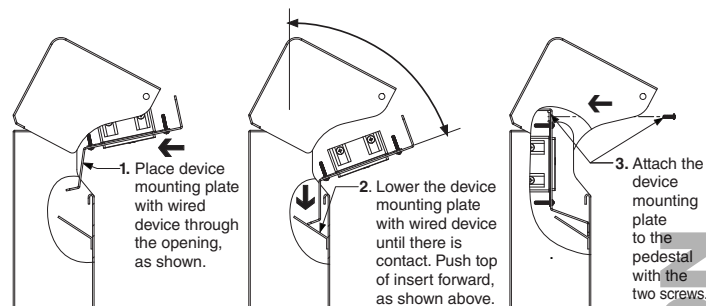


8. Terminate the wires to the receptacle, and install the device mounting plate with the screws supplied. (The image shown below is a GFCI receptacle and a single-gang device mounting plate.)



9. Place the wired device mounting plate into the pedestal by following steps 1-3, as shown in the images below.

NOTE: Images are shown without wires for reference only.



FOR CANADA ONLY

For warranty information and/or product returns, residents of Canada should contact Leviton in writing at **Leviton Manufacturing of Canada ULC** to the attention of the **Quality Assurance Department, 165 Hymus Blvd, Pointe-Claire (Quebec), Canada H9R 1E9** or by telephone at **1-800-405-5320**.

LIMITED 1 YEAR WARRANTY AND EXCLUSIONS

Leviton warrants to the original consumer purchaser and not for the benefit of anyone else that this product at the time of its sale by Leviton is free of defects in materials and workmanship under normal and proper use for one year from the purchase date. Leviton's only obligation is to correct such defects by repair or replacement, at its option. **For details visit www.leviton.com or call 1-800-824-3005.** This warranty excludes and there is disclaimed liability for labor for removal of this product or reinstallation. This warranty is void if this product is installed improperly or in an improper environment, overloaded, misused, opened, abused, or altered in any manner, or is not used under normal operating conditions or not in accordance with any labels or instructions. **There are no other or implied warranties of any kind, including merchantability and fitness for a particular purpose,** but if any implied warranty is required by the applicable jurisdiction, the duration of any such implied warranty, including merchantability and fitness for a particular purpose, is limited to one year. **Leviton is not liable for incidental, indirect, special, or consequential damages, including without limitation, damage to, or loss of use of, any equipment, lost sales or profits or delay or failure to perform this warranty obligation.** The remedies provided herein are the exclusive remedies under this warranty, whether based on contract, tort or otherwise.

VERSION B