

Pin and Sleeve Mechanical Interlock

20A, 30A, 60A, & 100A (Non-Fused) and 20A, 30A, & 60A (Fused)

WARNINGS

- **TO AVOID FIRE, SHOCK, OR DEATH, TURN OFF POWER AT CIRCUIT BREAKER OR FUSE, TEST THAT POWER IS OFF BEFORE SERVICING OR WIRING** and ensure connections are made in the same sequence as existing device connections.
- Should be installed by an electrician.
- Separate overcurrent protection must be provided in accordance with the NEC Article 220 or CEC Section B as appropriate. Overcurrent protection must not exceed the ampere rating of the receptacle per NEC Section 430-42 (C) or CEC Part 1, Rule 28-602(3)(C)(I).
- The lockout feature does not interrupt the power supplied to the switch.

CAUTIONS

- Check to see that the rating marked on device is correct for the intended installation.
- Device is suitable for use on circuit capable of delivering not more than 600 VAC maximum. For fused items, use Class J fuses.
- Cover cannot be removed when handle is in the ON position or when plug is inserted.
- This enclosure must always be mounted vertically with receptacle end down.
- To be installed and/or used in accordance with electrical codes and regulations (Including NEC/CEC, as applicable).
- Use this device with copper or copper clad wire only.

INSTALLATION INSTRUCTIONS

ENGLISH

Features

- Provides ON/OFF switched control of a directly connected load.
- Meets the requirements of Outdoor/Indoor (IP 66/67/68 & IP69K, Type 3R, 4X, watertight, corrosion resistant) and indoor (Type 12 dust tight) installations.
- This enclosure provides lockout capability in compliance with OSHA Lockout/Tagout Regulation 29 CFR Part 1910.147 (in the OFF position) with a 1/4 in. (6mm) acceptable padlock/shackle, thereby assuring the connected equipment cannot be energized.
- Auxiliary contact opens prior to the line contacts for pilot duty switching.
- Plug must be fully inserted into receptacle for handle to be turned to the ON position and plug cannot be removed from receptacle until handle is turned to OFF position.

NOTE: Auxiliary contact is sold separately.

NOTE: This enclosure must not be used as a junction box for feed-through connections.

NOTE: Plug must be fully inserted into receptacle for handle to be turned to ON position. Handle must be turned to OFF position to remove plug from receptacle.

Included:

- (1) Grounding bracket with grounding wiring
- (4) Mounting feet
- (4) #8-16 x 7/8 in thread cutting screws

You will need:

- (4) Hardware to mount interlock to wall surface

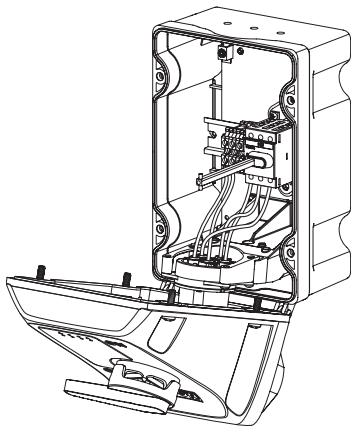
Installation

1. Wall Mount

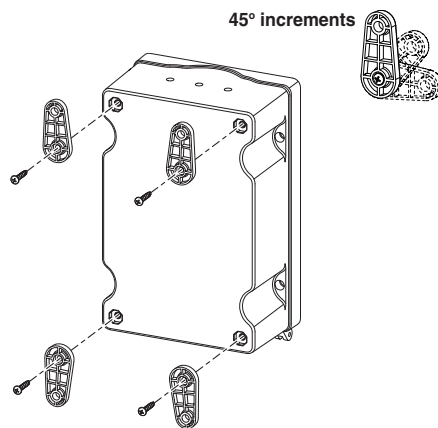
CAUTION: Enclosure must be mounted vertically and level with receptacle end down.

a. Loosen screws.

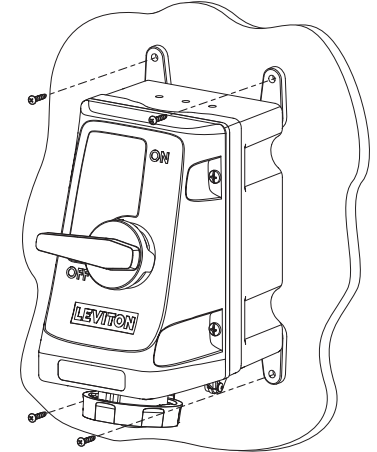
Open cover and remove the provided bag of mounting hardware and the conduit grounding plate.



b. Attach mounting feet in the chosen position and tighten provided #8-16 x 7/8 in. thread cutting screws to 15 in-lbs. (1.7 N-m) of torque.



c. Mount enclosure to the vertical surface using the 0.28 in. (7.1 mm) diameter clearance holes in the mounting feet. Ensure enclosure is level. Use appropriate fasteners for the mounting substrate (fasteners not supplied).



2. Conduit Connection (Top or Bottom Feed)

CAUTION: Do not use bottom center and bottom right drill points.

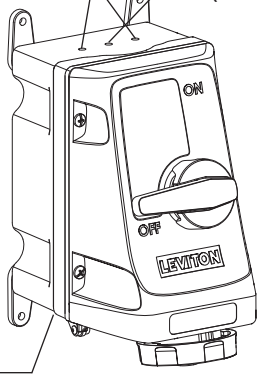
NOTE: Use of an appropriately rated conduit fitting (not provided) is required to maintain the Type 3R, 4X and Type 12 ratings & IP 66/67/68 & IP69K ratings.

a. Select drill point(s) and drill hole(s) for conduit entry. Consult specifications below for hole dimensions.

Up to a 1-1/4 in. (38.1 mm) hub

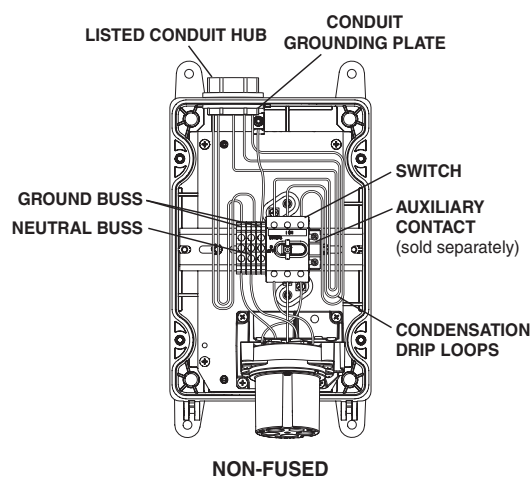
Up to a 2 in. (50.8 mm) hub

Up to a 1-1/4 in. (38.1 mm) hub

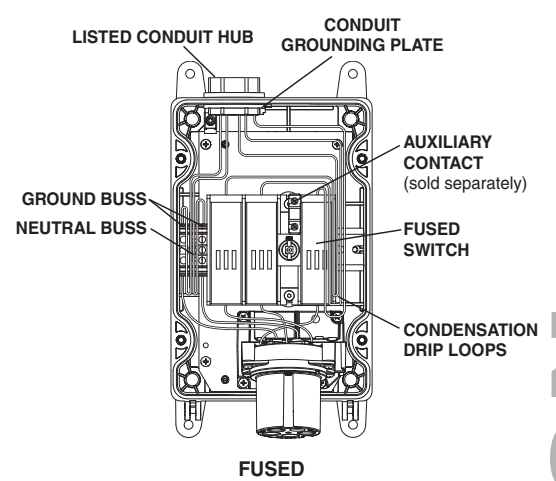


b. Install the hub ensuring that the "O" ring is properly seated, and the inside locking ring is seated tightly against the inside grounding bracket to assure proper grounding.

NOTE: When using top feed conduit entrance, always form condensation drip loops in wiring as shown.



NON-FUSED



FUSED

3. Wiring

WARNING: TO AVOID FIRE SHOCK, OR DEATH, TURN OFF POWER AT CIRCUIT BREAKER OR FUSE, TEST THAT POWER IS OFF BEFORE SERVICING OR WIRING and ensure connections are made in the same sequence as existing device connections.

NOTE: Use conductors with insulation rated 75°C or higher having sufficient ampacity in accordance with the 60°C column of Table 310-16 of the NEC or Table 2 of the Canadian Electrical Code. **DO NOT** tin conductors.

a. Strip all conductors according to the Wire Strip Length Table (1). Use conductor size ranges as per Conductor Size Ranges Table (2).

b. Connect conductors per appropriate WIRING DIAGRAMS on next page, following applicable electrical code requirements.

c. Tighten all terminal screws as per Torque Values Table (1). Make sure that there are no stray conductor strands.

d. Ensure that the gasket is in place in cover groove. Close cover and tighten cover screws to 20 in-lbs. (2.3 N-m) torque.

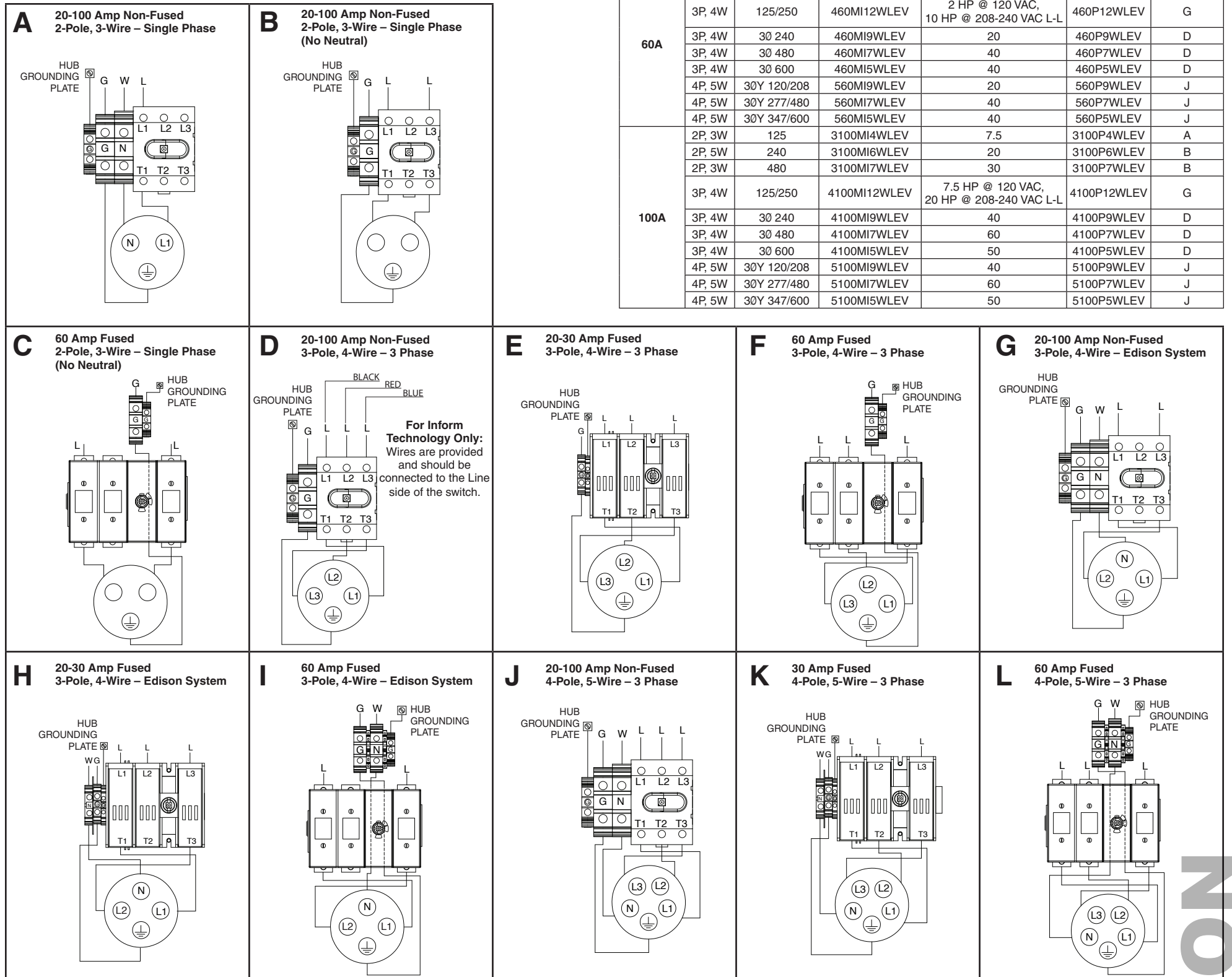
1 Wire Strip Length / Terminal Torque Values						
Amp	Fused/Non-Fused	Wire	Strip length Switch & Terminal Block (inches)	Torque Switch Terminals (in-lbs)	Torque Ground terminal block (in-lbs)	Torque Neutral terminal block (in-lbs)
20/30A	Non-Fused	Neutral	0.38	-	-	15
		Ground	0.38	-	15	-
		Phases	0.50	7	-	-
	Fused	Neutral	0.38	-	-	15
		Ground	0.38	-	15	-
		Phases	0.50	17	-	-
60A	Non-Fused	Neutral	0.69	-	-	30
		Ground	0.69	-	30	-
		Phases	0.50	18	-	-
	Fused	Neutral	0.69	-	-	30
		Ground	0.69	-	30	-
		Phases	0.50	30	-	-
100A	Non-Fused	Neutral	0.69	-	-	30
		Ground	0.69	-	30	-
		Phases	0.69	27	-	-
Auxiliary Terminals			0.50	7	-	-

2 Conductor Size Ranges			
Amp	Fused/Non-Fused	Terminal	Conductor Size Ranges
20/30A	Non-Fused	Neutral	#14-#6 AWG.
		Ground	#14-#8 AWG.
		Switch	#14-#8 AWG.
	Fused	Neutral	#14-#6 AWG.
		Ground	#14-#8 AWG.
		Switch	#14-#8 AWG.
60A	Non-Fused	Neutral	#10-#2 AWG.
		Ground	#14-#4 AWG.
		Switch	#14-#4 AWG.
	Fused	Neutral	#10-#2 AWG.
		Ground	#14-#4 AWG.
		Switch	#14-#4 AWG.
100A	Non-Fused	Neutral	#8-#00 AWG.
		Ground	#8-#00 AWG.
		Switch	#8-#00 AWG.
Auxiliary Terminals			#18-#14 AWG.

NOTE: For models containing the Inform™ Remote Monitoring feature, download the Leviton Inform app and follow the in-app instructions for provisioning. Available on Google Play and the App Store. For more information, visit www.leviton.com.

Wiring Diagrams

3 20/30/60 Amp Devices (FUSED)							4 20/30/60/100 Amp Devices (NON-FUSED)												
Amperage	Wiring	Voltage, AC	Mechanical Interlock Cat. No.	HP Rating	Use Plug Cat. No.	Wiring Diagram	Amperage	Wiring	Voltage, AC	Mechanical Interlock Cat. No.	HP Rating	Use Plug Cat. No.	Wiring Diagram						
20A	3P, 4W	125/250	420MF12WLEV	2 HP @ 120 VAC, 3 HP @ 208-240 VAC L-L	420P12WLEV	H	20A	2P, 3W	240	320MI6WLEV	5	320P6WLEV	B						
	3P, 4W	30 240	420MF9WLEV	7.5	420P9WLEV	E		2P, 3W	480	320MI7WLEV	5	320P7WLEV	B						
	3P, 4W	30 480	420MF7WLEV	15	420P7WLEV	E		3P, 4W	125/250	420MI12WLEV	2 HP @ 120 VAC, 3 HP @ 208-240 VAC L-L	420P12WLEV	G						
	3P, 4W	30 600	420MF5LEV	20	420P5WLEV	E		3P, 4W	30 240	420MI9WLEV	10	420P9WLEV	D						
30A	3P, 4W	125/250	430MF12WLEV	2 HP @ 120 VAC, 3 HP @ 208-240 VAC L-L	430P12WLEV	H	3P, 4W	30 480	420MI7WLEV	20	420P7WLEV	D	30A	3P, 4W	30 600	420MI5WLEV	25	420P5WLEV	D
	3P, 4W	30 240	430MF9WLEV	7.5	430P9WLEV	E	4P, 5W	30Y 120/208	520MI9WLEV	10	520P9WLEV	J							
	3P, 4W	30 480	430MF7WLEV	15	430P7WLEV	E	4P, 5W	30Y 277/480	520MI7WLEV	20	520P7WLEV	J							
	3P, 4W	30 600	430MF5WLEV	20	430P5WLEV	E	4P, 5W	30Y 347/600	520MI5WLEV	25	520P5WLEV	J							
	4P, 5W	30Y 277/480	530MF7WLEV	15	530P7WLEV	K	2P, 3W	240	330MI6WLEV	5	330P6WLEV	B							
	4P, 5W	30Y 347/600	530MF5WLEV	20	530P5WLEV	K	2P, 3W	480	330MI7WLEV	10	330P7WLEV	B							
60A	2P, 3W	240	360MF6WLEV	7.5	360P6WLEV	C	60A	3P, 4W	125/250	430MI12WLEV	2 HP @ 120 VAC, 3 HP @ 208-240 VAC L-L	430P12WLEV	G						
	3P, 4W	125/250	460MF12WLEV	2 HP @ 120 VAC, 7.5 HP @ 208-240 VAC L-L	460P12WLEV	I		3P, 4W	30 240	430MI9WLEV	10	430P9WLEV	D						
	3P, 4W	30 240	460MF9WLEV	15	460P9WLEV	F		3P, 4W	30 480	430MI7WLEV	20	430P7WLEV	D						
	3P, 4W	30 480	460MF7WLEV	30	460P7WLEV	F		3P, 4W	30 600	430MI5WLEV	25	430P5WLEV	D						
	3P, 4W	30 600	460MF5WLEV	50	460P5WLEV	F		4P, 5W	30Y 120/208	530MI9WLEV	10	530P9WLEV	J						
	4P, 5W	30Y 120/208	560MF9WLEV	15	560P9WLEV	L		4P, 5W	30Y 277/480	530MI7WLEV	20	530P7WLEV	J						
	4P, 5W	30Y 347/600	560MF5WLEV	20	560P5WLEV	J		4P, 5W	30Y 347/600	530MI5WLEV	25	530P5WLEV	J						
	4P, 5W	30Y 120/208	560MF9WLEV	15	560P9WLEV	L		2P, 3W	240	360MI6WLEV	10	360P6WLEV	B						



FCC COMPLIANCE STATEMENT (For Inform models ONLY)

This equipment has been tested and found to comply with the limits for a Class A digital device, pursuant to part 15 of the FCC Rules. These limits are designed to provide reasonable protection against harmful interference when the equipment is operated in a commercial environment. This equipment generates, uses, and can radiate radio frequency energy and, if not installed and used in accordance with the instruction manual, may cause harmful interference to radio communications. Operation of this equipment in a residential area is likely to cause harmful interference in which case the user will be required to correct the interference at his own expense.

FCC CAUTION

Any changes or modifications not expressly approved by Leviton Manufacturing Co., Inc., could void the user's authority to operate the equipment.

FCC SUPPLIER'S DECLARATION OF CONFORMITY

Pin and Sleeve Mechanical Interlock 20A, 30A, 60A, & 100A (Non-Fused) and 20A, 30A, & 60A (Fused) are manufactured by Leviton Manufacturing Co., Inc., 201 North Service Road, Melville, NY 11747. This device complies with part 15 of the FCC Rules. Operation is subject to the following two conditions: (1) This device may not cause harmful interference, and (2) this device must accept any interference received, including interference that may cause undesired operation. Contains FCC ID: VPLYB1GC.

IC STATEMENT

This device complies with Industry Canada license-exempt RSS standard(s). Operation is subject to the following two conditions: (1) this device may not cause interference, and (2) this device must accept any interference, including interference that may cause undesired operation of the device. Contains IC: 772C-LB1GC.

RF EXPOSURE AND CO-LOCATION:

To comply with FCC OET Bulletin 65 and ISED RF exposure limits for general population and uncontrolled exposure, this device shall be installed and operated with a minimum distance of 7.9 inches (20 cm) between the radiator and your body. Also, must not be co-located or operated in conjunction with any other antenna or transmitter.

TRADEMARK DISCLAIMER: Use herein of third party trademarks, service marks, trade names, brand names and/or product names are for informational purposes only, are/may be the trademarks of their respective owners; such use is not meant to imply affiliation, sponsorship, or endorsement.

FOR CANADA ONLY

For warranty information and/or product returns, residents of Canada should contact Leviton in writing at Leviton Manufacturing of Canada ULC to the attention of the Quality Assurance Department, 165 Hymus Blvd, Pointe-Claire (Quebec), Canada H9R 1E9 or by telephone at 1 800 405-5320.

LIMITED 5 YEAR WARRANTY AND EXCLUSIONS

Leviton warrants to the original consumer purchaser and not for the benefit of anyone else that this product at the time of its sale by Leviton is free of defects in materials and workmanship under normal and proper use for five years from the purchase date. Leviton's only obligation is to correct such defects by repair or replacement, at its option. For details visit www.leviton.com or call 1-800-824-3005. This warranty excludes and there is disclaimed liability for labor for removal of this product or reinstallation. This warranty is void if this product is installed improperly or in an improper environment, overloaded, misused, opened, abused, or altered in any manner, or is not used under normal operating conditions or not in accordance with any labels or instructions. There are no other or implied warranties of any kind, including merchantability and fitness for a particular purpose, but if any implied warranty is required by the applicable jurisdiction, the duration of any such implied warranty, including merchantability and fitness for a particular purpose, is limited to five years. Leviton is not liable for incidental, indirect, special, or consequential damages, including without limitation, damage to, or loss of use of, any equipment, lost sales or profits or delay or failure to perform this warranty obligation. The remedies provided herein are the exclusive remedies under this warranty, whether based on contract, tort or otherwise.