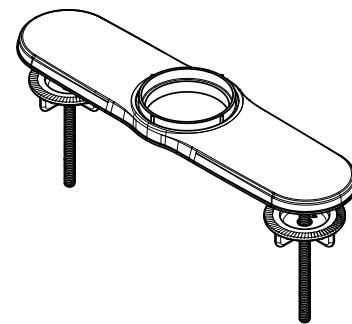


Port Haven Deckplate

- 961-254A Finish(A)
- 961-254D Finish(D)
- 961-254S Finish(S)
- 961-254Y Finish(Y)
- 961-254BG Finish(BG)



Specifications

Features

- Deckplate for GT529-TD*
- TiteSeal™ Technology
- Putty Plate Included
- Mounting Hardware Included
- Pforever Warranty®

Code Compliance

Pfister products are designed and manufactured in compliance with the following standards and codes:

- ASME A112.18.1

Dimensions

