

INTERIOR BLOWERS MODELS P5 & P8

Provides high ventilation and durable construction to meet the needs of professional-quality home cooktops.

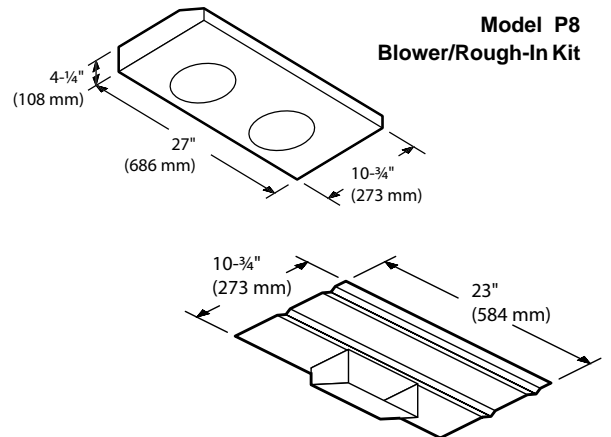
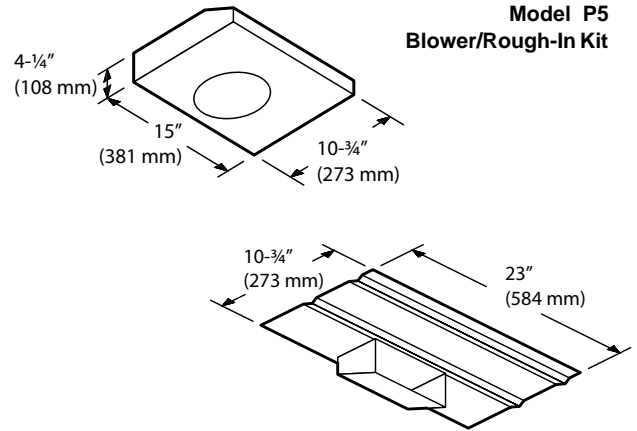
FEATURES

Model P5

- 500 CFM (283.2 L/s), 120 VAC, 1.8 Amps
- Interior-mounted, single-wheel design
- Attaches to rough-in plate independent of hood
- Includes rough-in kit with flow-deviator and damper/adaptor
- Uses 3 ¼" x 10" (83 mm x 254 mm) or 8" (203 mm) round duct
- For use with 64000 Series and RMIP Inserts
- Units to be certified HVI 2100
- Units to be UL and cUL listed

Model P8

- 850 CFM (401.2 L/s), 120 VAC, 3.4 Amps
- Interior-mounted, dual-wheel design
- Attaches to rough-in plate independent of hood
- Includes rough-in kit with flow-deviator and damper/adaptor
- Uses 3 ¼" x 10" (83 mm x 254 mm) or 8" (203 mm) round duct
- For use with 64000 Series (36" [914 mm] or wider hood) and RMIP Inserts
- Units to be certified HVI 2100
- Units to be UL and cUL listed



HVI-2100 CERTIFIED RATINGS comply with new testing technologies and procedures prescribed by the Home Ventilating Institute, for off-the-shelf products, as they are available to consumers. Product performance is rated at 0.1 in. static pressure, based on tests conducted in AMCA's state-of-the-art test laboratory. Sones are a measure of humanly-perceived loudness, based on laboratory measurements.

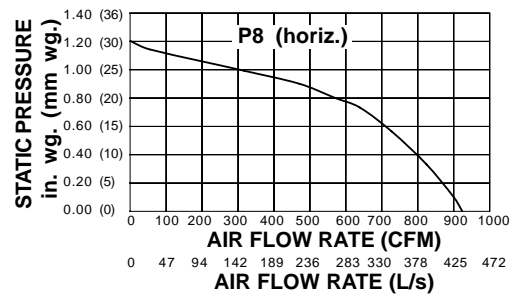
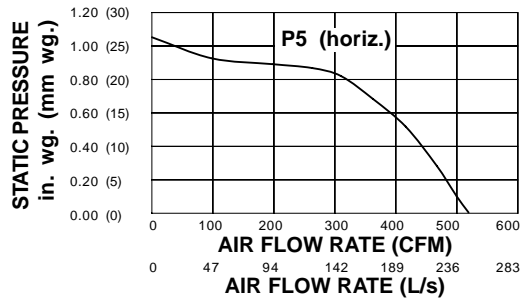


Broan-NuTone LLC, 926 West State Street, Hartford, WI 53027 (1-800-637-1453)

Broan-NuTone Canada Inc., 1140 Tristar Drive, Mississauga, Ontario, CANADA L5T 1H9 (1-888-882-7626)

REFERENCE	QTY.	REMARKS	Project
			Location
			Architect
			Engineer
			Contractor
			Submitted by Date

PERFORMANCE RATINGS



SPECIFICATIONS

Model	Volts	Amps	CFM (L/s)	Duct (mm)
P5	120	1.8	500 (236)	3-1/4" x 10" (83 x 254) or 8" (203) round
P8	120	3.4	850 (401)	3-1/4" x 10" (83 x 254) or 8" (203) round



HVI-2100 CERTIFIED RATINGS comply with new testing technologies and procedures prescribed by the Home Ventilating Institute, for off-the-shelf products, as they are available to consumers. Product performance is rated at 0.1 in. static pressure, based on tests conducted in AMCA's state-of-the-art test laboratory. Sones are a measure of humanly-perceived loudness, based on laboratory measurements.

