

**PVC2430D15, PVC2430D20,
PVC3240D15, PVC3240D20,
*PVC4048D15, PVC4048D20,
*PVC4856D15, PVC4856D20,
*PVC5664D15, PVC5664D20,
*PVC6472D15, PVC6472D20**

*Not kept in stock; future availability as demand warrants.



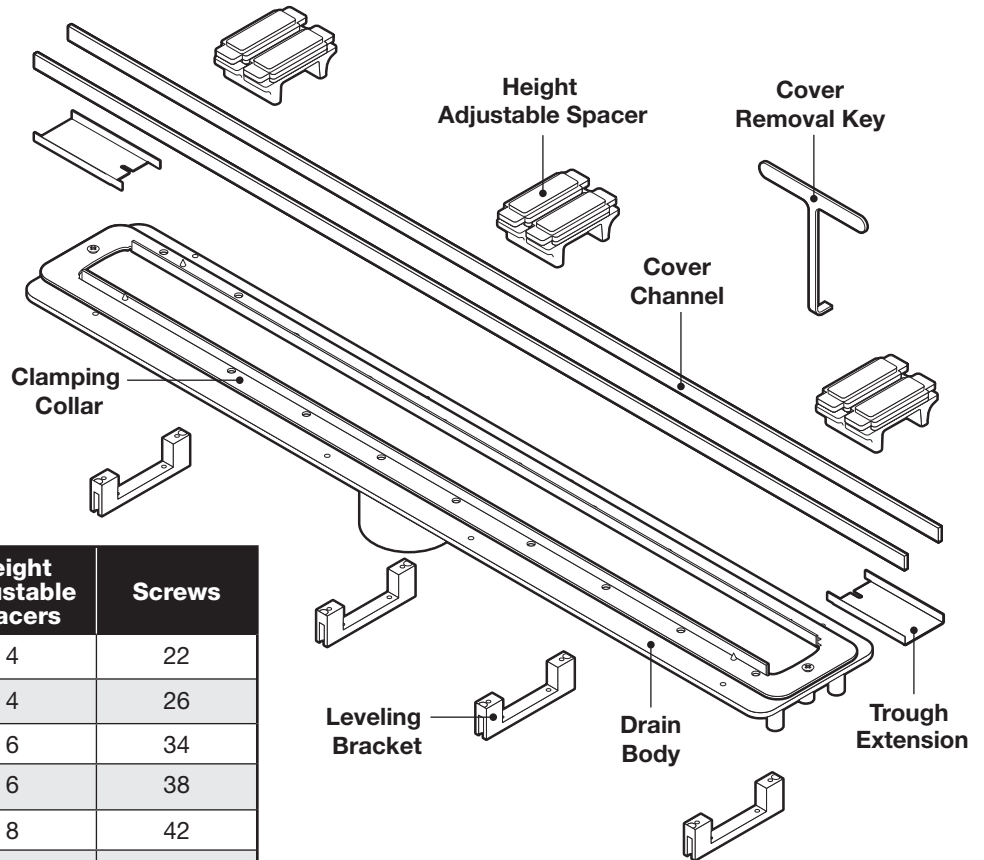
Features

- Most important special feature is the internally sloped trough. This feature is a key to no stagnant water sitting in the trough any time and eliminates hard water build up
- Length adjustability of drain body with use of trough extensions (4" for each side, 8" total) to accommodate drain sizes from 24" - 72"
- Height adjustability of drain cover with use of spacers for different thicknesses of finish material from 3/8" to 3/4"
- Use with any kind of waterproofing: topical sheet waterproofing (QTS, Kerdi™, Noble TS™), topical liquid waterproofing (AquaDefense™, RedGuard™, Hydro Ban™, Ardex 8+9™), hot mop, lead pan, PVC vinyl liner, rubber liner, Chloraloy™, copper pan and fiberglass
- Drain capacity for 2" outlet is 12 GPM in a shower pan with curb and 5 GPM in a shower pan without a curb at the entry. For 1.5" outlet it's 9 GPM and 3.5 GPM. (the actual volume is limited by the plumbing lines and P-trap).

Drain assembly includes

- PVC Parts:
Drain body (1)
Leveling Brackets (4)
Height Adjustable Spacers*
- 304 Stainless Steel Parts:
Clamping collar (1)
Cover Channel (2)
Trough Extension (2)
Screws*
- Other:
Cover Removal Key (2)

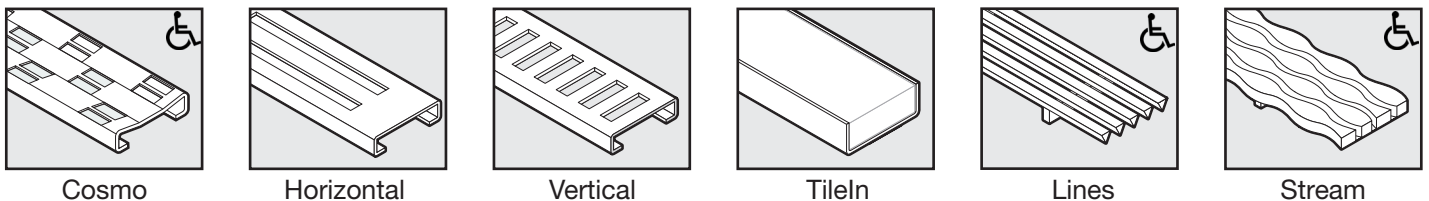
*See chart for part quantities of different drain lengths.



Model Number	Height Adjustable Spacers	Screws
PVC2430D15, PVC2430D20	4	22
PVC3240D15, PVC3240D20	4	26
PVC4048D15, PVC4048D20	6	34
PVC4856D15, PVC4856D20	6	38
PVC5664D15, PVC5664D20	8	42
PVC6472D15, PVC6472D20	8	50

Required Part (not included) - Drain Cover

- Available in the designs below and in these lengths – 32", 40", 48", 56", 64", and 72"



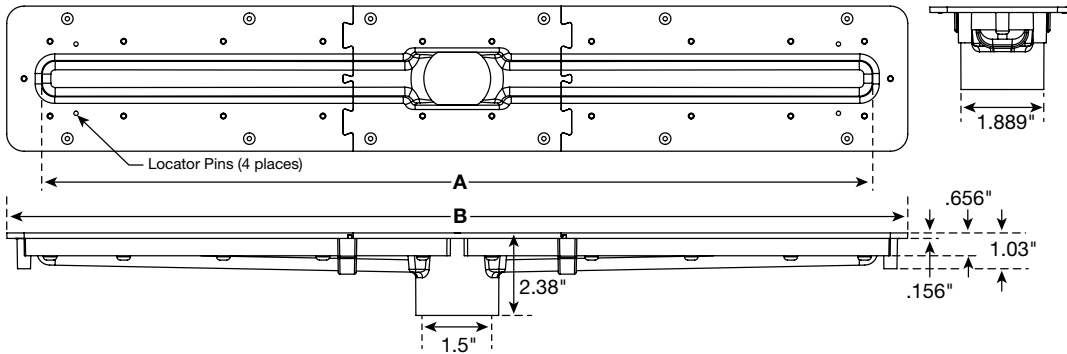
SHOWERLINE[®] drain

by QUICKDRAIN USA[®]

PVC2430D15, PVC2430D20,
PVC3240D15, PVC3240D20,
 * **PVC4048D15, PVC4048D20,**
 * **PVC4856D15, PVC4856D20,**
 * **PVC5664D15, PVC5664D20,**
 * **PVC6472D15, PVC6472D20**

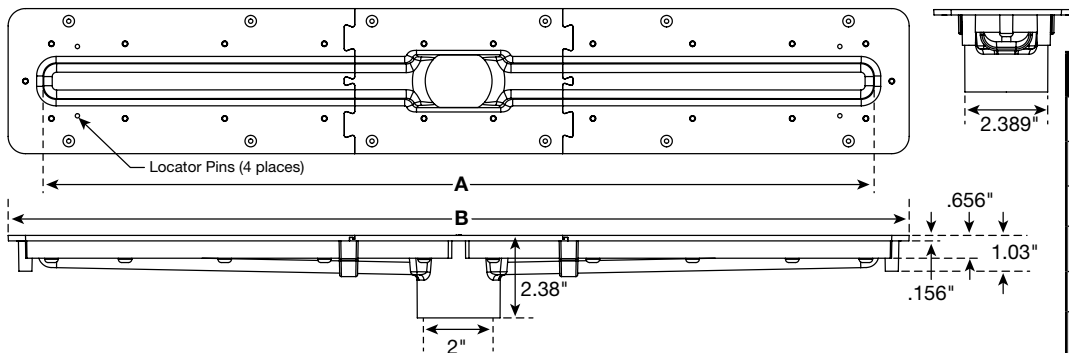
*Not kept in stock; future availability as demand warrants.

Dimensions (1-1/2" Down Waste Outlet)



Model	A	B
PVC2430D15	24"	26"
PVC3240D15	32"	34"
PVC4048D15	40"	42"
PVC4856D15	48"	50"
PVC5664D15	56"	58"
PVC6472D15	64"	66"

Dimensions (2" Down Waste Outlet)

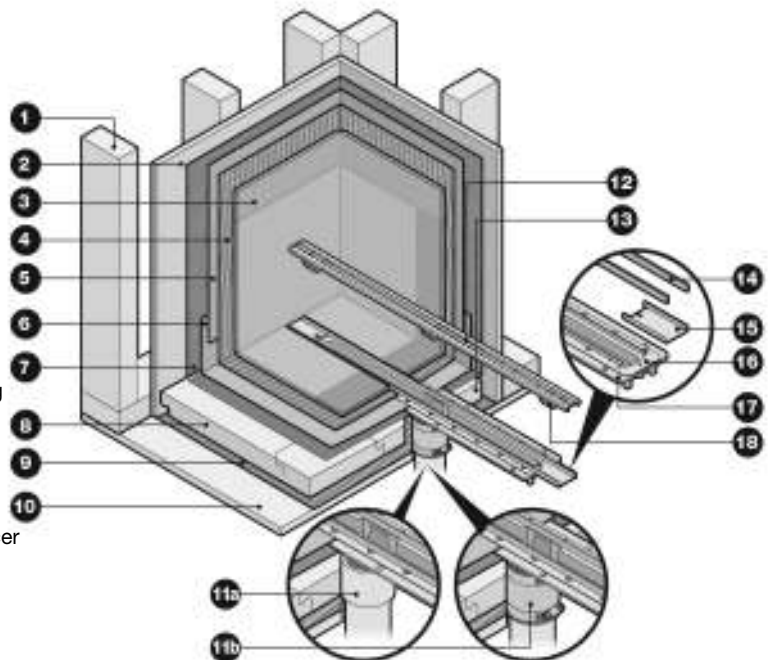


Model	A	B
PVC2430D20	24"	26"
PVC3240D20	32"	34"
PVC4048D20	40"	42"
PVC4856D20	48"	50"
PVC5664D20	56"	58"
PVC6472D20	64"	66"

Installation Notes

- Drain body can not be cut, but can be extended with use of trough extensions.
- Drain cover can be cut on site to fit wall to wall (curb) installation!
- Cutaway illustration (shown) is sheet waterproofing with foam panel installation. **For different types of installations, please see other cutaway illustrations at www.quickdrainusa.com**

- | | |
|---|--|
| 1 Stud wall | 12 Drain cover |
| 2 Backer board | 13 Pre-sloped interlocking drain support frame |
| 3 Wall tile and grout | 14 Cover channel |
| 4 Thin-set (for wall tile) | 15 Through extension |
| 5 Sheet wall waterproofing | 16 Clamping collar |
| 6 Sheet shower pan waterproofing | 17 Drain body |
| 7 Thin-set | 18 Height adjustable spacer |
| 8 Pre-sloped Interlocking PET foam panels | |
| 9 Thin-set | |
| 10 Sub-floor | |
| 11a PVC-to-PVC connection | |
| 11b Shielded no-hub coupling | |



Rev JAN 2015
 (pg. 2 of 2)



Office : 970.668.0805 or 866.998.6685 | Fax: 866.357.8502 | P.O. Box 1358 | Frisco, Colorado 80443

quickdrainusa.com

Before installing QuickDrain USA system, check with your local building department/plumbing inspector to ensure compliance with the local building codes. QuickDrain USA LLC is not responsible for any conflicts with local building codes. QuickDrain USA LLC is not responsible for improper installation of any part of the assembly or the waterproofing membrane. Dimensions are subject to manufacturer's tolerance and can change without notice.