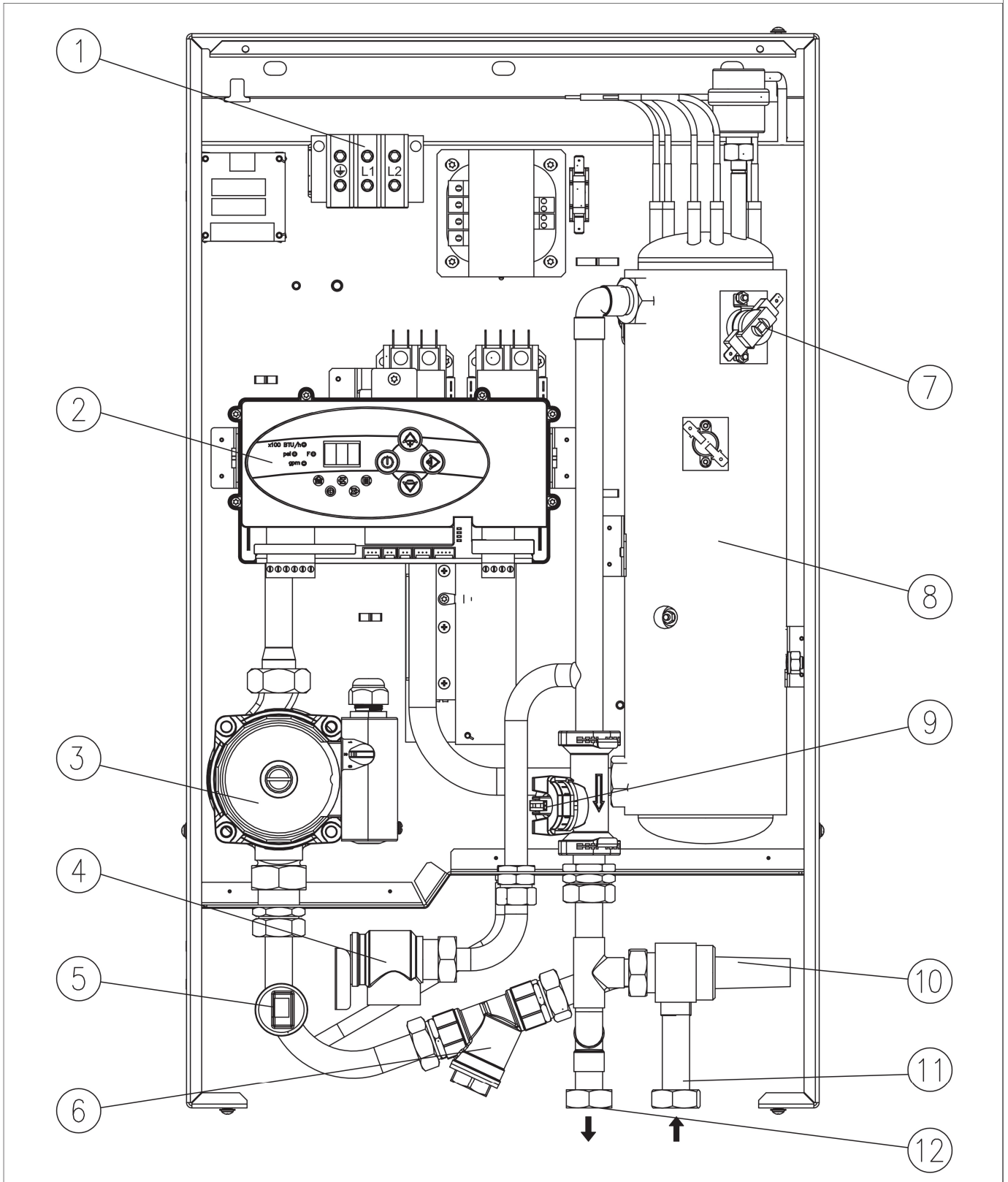


Part List



1.	Wiring Entrance	7.	Manual Reset High Limit Device
2.	Control Panel	8.	Heating Element
3.	Pump	9.	Flow and Outlet Temperature Sensor
4.	Pressure Relief Valve	10.	By-Pass Valve
5.	Pressure Sensor	11.	Water Inlet
6.	Magnetic Filter	12.	Water Outlet

Part #	Description
01563	Side Cover
01564	Outdoor Temperature Sensor
01591	Heat Exchanger - 4 kW/240V
01565	Heat Exchanger - 6 kW/240V
01566	Heat Exchanger - 8 kW/240V
01567	Heat Exchanger -12 kW/240V
01568	Heat Exchanger -14.4kW/240V
01569	Inlet Connection Pipe
01570	Pump Pipe EKCO.LN2UL
01571	Power Board ZM-60 (w/o pipe)
01572	Inner Pipe of Power Board
01573	Outlet Connection Pipe 1
01574	Outlet Connection Pipe 2
01575	Safety Valve Pipe
01576	Control Panel -Main Circuit Board
01577	Case
01578	Nipple 3/4"
01579	Nut
01580	Nut G 3/4"
01581	Connection
01582	Sleeve
01583	Panel ZIO.50
01584	Pump Wilo Star S21 U15 130 PR3
01585	Apollo Safety Relief Valve 30 psi, 3/4"
01586	Thermal Safety Cut Out 60T-X25, 90.05 Thermodisc
01587	Contacto HVVY2XQ04GG Hartland
01588	Transformer 4000-09AW18AE999
01589	Glass Fuse Connection 16A
01590	Time-delay Glass Fuse 6.3 x 32mm 2A
01592	Connector VC05-0046
01593	Holder KU-2 color Grey
01594	Thermal Cut Out (auto reset) 36T
01601	Return Temperature Sensor NTC
01294	Magnetic Filter F-Mag 3/4
01195	Differential Pressure Relief Valve
00853	Expansion Vessel
01339	Flow Sensor Huba Control