

# Specifications

## DESCRIPTION

- Thermostatic mixing valve, with adjustable temperature control cartridge
- All brass construction with vandal resistant cap
- 1/2" FNPT connections with 3/8" compression adapters
- Hot and cold check valves prevent possible backflow on water supply inlets
- Stainless steel internal strainer protect against line trash

## OPERATION

- Factory preset at 105°F
- Adjustable from 95°F (35°C) to 120°F (49°C), with a  $\pm 3.5^\circ\text{F}$  ( $\pm 2^\circ\text{C}$ ) temperature accuracy
- Working pressure: maximum=125psi, minimum=20psi
- Flow rate at 45psi=3.7gpm, minimum flow rate=0.35 gpm
- Cold water supply=39° to 80°F, hot water supply=120° to 180°F

## CARTRIDGE

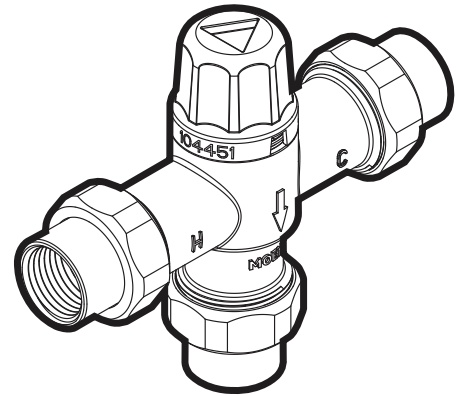
- Paraffin based thermostatic engine

## STANDARDS

- Third party certified to meet CSA B-125.3, ASSE 1070 and all applicable requirements referenced therein
- AB1953 certified

## WARRANTY

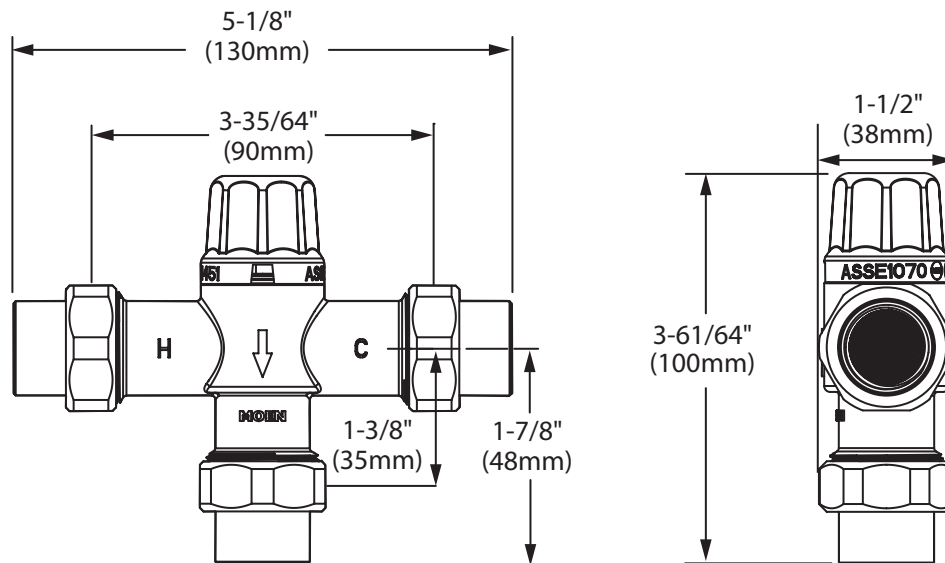
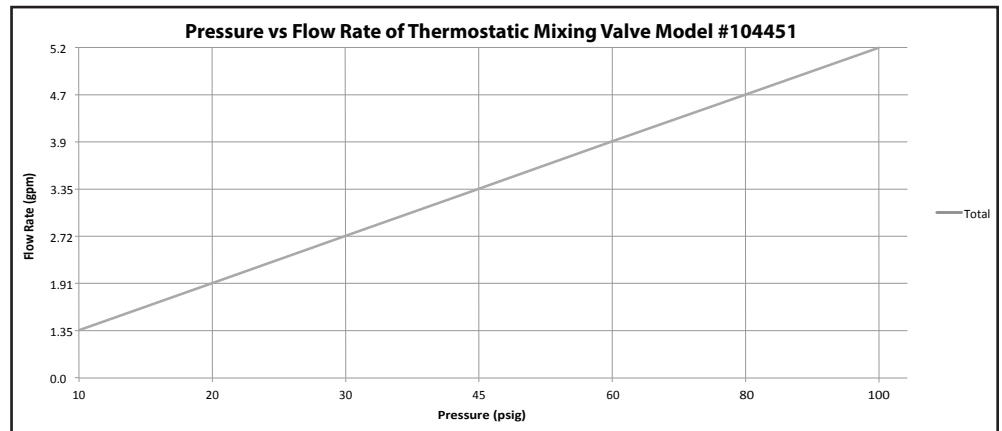
- 5 year limited warranty



**Adjustable Temperature  
Thermostatic Mixing Valve**

MODEL: 104451

Pressure (psi)	Flow rate (GPM)
10	1.35
20	1.91
30	2.72
45	3.35
60	3.9
80	4.7
100	5.2



## CRITICAL DIMENSIONS

(DO NOT SCALE)