

EasyStart™ FLEX

Quick Installation Guide

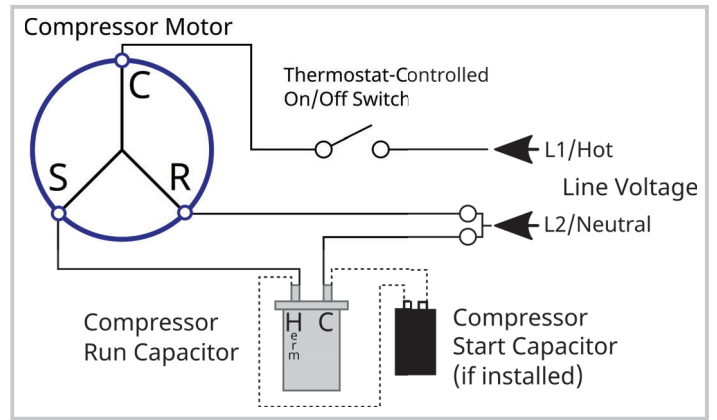
Please visit our website for complete manuals, guides, and information on setup, operation, and troubleshooting



www.micro-air.com/kb_easystart.htm



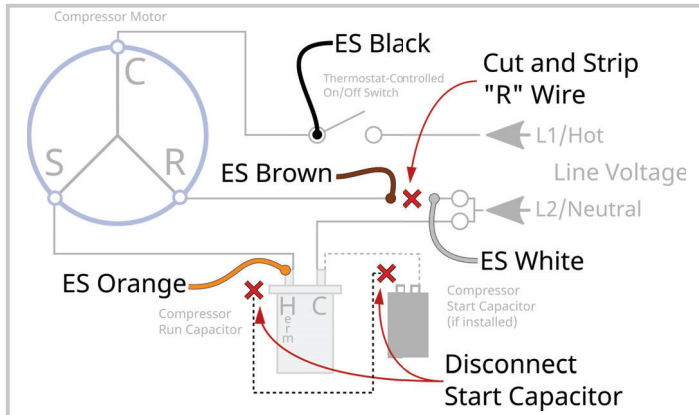
1. Identify System Wires



Generic A/C Schematic without EasyStart

You can install EasyStart into any system when you identify the compressor "C", "S", and "R" wires in your system's electric box.

2. EasyStart Wiring



Generic A/C Schematic with EasyStart Installed

The below **electrical** criteria are true for installation into any system. Continue to the next section for a typical installation.

- EasyStart (ES) orange is connected to compressor "S"
- ES Black is connected to compressor "C"
- Compressor "R" is disconnected from line voltage
- Compressor "R" is connected exclusively to ES brown
- ES white is connected to old compressor "R" line voltage
- Any start-assist devices are disconnected

3. Typical Home Install

Disconnect power from your A/C unit using the A/C breaker. Locate the three compressor motor wires (C, S, and R) coming from the compressor and follow them into the electric box. Use the wiring diagram for your unit to help.

EasyStart Orange

Follow the "S" wire to where it lands in the electric box. Connect EasyStart orange alongside it on same terminal group of the silver run capacitor, labelled "H" or "Herm".

Disconnect Any Other Start-Assist Devices

Inspect the same run capacitor terminal as above for any other wires and follow them. If they go to a start capacitor, start relay, or PTCR then remove this wire at both ends.

EasyStart Black

Follow the "C" wire to where it lands in the electric box. Connect EasyStart black alongside it on an available post of the contactor.

Compressor "R" Wire

Follow the "R" wire to where it lands in the electric box. Measure roughly 6 inches up along this wire from where it lands and make a cut.

NOTE: It is easy to mistake other wires for the compressor "R" wire. Take extra precaution when identifying this wire.

EasyStart Brown

Connect the EasyStart brown wire to the wire you just cut, on the compressor motor side of the cut. Strip the wire and twist its strands together. Open the empty lever, slide in the stripped wire fully, and close the lever.

Strip Length Indication
0.5" (13mm)



EasyStart White

Connect the EasyStart white wire to the remaining section of the previously cut wire. Strip the cut wire and twist its strands together. Open the empty lever, fully slide in the stripped wire, and close the lever.

EasyStart Learning Starts

Restore power to the A/C and let the A/C cycle naturally on mains power. EasyStart will learn the characteristics of your compressor on the first few cycles. Please allow at least 8 cycles to complete before operating on a limited power source.

4. Further Resources

Our EasyStart Knowledge Bank has further resources to learn more about EasyStart. Below are some highlights:

- Expanded Installation Resources
 - Installation FAQs
 - Systems without Contactors
 - Systems with Compressor Monitoring
 - Systems with Coresense™ or ComfortAlert™ Modules
- Bluetooth Operation Manual
- Generator Sizing with EasyStart
- EasyStart Indicator Lights (Flashing)
- What is Learning? What is Re-Learning? (Factory Reset)
- EasyStart Troubleshooting



If you have questions or issues after reading our resources then please submit your information on our Contact Us page. Detail the questions or issue you have and what resources you have used and steps you have tried. Include pictures that further describe what you need help with.

https://www.micro-air.com/contact_microair.htm