

# 772 PVC Ball Valve - True Union • Spec Sheet



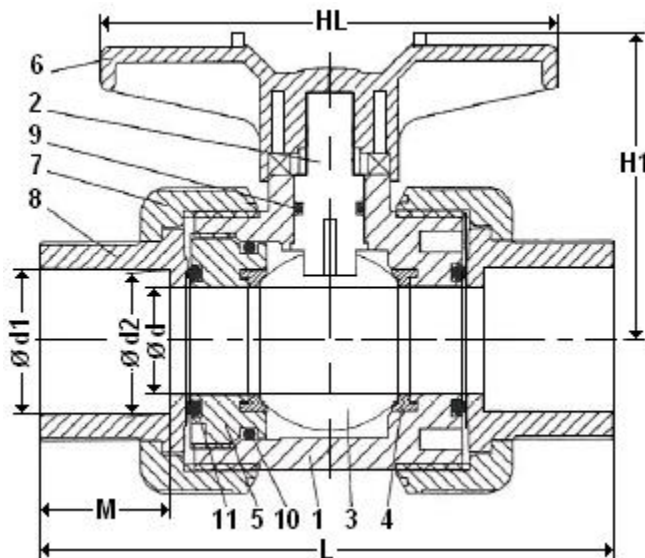
## FEATURES & BENEFITS

- ISO-9002
- Full Port
- True Union
- 150 PSI @ 73 Deg. F.
- Sch. 80 PVC Body
- PTFE Seat Seals
- Specify Either Solvent or Threaded Ends
- Unique Double Union / Double Block Design
- External Adjustment for Seat Wear
- Sizes 3" - 4"

**APPLICATIONS:** Waste Water, Mild Chemicals, Swimming Pools, Water Treatment

## DIMENSIONS

| Size | L       |          | Ød   | Ød1  | Ød2     |          | M    | H1   | HL    |
|------|---------|----------|------|------|---------|----------|------|------|-------|
|      | Solvent | Threaded |      |      | Solvent | Threaded |      |      |       |
| 3"   | 11.06   | 9.45     | 3.07 | 7.25 | 3.50    | 3.00     | 1.88 | 6.50 | 9.06  |
| 4"   | 14.25   | 14.25    | 3.35 | 7.84 | 4.50    | 4.00     | 2.25 | 6.77 | 10.79 |



## MATERIAL SPECIFICATIONS

| No | Part            | Material   |
|----|-----------------|------------|
| 1  | Body            | PVC        |
| 2  | Stem            | PVC        |
| 3  | Ball            | PVC        |
| 4  | Seat            | Santoprene |
| 5  | Threaded Spacer | PVS        |
| 6  | Handle          | ABS        |
| 7  | Union Nut       | PVC        |
| 8  | Union End       | PVC        |
| 9  | Stem O-Ring     | EPDM       |
| 10 | Spacer Seal     | EPDM       |
| 11 | End Seal        | EPDM       |

 **MATCO-NORCA**  
Global sourcing. National compliance. Local service.

**CALIFORNIA** 5593 Fresca Dr., La Palma CA 90623 • Toll Free: 866-532-8306 • Fax: 866-532-8307  
**TEXAS** 1150 Silber Rd., Houston TX 77055 • Toll Free: 800-935-5456 • Fax: 713-680-2999  
**NEW YORK** PO Box 27, Rt. 22, Brewster NY 10509 • Toll Free: 800-431-2082 • Fax: 845-278-9056  
 WEB: [www.matco-norca.com](http://www.matco-norca.com) EMAIL: [mail@matco-norca.com](mailto:mail@matco-norca.com)