

# 29-1041LF Straight Supply Valve • Spec Sheet

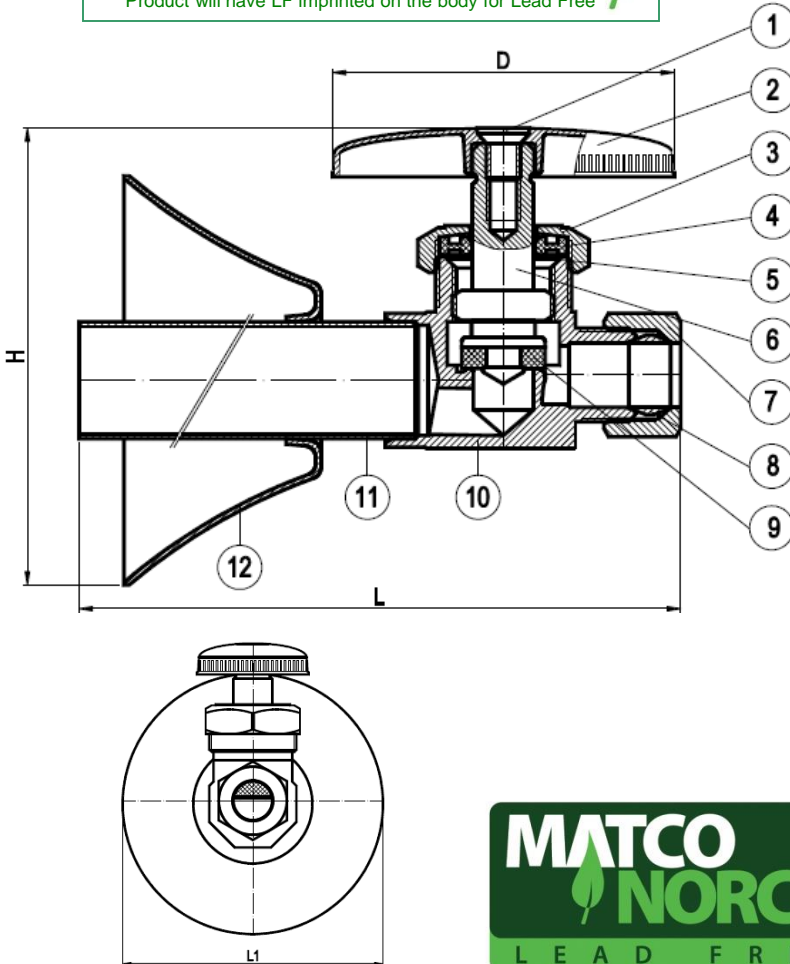


## FEATURES & BENEFITS

- Chrome Plated Lead Free Brass\*
- ISO-9002
- Straight
- Multi Turn
- With 5" Chrome Extension & Bell Escutcheon
- 1/2" SWT X 3/8" OD Compression

## DIMENSIONS

H	L	L1	D
2.69	6.57	2.41	2.02



## MATERIAL SPECIFICATIONS

No.	Part	Material
1	Bolt	JIS 3260 C2600W
2	Handle	Zinc Alloy Z30A
3	Bonnet	Brass B124 C37700
4	Packing	EPDM SN-719F
5	Washer	Stainless Steel 304
6	Stem	Plastic
7	Seat Packing	EPDM SN-719F
8	Sleeve	Brass C89550
9	Packing Nut	Brass B124 C37700
10	Body	Brass C89550
11	Drain Pipe	Brass C27000
12	Flange	Stainless Steel 304

\* These product complies with 0.25% weighted average lead content on wetted surfaces in accordance with Safe Water Drinking Act (SDWA) / Federal Public Law No. 111-380.



Global sourcing. National compliance. Local service.

**CALIFORNIA** 5593 Fresca Dr., La Palma CA 90623 • Toll Free: 866-532-8306 • Fax: 866-532-8307  
**TEXAS** 1150 Silber Rd., Houston TX 77055 • Toll Free: 800-935-5456 • Fax: 713-680-2999  
**NEW YORK** PO Box 27, Rt. 22, Brewster NY 10509 • Toll Free: 800-431-2082 • Fax: 845-278-9056  
 WEB: [www.matco-norca.com](http://www.matco-norca.com) EMAIL: [mail@matco-norca.com](mailto:mail@matco-norca.com)