

# Universal Master Flash®

## INSTALLATION GUIDE

BN-Brown BA-Black NG-Dark Gray GG-Gray WT-White DG-Dark Green LG-Light Green DB-Dark Blue LB-Light Blue BR-Bright Red TC-Terra Cotta CP-Copper TN-Tan

### PART NUMBER KEY

Base Size Color

RD Mini BA  
RD 051 BA

### Color Options

BN-Brown • NG-Dark Gray  
BA-Black • GA-Gray • WT-White  
DG-Dark Green LG-Light Green  
DB-Dark Blue • LB-Light Blue • BR-Bright Red  
TC-Terra Cotta • CP-Copper • TN-Tan

### SILICONE PART NUMBER KEY

Base Size Color

RD 102 RA  
RD 102 RA

### Silicone Color Options

RA-Red High Temp Silicone  
GX- Gray High Temp Silicone  
BX-Black HighTemp Silicone

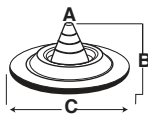


Name	Part #	Compound	Pipe Range	Base
Mini	RD051BA	Black EPDM	Closed- 1" (0 - 25mm)	4" (101mm)
#1	RD101BA	Black EPDM	Closed- 1-7/8" (0 - 47mm)	4-3/4" (120mm)
#2	RD201BA	Black EPDM	1-3/4" - 3" (45 - 76mm)	6-1/4" (159mm)
#3	RD301BA	Black EPDM	Closed - 5" (0 - 127mm)	7-3/4" (196mm)
#4	RD401BA	Black EPDM	3" - 6-1/4" (75 - 160mm)	9-1/4" (234mm)
#5	RD501BA	Black EPDM	4-1/4" - 7-1/2" (108- 190mm)	10-1/2" (266mm)
#6	RD601BA	Black EPDM	5" - 9" (127 - 228mm)	12-1/2" (317mm)
#7	RD701BA	Black EPDM	6" - 11" (150 - 280mm)	14-1/2" (368mm)
#8	RD801BA	Black EPDM	7" - 13" (175 - 330mm)	16-1/2" (412mm)
#9	RD901BA	Black EPDM	9" - 20" (228 - 508mm)	25-1/4" (641mm)



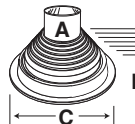
## Sizing Chart

Check diameter of pipe. Select the appropriate Universal Master Flashing® for pipe or duct diameter. Only use maximum pipe diameters on minimal roof angles. For extreme pitch or surface irregularity select next larger size. Then refer to the part number for the Universal Master Flashing® desired.



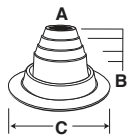
### Mini Universal Flashing Details

A-Top Opening	Closed
B-Overall Height	1-1/2" (38mm)
C-Base	4" (101mm)



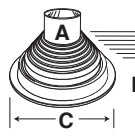
### #5 Universal Flashing Details

A-Top Opening	4-1/4" (108mm)
B-Overall Height	4-1/2" (114mm)
C-Base	10-1/2" (266mm)



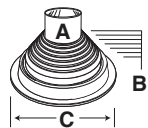
### #1 Universal Flashing Details

A-Top Opening	Closed
B-Overall Height	2-7/8" (73mm)
C-Base	4-3/4" (120mm)



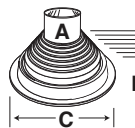
### #6 Universal Flashing Details

A-Top Opening	5" (127mm)
B-Overall Height	4-3/4" (120mm)
C-Base	12-1/2" (317mm)



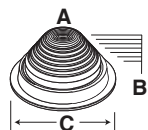
### #2 Universal Flashing Details

A-Top Opening	1-3/4" (45mm)
B-Overall Height	3-1/2" (88mm)
C-Base	6-1/4" (158mm)



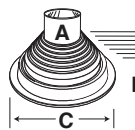
### #7 Universal Flashing Details

A-Top Opening	6" (150mm)
B-Overall Height	6" (150mm)
C-Base	14-1/2" (368mm)



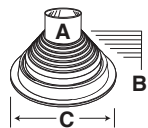
### #3 Universal Flashing Details

A-Top Opening	Closed
B-Overall Height	3-3/4" (95mm)
C-Base	7-3/4" (196mm)



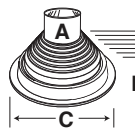
### #8 Universal Flashing Details

A-Top Opening	7" (175mm)
B-Overall Height	6-1/2" (165mm)
C-Base	16-1/2" (412mm)



### #4 Universal Flashing Details

A-Top Opening	3" (75mm)
B-Overall Height	4" (101mm)
C-Base	9-1/4" (234mm)



### #9 Universal Flashing Details

A-Top Opening	9" (228mm)
B-Overall Height	8-3/4" (222mm)
C-Base	25-1/4" (641mm)

# Universal Master Flash®

## Universal Size and Trimming

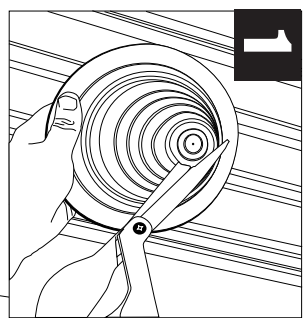
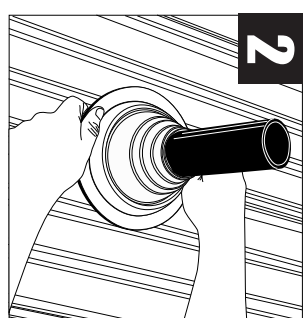
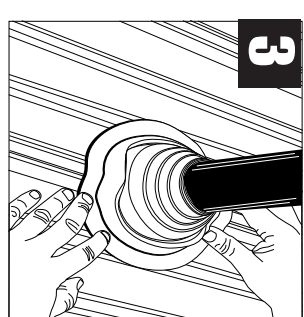
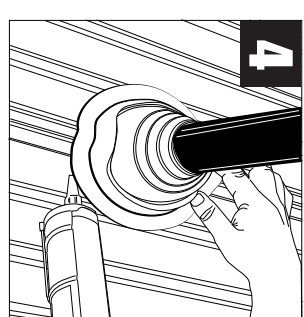
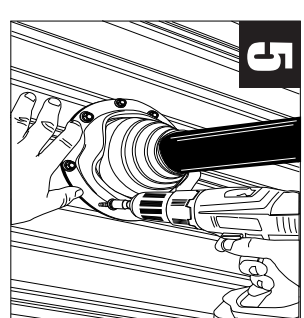

Universal Pipe Range	Mini	#1	#2	#3	#4	#5	#6	#7	#8	#9
Closed 0" - 2" (0-50mm)										
<b>1</b> 2-1/4" - 2-3/4" (57-70mm)	<b>1</b> 0" - 3/8" (0-9mm)	<b>1</b> 1/8" - 1-1/4" (3-31mm)	<b>1</b> 1-3/4" - 2" (45-51mm)	<b>1</b> 2-1/4" - 2-3/4" (57-70mm)	<b>1</b> 3" - 3-3/4" (75-95mm)	<b>1</b> 4-1/4" - 5" (108-127mm)	<b>1</b> 5" - 5-1/2" (125-140mm)	<b>1</b> 6" - 6-1/2" (150-165mm)	<b>1</b> 7" - 8" (175-195mm)	<b>1</b> 9" - 10" (225-254mm)
<b>2</b> 2-3/4" - 3-1/4" (70-83mm)	<b>2</b> 1/2" - 5/8" (12-15mm)	<b>2</b> 1-3/8" - 1-5/8" (34-41mm)	<b>2</b> 2-3/8" - 2-1/2" (60-65mm)	<b>2</b> 2-3/4" - 3-1/4" (70-83mm)	<b>2</b> 3-3/4" - 4-1/2" (95-114mm)	<b>2</b> 5" - 5-3/4" (127-146mm)	<b>2</b> 5" - 5-1/2" (127-146mm)	<b>2</b> 6-1/2" - 7" (165-180mm)	<b>2</b> 6-1/2" - 7" (165-180mm)	<b>2</b> 8" - 8-1/2" (195-210mm)
<b>3</b> 3-1/4" - 4" (83-102mm)	<b>3</b> 3/4" - 1" (19-25mm)	<b>3</b> 1-5/8" - 1-7/8" (41-47mm)	<b>3</b> 2-3/4" - 3" (70-76mm)	<b>3</b> 3-1/4" - 4" (83-102mm)	<b>3</b> 4-1/2" - 5-1/4" (114-133mm)	<b>3</b> 5-3/4" - 6-1/2" (146-165mm)	<b>3</b> 6" - 6-1/2" (150-165mm)	<b>3</b> 7" - 7-1/2" (180-195mm)	<b>3</b> 7" - 7-1/2" (180-195mm)	<b>3</b> 8-1-1/2" - 9" (210-225mm)
<b>4</b> 4" - 4-3/4" (102-121mm)				<b>4</b> 4" - 4-3/4" (102-121mm)	<b>4</b> 5-1/4" - 5-3/4" (133-146mm)	<b>4</b> 6-1/2" - 7" (165-178mm)	<b>4</b> 6-1/2" - 7" (165-180mm)	<b>4</b> 7-1/2" - 8" (190-205mm)	<b>4</b> 7-1/2" - 8" (190-205mm)	<b>4</b> 9" - 9-1/2" (225-240mm)
<b>5</b> 4-3/4" - 5" (121-127mm)				<b>5</b> 4-3/4" - 5" (121-127mm)	<b>5</b> 5-3/4" - 6-1/4" (146-160mm)	<b>5</b> 7" - 7-1/2" (178-190mm)	<b>5</b> 7" - 7-1/2" (180-190mm)	<b>5</b> 8" - 8-1/2" (205-220mm)	<b>5</b> 8" - 8-1/2" (205-220mm)	<b>5</b> 10" - 10-1/2" (255-270mm)
								<b>6</b> 7-1/2" - 9" (190-205mm)	<b>6</b> 8-1-1/2" - 9" (220-230mm)	<b>6</b> 8-1-1/2" - 10" (220-230mm)
								<b>7</b> 8" - 8-1/2" (205-215mm)	<b>7</b> 9" - 9-1/2" (230-245mm)	<b>7</b> 9" - 9-1/2" (230-245mm)
								<b>8</b> 8-1/2" - 9" (215-230mm)	<b>8</b> 9-1/2" - 10" (245-255mm)	<b>8</b> 9-1/2" - 10" (245-255mm)
								<b>9</b> 10" - 10-1/2" (255-270mm)	<b>9</b> 10-1/2" - 11" (270-280mm)	<b>9</b> 10-1/2" - 11" (270-280mm)
								<b>10</b> 10-1/2" - 11" (270-280mm)	<b>10</b> 11" - 11-1/2" (280-295mm)	<b>10</b> 11" - 11-1/2" (280-295mm)
								<b>11</b> 11" - 11-1/2" (280-295mm)	<b>11</b> 11-1/2" - 12" (295-310mm)	<b>11</b> 11-1/2" - 12" (295-310mm)
								<b>12</b> 11-1/2" - 12" (295-310mm)	<b>12</b> 12" - 13" (304-330mm)	<b>12</b> 12" - 13" (304-330mm)
								<b>13</b> 12" - 13" (304-330mm)	<b>13</b> 13" - 14" (330-355mm)	<b>13</b> 13" - 14" (330-355mm)
								<b>14</b> 13" - 14" (330-355mm)	<b>14</b> 14" - 15" (355-381mm)	<b>14</b> 14" - 15" (355-381mm)
								<b>15</b> 14" - 15" (355-381mm)	<b>15</b> 15" - 16" (381-406mm)	<b>15</b> 15" - 16" (381-406mm)
								<b>16</b> 15" - 16" (381-406mm)	<b>16</b> 16" - 17" (406-431mm)	<b>16</b> 16" - 17" (406-431mm)
								<b>17</b> 16" - 17" (406-431mm)	<b>17</b> 17" - 18" (431-457mm)	<b>17</b> 17" - 18" (431-457mm)
								<b>18</b> 17" - 18" (431-457mm)	<b>18</b> 18" - 19" (457-482mm)	<b>18</b> 18" - 19" (457-482mm)
								<b>19</b> 18" - 19" (457-482mm)	<b>19</b> 19" - 20" (482-508mm)	<b>19</b> 19" - 20" (482-508mm)

\* Note This is the #3 Universal For Reference

\*\*Base Dimension: Mini 4" (101mm) | #1 4-3/4" (120mm) | #2 6-1/4" (158mm) | #3 7-3/4" (196mm) | #4 9-1/4" (234mm) | #5 10-1/2" (266mm) | #6 12-1/2" (317mm) | #7 14-1/2" (368mm) | #8 16-1/2" (412mm) | #9 25-1/4" (641mm)

\* Find pipe size in table and trim Universal Master Flash® as shown on outline. • Use one size larger Universal Master Flash® on steep roofs or deep corrugation.  
 \* Cut the flashing at least 20% less than the pipe Outer Diameter

### 5 Easy Steps Installation Materials: Universal Master Flash® | Fasteners | Washers | Snips/Scissors | Measuring Tape | Marker/Pencil | Sealant

<p><b>1</b> Measure &amp; Trim</p> 	<p><b>2</b> Slide</p> 	<p><b>3</b> Form</p> 	<p><b>4</b> Seal</p> 	<p><b>5</b> Complete</p> 	 <p>Root Pitch Calculator  <a href="https://rpc.aztecwasher.com">https://rpc.aztecwasher.com</a></p>
---	---	---	--	--	---

Note: Properly installed the base with Master Seal® Bonded Washers and fasteners. Fasteners should be 1" - 1-1/2" apart around the entire base for a tight secure seal.

**Installation Video:** <http://www.aztecwasher.com/installationvideos>

universal Master Flash® is a product of Aztec Washer Company 2/2022