



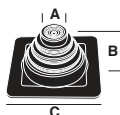
Pipe Range: 1/8" to 28-1/2"

| name | Part # | Compound | Pipe Range | Base |
|-------------|---------------|------------|-------------------------------------|-----------------|
| Mini | ICC-SQ051BX | Black EPDM | Closed- 1" (0- 25mm) | 2 -1/4" (57mm) |
| #1 | ICC-SQ101BX | Black EPDM | Closed- 2-3/4" (0- 70mm) | 4-1/2" (114mm) |
| #2 | ICC-SQ201BX | Black EPDM | 5/8" - 4" (15 - 101mm) | 6" (152mm) |
| #3 | ICC-SQ301BX | Black EPDM | Closed - 5-3/4" (0- 146mm) | 8" (203mm) |
| #4 | ICC-SQ401BX | Black EPDM | 2-3/4" - 7" (69 - 177mm) | 10" (254mm) |
| #5 | ICC-SQ501BX | Black EPDM | 4" - 8-1/4" (101 - 203mm) | 11" (279mm) |
| #6 | ICC-SQ601BX | Black EPDM | 4-3/4" - 10" (120 - 254mm) | 12" (304mm) |
| #7 | ICC-SQ701BX | Black EPDM | 6" - 11" (152 - 279mm) | 14" (355mm) |
| #8 | ICC-SQ801BX | Black EPDM | 6-3/4" - 12" (171 - 304mm) | 17" (431mm) |
| #8X-C | ICC-SQ801BXC | Black EPDM | Closed Top 0"-15-1/2" (0-393mm) | 19-1/2" (495mm) |
| #8X-O | ICC-SQ801BX0 | Black EPDM | Open Top 6-3/4"-15-1/2" (171-393mm) | 19-1/2" (495mm) |
| #9 | ICC-SQ901BX | Black EPDM | 9-1/2" - 20-1/2" (241 - 520mm) | 25" (635mm) |
| #9X | ICC-SQ901BXM | Black EPDM | 8"-20-1/2" (203 - 520mm) | 25" (635mm) |
| Maxi Closed | ICC-SQ951BX-C | Black EPDM | Closed Top 0" - 28-1/2" (0 - 724mm) | 34" (863mm) |
| Maxi Open | ICC-SQ951BX-O | Black EPDM | Open Top 12" - 28-1/2"(304 - 724mm) | 34" (863mm) |



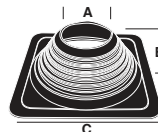
Mini Flashing Details

| | |
|-------------------------|----------------------|
| A-Top Opening | Closed |
| B-Cut to suit pipe size | Closed - 1" (0-25mm) |
| C-Base | 2 - 1/4" (57mm) |



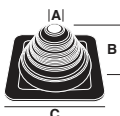
#1 Flashing Details

| | |
|-------------------------|-------------------------|
| A-Top Opening | Closed |
| B-Cut to suit pipe size | Closed- 2-3/4" (0-70mm) |
| C-Base | 4-1/2" (114mm) |



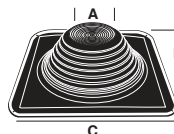
#8 Flashing Details

| | |
|-------------------------|------------------------|
| A-Top Opening | 6-3/4" (171mm) |
| B-Cut to suit pipe size | 6-3/4"-12" (171-304mm) |
| C-Base | 17" (431mm) |



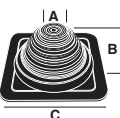
#2 Flashing Details

| | |
|-------------------------|------------------------|
| A-Top Opening | 5/8" (15mm) |
| B-Cut to suit pipe size | 5/8" - 4" (15 - 101mm) |
| C-Base | 6" (152mm) |



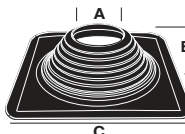
#8X-C Fix-A-Flash Flashing Details

| | |
|-------------------------|----------------------|
| A-Top Opening | Closed Top |
| B-Cut to suit pipe size | 0"-15-1/2" (0-393mm) |
| C-Base | 19-1/2" (495mm) |



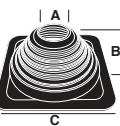
#3 Flashing Details

| | |
|-------------------------|---------------------------|
| A-Top Opening | Closed |
| B-Cut to suit pipe size | Closed - 5-3/4" (0-146mm) |
| C-Base | 8" (203mm) |



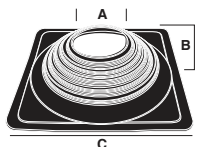
#8X-O Fix-A-Flash Flashing Details

| | |
|-------------------------|----------------------------|
| A-Top Opening | 6-3/4" (171mm) |
| B-Cut to suit pipe size | 6-3/4"-15-1/2" (171-393mm) |
| C-Base | 19-1/2" (495mm) |



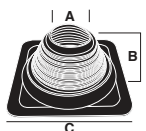
#4 Flashing Details

| | |
|-------------------------|--------------------------|
| A-Top Opening | 2-3/4" (69mm) |
| B-Cut to suit pipe size | 2-3/4" - 7" (69 - 177mm) |
| C-Base | 10" (254mm) |



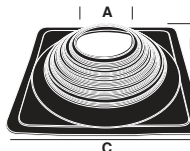
#9 Flashing Details

| | |
|-------------------------|--------------------------------|
| A-Top Opening | 8" (203mm) |
| B-Cut to suit pipe size | 9-1/2" - 20-1/2" (241 - 520mm) |
| C-Base | 25" (635mm) |



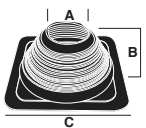
#5 Flashing Details

| | |
|-------------------------|---------------------------|
| A-Top Opening | 4" (101mm) |
| B-Cut to suit pipe size | 4" - 8-1/4" (101 - 209mm) |
| C-Base | 11" (279mm) |



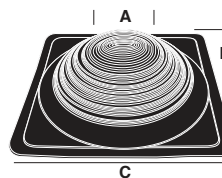
#9X Flashing Details

| | |
|-------------------------|------------------------|
| A-Top Opening | 8" (203mm) |
| B-Cut to suit pipe size | 8"-20-1/2" (203-520mm) |
| C-Base | 25" (635mm) |



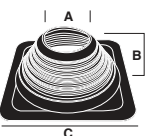
#6 Flashing Details

| | |
|-------------------------|----------------------------|
| A-Top Opening | 4-3/4" (120mm) |
| B-Cut to suit pipe size | 4-3/4" - 10" (120 - 254mm) |
| C-Base | 12" (304mm) |



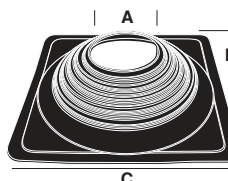
Maxi-C Closed Flashing Details

| | |
|-------------------------|----------------------|
| A-Top Opening | Closed |
| B-Cut to suit pipe size | 0"-28-1/2" (0-724mm) |
| C-Base | 34" (863mm) |



#7 Flashing Details

| | |
|-------------------------|------------------------|
| A-Top Opening | 6" (152mm) |
| B-Cut to suit pipe size | 6" - 11" (152 - 279mm) |
| C-Base | 14" (355mm) |



Maxi-O Open Flashing Details

| | |
|-------------------------|-------------------------|
| A-Top Opening | 12" (304mm) |
| B-Cut to suit pipe size | 12"-28-1/2" (304-724mm) |
| C-Base | 34" (863mm) |

35 Year Master Flash®

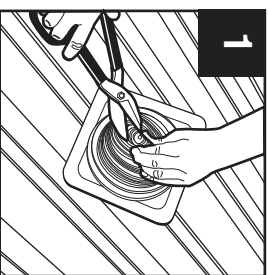
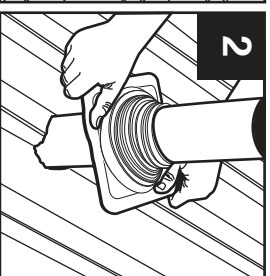
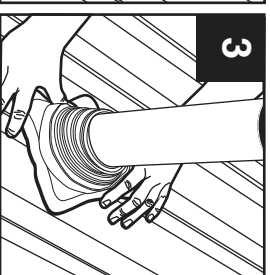
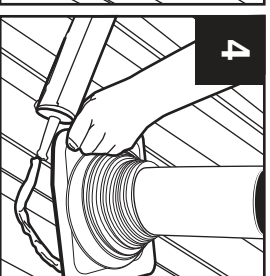
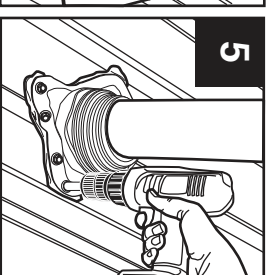

35 Year Size and Trimming

| 35 Year Pipe Range | #1 | #2 | #3 | #4 | #5 | #6 | #7 | #8 | #9 | Maxi |
|-------------------------------|-----------------------------|-----------------------------|-------------------------------|-------------------------------|-------------------------------|-------------------------------|-------------------------------|-------------------------------|-----------------------------|---------------------------------|
| Closed Top | Closed Top | Closed Top | Closed Top | | | | | | | |
| 1 1/4" - 2-1/2" (6-63mm) | 1 1/4" - 1-1/2" (6-38mm) | 1 5/8" - 1-3/4" (15-38mm) | 1 1/4" - 2-1/2" (6-63mm) | 1 2-3/4" - 3-3/4" (69-95mm) | 1 4" - 4-7/8" (102-124mm) | 1 4-3/4" - 6" (121-152mm) | 1 6" - 6-1/2" (152-165mm) | 1 6-3/4" - 7-1/4" (171-184mm) | 1 9-1/2" - 10" (241-254mm) | 1 12" - 12-1/2" (305-318mm) |
| 2 2-1/2" - 3-1/4" (64-83mm) | 2 1-1/2" - 1-3/4" (38-44mm) | 2 1-3/4" - 2-1/4" (38-44mm) | 2 1-1/2" - 3-1/4" (64-83mm) | 2 3-3/4" - 4-5/8" (95-117mm) | 2 4-7/8" - 5-1/2" (102-140mm) | 2 6" - 6-3/4" (152-171mm) | 2 7" - 7-1/2" (177-190mm) | 2 8" - 8-1/2" (203-215mm) | 2 11" - 11-1/2" (279-292mm) | 2 14-3/4" - 15-1/4" (375-387mm) |
| 3 3-1/4" - 4" (83-102mm) | 3 1-3/4" - 2-1/4" (44-57mm) | 3 2-1/4" - 2-3/4" (44-57mm) | 3 3-1/4" - 4" (83-102mm) | 3 4-5/8" - 5-1/2" (117-139mm) | 3 5-1/2" - 6" (140-152mm) | 3 6-3/4" - 7-1/2" (171-191mm) | 3 7-3/4" - 8-1/4" (196-209mm) | 3 8-1/2" - 9" (215-228mm) | 3 13" - 13-1/2" (330-342mm) | 3 16-3/4" - 17-1/4" (425-438mm) |
| 4 4" - 4-1/2" (102-114mm) | 4 2-1/4" - 2-3/4" (57-70mm) | 4 2-3/4" - 3-1/4" (70-82mm) | 4 4" - 4-1/2" (102-114mm) | 4 5-1/2" - 6" (139-152mm) | 4 6" - 6-1/2" (152-165mm) | 4 7-1/2" - 8" (191-203mm) | 4 8-3/4" - 9" (222-228mm) | 4 9" - 9-1/2" (228-241mm) | 4 15" - 16" (381-406mm) | 4 18-1/2" - 19" (470-483mm) |
| 5 4-1/2" - 5-1/4" (114-133mm) | 5 2-1/4" - 2-3/4" (57-70mm) | 5 2-3/4" - 3-1/4" (70-82mm) | 5 4-1/2" - 5-1/4" (114-133mm) | 5 5-1/2" - 6" (139-152mm) | 5 6-1/2" - 7" (165-178mm) | 5 8" - 8-3/4" (203-222mm) | 5 9-3/8" - 9-3/4" (238-247mm) | 5 10" - 10-1/2" (254-266mm) | 5 20" - 20-1/2" (508-521mm) | 5 23-3/8" - 23-7/8" (593-606mm) |
| 6 5-1/2" - 5-3/4" (133-146mm) | 6 2-1/4" - 2-3/4" (57-70mm) | 6 2-3/4" - 3-1/4" (70-82mm) | 6 5-1/2" - 5-3/4" (133-146mm) | 6 6-1/2" - 7" (165-177mm) | 6 7" - 7-3/4" (178-196mm) | 6 8-3/4" - 9-1/2" (222-241mm) | 6 10-1/8" - 11" (257-279mm) | 6 10-1/2" - 11" (266-279mm) | 6 25" - 25-1/2" (635-648mm) | 6 28" - 28-1/2" (711-724mm) |
| 7 5-1/2" - 5-3/4" (133-146mm) | 7 2-1/4" - 2-3/4" (57-70mm) | 7 2-3/4" - 3-1/4" (70-82mm) | 7 5-1/2" - 5-3/4" (133-146mm) | 7 6-1/2" - 7" (165-177mm) | 7 7-3/4" - 8-1/4" (196-210mm) | 7 9-1/2" - 10" (241-254mm) | 7 11-1/2" - 12" (292-304mm) | 7 11-1/2" - 12" (292-304mm) | 7 26-1/2" - 27" (673-686mm) | 7 28" - 28-1/2" (711-724mm) |

**Base Dimension: Mini 2-1/4" (57mm) | #1 4-1/2" (114mm) | #2 6" (152mm) | #3 8" (203mm) | #4 10" (254mm) | #5 11" (279mm) | #6 12" (304mm) | #7 14" (355mm) | #8 17" (431mm) | #8X 19-1/2" (495mm) | #9 25" (635mm) | #9X 25" (635mm) | Maxi 34" (863mm)

* Note This is the #3 35 Year For Reference

5 Easy Steps Installation Materials: 35 year Master Flash® | Fasteners | Washers | Snips/Scissors
 Measuring Tape | Marker/Pencil | Sealant

| Measure & Trim | Slide | Form | Seal | Complete |
|---|---|---|--|---|
|  |  |  |  |  |
|  | <p>Roof Pitch Calculator https://rpc.aztecwasher.com</p> | | | |
| #1 0" - 1" (0-25mm) | 1 6-3/4" - 7-3/4" (171-196mm) | #8X | 1 8" - 8-1/4" (203-216mm) | #9X |
| 2 1/8" - 3/4" (3-19mm) | 2 8" - 9-1/4" (203-241mm) | 2 9-1/2" - 10-1/2" (241-266mm) | 3 10-1/2" - 11-1/2" (266-292mm) | 3 11" - 11-1/2" (279-292mm) |
| | 3 9-1/2" - 10-1/2" (241-266mm) | 4 10-1/2" - 11-1/2" (266-292mm) | 4 11-1/2" - 12-1/2" (292-317mm) | 4 13" - 13-1/2" (330-342mm) |
| | 4 10-1/2" - 11-1/2" (266-292mm) | 5 11-1/2" - 12-1/2" (292-317mm) | 5 12-1/2" - 13-1/2" (317-342mm) | 5 15" - 16" (381-406mm) |
| | 5 11-1/2" - 12-1/2" (292-317mm) | 6 12-1/2" - 13-1/2" (317-342mm) | 6 13-1/2" - 14-1/2" (342-368mm) | 6 17-1/8" - 18" (434-457mm) |
| | 6 12-1/2" - 13-1/2" (317-342mm) | 7 14-1/2" - 15-1/2" (368-393mm) | 7 14-1/2" - 15-1/2" (368-393mm) | 6 20" - 20-1/2" (508-520mm) |
| | 7 14-1/2" - 15-1/2" (368-393mm) | 8 14-1/2" - 15-1/2" (368-393mm) | 8 14-1/2" - 15-1/2" (368-393mm) | 7 20" - 20-1/2" (508-520mm) |
| | | | | 7 20" - 20-1/2" (508-520mm) |
| | | | | 8 20" - 20-1/2" (508-520mm) |
| | | | | 9 20" - 20-1/2" (508-520mm) |

* Find pipe size in table and trim 35 Year Master Flash® as shown on outline. • Use one size larger 35 Year Master Flash® on steep roofs or deep corrugation.
 * Cut the flashing at least 20% less than the pipe Outer Diameter

Note: Properly installed the base with Master Seal® Bonded Washers and fasteners. Fasteners should be 1" - 1-1/2" apart around the entire base for a tight secure seal.



Installation Video: <http://www.aztecwasher.com/installationvideos>

35 Year Master Flash® is a product of Aztec Washer Company 4/2020