

PRODUCT INFORMATION PACKET

Model No: 5KC49NN0061T

Catalog No: 4688

Fan and Blower Motor, 1 HP, 1 Ph, 60 Hz, 115/208-230 V, 1800 RPM, 56Z Frame, DP



Regal and Marathon are trademarks of Regal Rexnord Corporation or one of its affiliated companies.

©2022 Regal Rexnord Corporation, All Rights Reserved. MC017097E

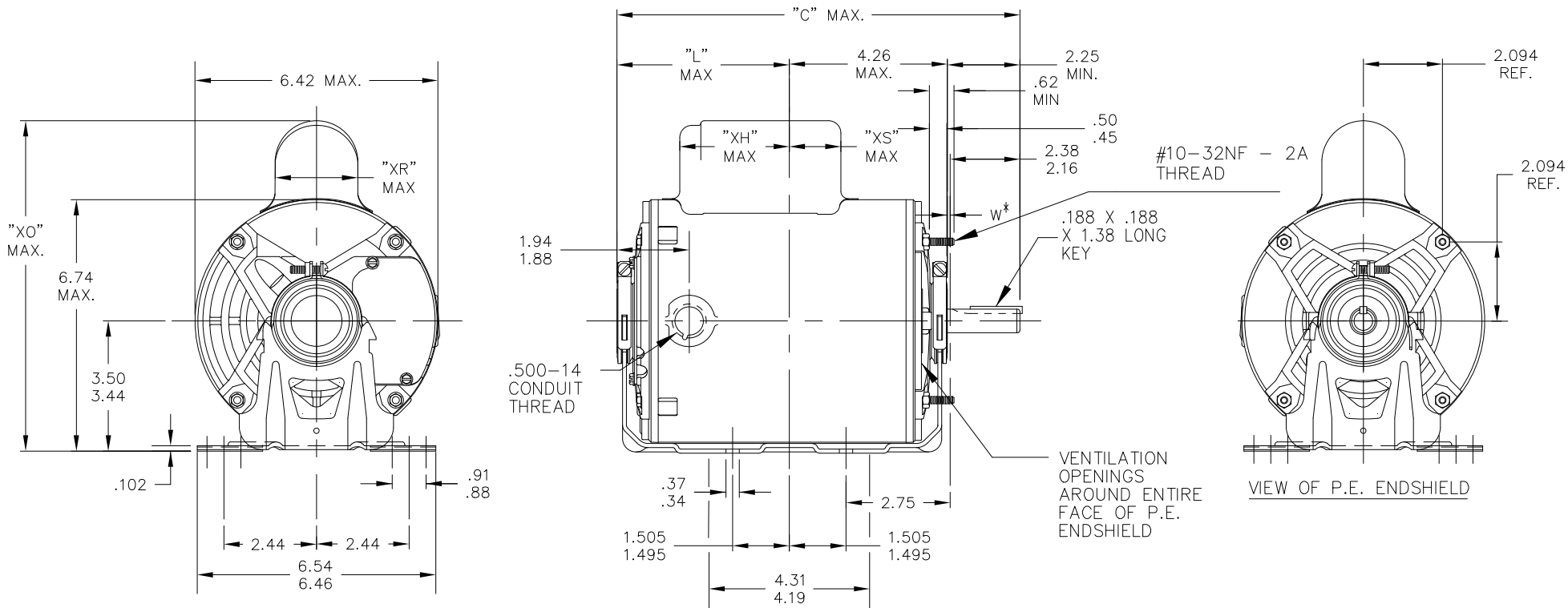
Nameplate Specifications

Output HP	1 Hp	Output KW	0.75 kW
Frequency	60 Hz	Voltage	115/208-230 V
Current	14.4,7.2-7.2 A	Speed	1725 rpm
Service Factor	1	Phase	1
Efficiency	69 %	Power Factor	0
Duty	Continuous	Insulation Class	B
KVA Code	J	Frame	56Z
Enclosure	Drip Proof	Thermal Protection	Automatic
Ambient Temperature	40 °C	Drive End Bearing Size	6203
Opp Drive End Bearing Size	6203	UL	Recognized
CSA	Yes	CE	N
Number of Speeds	1		

Technical Specifications

Electrical Type	Capacitor Start Induction Run	Starting Method	SM
Poles	4	Rotation	Counterclockwise/Clockwise
Mounting	Resilient Base	Motor Orientation	ANY
Drive End Bearing	BALL	Opp Drive End Bearing	Ball
Frame Material	Rolled Steel	Overall Length	10.77 in
Frame Length	7.15 in	Shaft Diameter	0.630 in
Shaft Extension	2.25 in	Thru-bolts Extension	0 in
Outline Drawing	52A107762P2	Connection Drawing	52A105383AA


This is an uncontrolled document once printed or downloaded and is subject to change without notice. Date Created:11/28/2022



*W IS A VARIABLE CLEARANCE DUE TO VARIATIONS IN PARTS AND ASSEMBLY

ALL DIMENSIONS ARE IN INCHES

2	KC	49	56Z	11.75	5.22	1.75	8.22	1.60	3.45		7.15
1	KC	46	56Z	11.15	4.62	3.03	8.22	1.60	2.73		6.55
P	TYPE	FR SIZE	NEMA FR.	"C"	"L"	"XH"	"XO"	"XR"	"XS"		MIN. SHELL

TOLERANCES UNLESS SPECIFIED				 REGAL-BELOIT CORPORATION				DRAWN AP 8/19/22	
DEC.		INCHES						CHK SN 08/19/22	
.X		±.1						APPD	
.XX		±.03						SCALE 3=8	
.XXX		±.005		TITLE OUTLINE					
.XXXX		±.0005		GENERAL PURPOSE MOTOR DRIP PROOF					
.XXXX		±.0005		MAT'L.					
.XXXX		±.0005		FINISH					
.XXXX		±.0005		PREV					

01	REDRWAN AND CHANGED BASE PER ECR-0220283	AP 08/19/22	SN	.XXXX	±.0005
NO.	REVISION	BY & DATE	CHK	ANG	±1/2"

THIS DRAWING IN DESIGN AND DETAIL IS OUR PROPERTY AND MUST NOT BE USED EXCEPT IN CONNECTION WITH OUR WORK ALL RIGHTS OF DESIGN AND INVENTION ARE RESERVED THIS IS AN ELECTRONICALLY GENERATED DOCUMENT - DO NOT SCALE THIS PRINT

RFP	CAD FILE	52A107762	SIZE	DRAWING NO.	REV.
DIST	3 of 4		A	52A107762	01

EITHER ROTATION, DUAL VOLTAGE, TYPE KC OR KH, WITH THERMAL PROTECTION



NOTE #1 - START CAP & J9 WHEN SPECIFIED (*). IF NO CAPACITOR (KH), CONNECT T5 DIRECTLY TO SWITCH (A). WHEN MORE THAN ONE CAPACITOR IS USED, CONNECT IN PARALLEL.

NOTE #2 - TO REVERSE ROTATION, INTER CHANGE RD(T8) AND BLK(J9-KC OR T5-KH) LEADS.

SWITCH REF. - 115D958AB	CONNECTION LABEL	CCW ROTATION: NP52X332051AA
		CW ROTATION: NP52X332051AC

NO.	REVISION	BY & DATE	CHK	ANG	FINISH	TOLERANCES UNLESS SPECIFIED		DRAWN M.D.P 06/29/87		
						DEC.	INCHES			
						.X	±0.1	REGAL-BELOIT CORPORATION TITLE CONNECTION DIAGRAM 30 FRAME SWITCH REDESIGN		
						.XX	±0.02			
5	ADDED CONNECTION LABEL PER ECO-0030779	UD 02/06/13	PKG	.XXX	±0.005			CHK		
4	UPDATED PER ISO7-0150	MD 01/23/07		.XXXX	±0.0005	MAT'L.		APPD M.D.P 03/26/96		
								SCALE 1=1		
								REF		
								FMF		
								PREV		
THIS DRAWING IN DESIGN AND DETAIL IS OUR PROPERTY AND MUST NOT BE USED EXCEPT IN CONNECTION WITH OUR WORK. ALL RIGHTS OF DESIGN AND INVENTION ARE RESERVED. THIS IS AN ELECTRONICALLY GENERATED DOCUMENT - DO NOT SCALE THIS PRINT						RFP	CAD FILE 52A105383AA	SIZE A	DRAWING NO. 52A105383AA	REV. 5
						DIST				