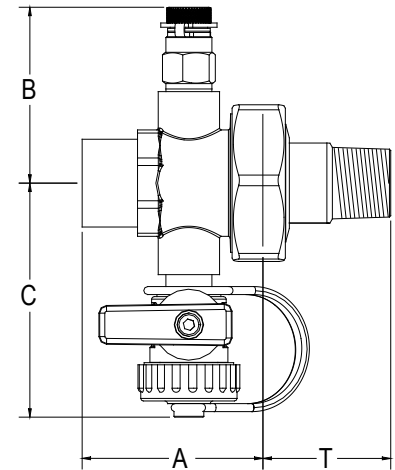


Model US Union offers numerous end connections, pressure/temperature measurement and drain.

The union has an EPDM O-ring seal and tailpiece available in MNPT, FNPT and SWT end connections. Standard features include Pressure/Temperature Port, and Hose End Drain Valve.

SPECIFICATIONS

Pressure Ratings: 600 PSI (4140 kPa)
 Temperature Ratings: 250°F (120°C)
 Body Material: Forged Brass
 End Connections: Brass - Fixed End: SWT, FNPT;
 Union End: SWT, FNPT, & MNPT
 Seals: EPDM
 Available Options: "PTV" combination PT & air vent, port extensions.



NOMINAL DIMENSIONS & WEIGHTS

Size		A		B	C	*T	Wgt		
in	mm	FNPT	SWT			MPT	lbs	kg	
3/8"	10	in	N/A	1.86	2.52	1.83	0.75	0.94	0.43
		mm	N/A	47.24	64.00	46.48	19.05		
1/2"	15	in	1.99	1.88	2.52	1.83	0.38	1.04	0.49
		mm	50.47	47.68	64.00	46.48	21.08		
3/4"R	20R	in	2.04	2.12	2.75	2.07	0.98	0.97	0.44
		mm	51.82	53.90	69.85	52.56	24.89		
3/4"	20	in	2.04	2.12	2.52	1.83	0.98	1.24	0.56
		mm	51.82	53.90	64.00	46.48	24.89		
1"	25	in	2.15	2.28	2.75	2.07	0.92	1.39	0.69
		mm	54.56	57.85	69.85	52.56	23.37		
1-1/4"	32	in	2.39	2.56	3.11	2.45	1.43	2.48	1.18
		mm	60.63	65.05	78.99	62.23	36.32		
1-1/2"	40	in	2.39	2.69	3.11	2.48	1.17	2.79	1.33
		mm	60.63	68.35	78.99	60.96	29.72		
2"	50	in	2.49	3.03	3.43	2.75	1.50	3.77	1.82
		mm	63.30	76.96	87.12	69.85	38.10		

* Please reference the tailpiece data sheet (Form #M-TP) for other sizes and connections.
Dimensions not for construction purposes unless certified by factory.

STANDARD COMPONENTS



Pressure/Temperature test port with brass body, dual durometer EPDM core, brass cap with O-ring seal and neoprene retainer strap. Accepts standard 1/8" (4mm) gauge adapter or thermometer stem. Rated to 500 PSI (3450 kPa) and 275°F (135°C).



Drain valve with forged brass body, chrome plated ball, Teflon seats, double EPDM O-ring stem seals, aluminum handle, 3/4" hose connection with cap and plastic retainer strap. Rated to 600 PSI (4140 kPa) WOG and 250°F (120°C).

Please reference data sheet (Form #M-ACC) for optional accessories.

Optional features and accessories available for this Macon product are an extra charge, and not included in the standard model price.

Tunstall Corporation
 118 Exchange Street
 Chicopee, MA 01013