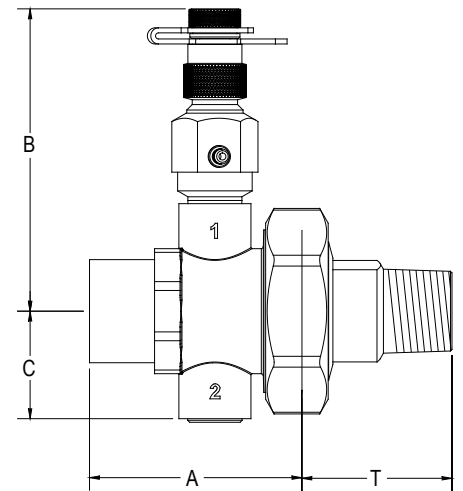


*Model URP Union offers numerous end connections, pressure/temperature measurement and vent.*  
*The union has an EPDM O-ring seal and tailpiece available in MNPT, FNPT and SWT end connections. Standard features include "PTV" Combination PT and Air Vent.*

### SPECIFICATIONS

Pressure Ratings:	600 PSI (4140 kPa)
Temperature Ratings:	250 °F (120 °C)
Body Material:	Forged Brass
End Connections:	Brass - Fixed End: SWT, FNPT Union End: SWT, FNPT, & MNPT
Seals:	EPDM
Available Options:	Hose end drain valve, port extensions.



### NOMINAL DIMENSIONS & WEIGHTS

Size		A			B	C	*T MPT	Wgt	
in	mm		FNPT	SWT				lbs	kg
3/8"	10	in	N/A	1.88	2.78	0.87	N/A	0.76	0.35
		mm	N/A	47.68					
1/2"	15	in	1.99	1.88	2.78	0.87	1.50	0.86	0.39
		mm	50.47	47.68					
3/4"R	20	in	2.04	2.12	2.78	0.87	1.55	0.79	0.36
		mm	51.82	53.90					
3/4"	20	in	2.04	2.12	3.02	1.11	1.56	1.06	0.48
		mm	51.82	53.90					
1"	25	in	2.15	2.28	3.02	1.11	1.75	1.16	0.53
		mm	54.56	57.85					
1-1/4"	32	in	2.39	2.56	3.39	1.49	1.80	2.20	1.00
		mm	60.63	65.05					
1-1/2"	40	in	2.39	2.69	3.39	1.49	1.80	2.42	1.10
		mm	60.63	68.35					
2"	50	in	2.49	3.03	3.70	1.80	1.98	3.42	1.55
		mm	63.30	76.96					

\* Please reference the tailpiece data sheet (Form #M-TP) for other sizes and connections.  
**Dimensions not for construction purposes unless certified by factory.**

### STANDARD COMPONENTS



Combination manual air vent and pressure/temperature test port with brass body, dual durometer EPDM core, blowout-proof stem, side discharge vent with 1/8" (4mm) hose barb, threaded brass cap with O-ring seal and neoprene retainer strap. Accepts standard 1/8" (4mm) gauge adapter or thermometer stem. Rated to 250 PSI (1725 kPa) and 250°F (120°

Please reference data sheet (Form #M-ACC) for optional accessories.

Optional features and accessories available for this Macon product are an extra charge, and not included in the standard model price.

**Tunstall Corporation**  
**118 Exchange Street**  
**Chicopee, MA 01013**