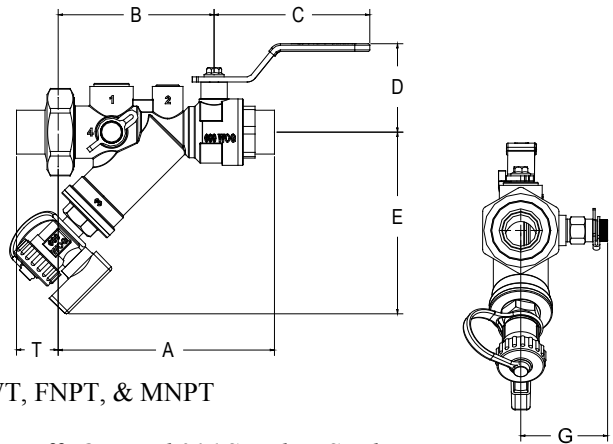


**Model SV is a combination ball valve, wye strainer, and union. The ball valve has a chrome plated ball, Teflon seats, and double o-ring shaft seals. The strainer section includes a 20 mesh stainless steel strainer screen. Standard features include Pressure/Temperature port, hose end drain valve, and plugged bypass port. Union end has o-ring seal. Available with many combinations of end connection types and sizes.**



### SPECIFICATIONS

Pressure Ratings: 600 PSI (4140 kPa)  
 Temperature Ratings: 250F (120C)  
 Body Material: Forged Brass  
 End Connections: Brass - Fixed End: SWT, FNPT; Union End: SWT, FNPT, & MNPT  
 Seals: EPDM  
 Ball: Chrome Plated Brass, full port, 100% positive shut-off. *Optional 316 Stainless Steel.*  
 Stem: Brass. *Optional 316 Stainless Steel.*  
 Handle: Full size Zinc Plated lever with Vinyl Grip  
 Available Options: "PTV" combination PT & air vent, automatic air vent, handle and PT extensions.

### NOMINAL DIMENSIONS & WEIGHTS

Size		A		B	C	D	E	G	*T SWT	Bypass Port	Wgt	
in	mm	FNPT	SWT								lbs	kg
1/2"	15	in	4.16	4.25	3.00	3.66	1.98	3.41	1.83	1/2"	1.80	0.82
		mm	105.56	107.95	76.20	93.96	50.29	86.48	46.45			
3/4" R	20	in	4.30	4.37	3.00	3.66	1.98	3.41	1.83	1/2"	1.81	0.82
		mm	109.25	111.05	76.20	92.96	50.29	86.48	46.45			
3/4"	20	in	4.97	5.09	3.67	3.66	2.08	3.88	2.06	1/2"	2.45	1.11
		mm	126.24	129.21	93.22	92.96	52.74	98.55	52.34			
1" R	25	in	5.11	5.25	3.67	3.66	2.08	3.88	2.06	1/2"	2.46	1.12
		mm	129.79	133.35	93.22	92.96	52.74	98.55	52.34			
1-1/4"	32	in	6.63	6.80	4.94	5.03	2.44	5.62	2.43	3/4"	5.41	2.45
		mm	168.30	172.72	125.48	127.76	61.90	142.98	61.74			
1-1/2" R	40	in	6.63	6.93	4.94	5.03	2.44	5.62	2.43	3/4"	5.25	2.38
		mm	168.30	176.02	125.43	127.76	61.90	142.98	61.74			
2" R	50	in	9.56	10.35	7.44	5.66	2.83	5.31	2.74	1-1/4"	9.42	4.82
		mm	232.13	262.89	188.98	143.76	71.88	134.87	69.54			

\* Please reference the tailpiece data sheet (Form #M-TP) for other sizes and connections.

**Dimensions not for construction purposes unless certified by factory.**

### STANDARD COMPONENTS



Pressure/Temperature test port with brass body, dual durometer EPDM core, brass cap with O-ring seal and neoprene retainer strap. Accepts standard 1/8" (4mm) gauge adapter or thermometer stem. Rated to 500 PSI (3450 kPa) and 275°F (135°C).



Drain valve with forged brass body, chrome plated ball, Teflon seats, double EPDM O-ring stem seals, aluminum handle, 3/4" hose connection with cap and plastic retainer strap. Rated to 600 PSI (4140 kPa) WOG and 250°F (120°C).

Please reference data sheet (Form #M-ACC) for optional accessories.

Optional features and accessories available for this Macon product are an extra charge, and not included in the standard model price.

**Tunstall Corporation**  
 118 Exchange Street  
 Chicopee, MA 01013