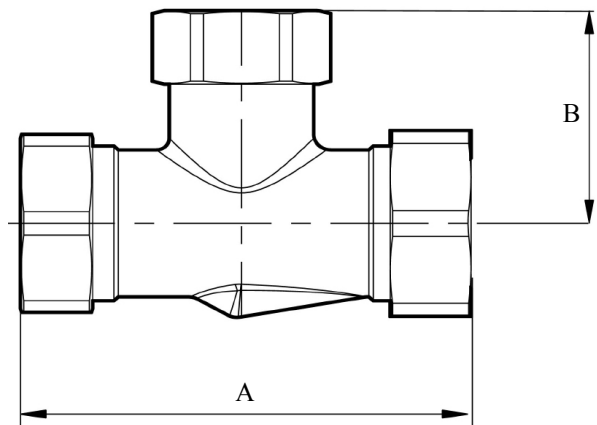


Areas of use

The RVR valves are used as a shut-off or isolation valve on radiators.

Specification Data

Disc Material: EPDM
 Body Style: Straight
 Maximum Steam Pressure: 15 psig
 Maximum Static Pressure: 145 PSI
 Maximum Water Temperature: 250° F
 Body Tappings: Female NPT inlet, male NPT union outlet
 Body Material: Forged brass, nickel plated



TECHNICAL DATA

Model	Cv - Value	A	B	Weight
RVR- 1/2 "	1.5	2.28"	1.30"	0.42 lb
RVR- 3/4 "	2.3	2.56"	1.69"	0.79 lb



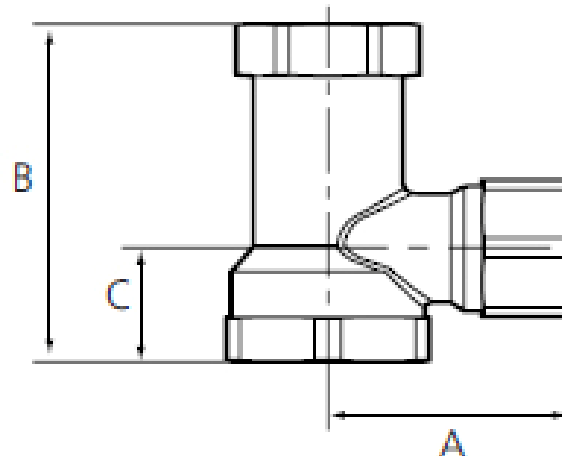


Areas of use

The RVV valves are used as a shut-off or isolation valve on radiators.

Specification Data

Disc Material: EPDM
 Body Style: Angle
 Maximum Steam Pressure: 15 psig
 Maximum Static Pressure: 145 PSI
 Maximum Water Temperature: 250° F
 Body Tappings: Female NPT inlet, male NPT union outlet
 Body Material: Forged brass, nickel plated



TECHNICAL DATA

Model	Cv - Value	A	B	C	Weight
RVV- 1/2 "	1.5	2.17"	2.13"	0.94"	0.36 lb
RVV- 3/4 "	2.3	2.52"	2.52"	1.10"	0.66 lb

