

SUBMITTAL DATA

MUL48HP230V1R32AO
48000 BTU/H Multi-Zone Heat Pump System

Job Name

Location

Date

Purchaser

Engineer

Submitted to

For

Unit Designation

Schedule No.



MUL48HP230V1R32AO

GENERAL FEATURES

- AHRI Certificate: [217101784 \(Non-Ducted\)](#)
- [217101785 \(Ducted\)](#)
- [217101786 \(Mixed\)](#)
- High Efficiency DC Inverter Technology
- Compact and Quiet Design
- Auto Restart on Power Outages
- Multi-point Diagnostics
- Wi-Fi Included (Factory Installed)
- Low Ambient Cooling down to -22°F (Range -22°F to 118°F)
- Low Ambient Heating down to -22°F (Range -22°F to 75°F)
- Coil (Indoor and Outdoor) Copper Tube / Aluminum Fin
- Blue Colored Fin - 500 Hrs Salt Spray Tested

MULTI-ZONE COMPATIBILITY CHART

WALL MOUNT OPTIONS

	MULTI-ZONE					
	MUL18HP230V1R32AO	MUL24HP230V1R32AO	MUL30HP230V1R32AO	MUL36HP230V1R32AO	MUL42HP230V1R32AO	MUL48HP230V1R32AO
LIVO						
System Model no.						
LIV05HP230V1R32AH	•	•	•	•	•	•
LIV07HP230V1R32AH	•	•	•	•	•	•
LIV09HP230V1R32AH	•	•	•	•	•	•
LIV12HP230V1R32AH	•	•	•	•	•	•
LIV18HP230V1R32AH		•	•	•	•	•
LIV24HP230V1R32AH			•	•	•	•
LIV30HP230V1R32AH						
LIV36HP230V1R32AH						
VIREO						
System Model no.						
VIR09HP230V1R32AH	•	•	•	•	•	•
VIR12HP230V1R32AH	•	•	•	•	•	•
VIR18HP230V1R32AH		•	•	•	•	•
VIR24HP230V1R32AH			•	•	•	•
ENVO						
System Model no.						
ENV09HP230V1R32AH	•	•	•	•	•	•
ENV12HP230V1R32AH	•	•	•	•	•	•
ENV18HP230V1R32AH		•	•	•	•	•
ENV24HP230V1R32AH			•	•	•	•
SAPPHIRE						
System Model no.						
SAP09HP230V1R32AH	•	•	•	•	•	•
SAP12HP230V1R32AH	•	•	•	•	•	•
SAP18HP230V1R32AH		•	•	•	•	•
SAP24HP230V1R32AH			•	•	•	•

ADDITIONAL INDOOR UNIT OPTIONS

	MULTI-ZONE					
	MUL18HP230V1R32AO	MUL24HP230V1R32AO	MUL30HP230V1R32AO	MUL36HP230V1R32AO	MUL42HP230V1R32AO	MUL48HP230V1R32AO
ONE WAY CASSETTE						
System Model no.						
OWC09HP230V1R32AH	•	•	•	•	•	•
OWC12HP230V1R32AH	•	•	•	•	•	•
OWC18HP230V1R32AH		•	•	•	•	•
OWC20HP230V1R32AH			•	•	•	•
CEILING CASSETTE						
System Model no.						
CAS09HP230V1R32AH	•	•	•	•	•	•
CAS12HP230V1R32AH	•	•	•	•	•	•
CAS18HP230V1R32AH		•	•	•	•	•
CAS24HP230V1R32AH			•	•	•	•
SLIM DUCT						
System Model no.						
DUC09HP230V1R32AH	•	•	•	•	•	•
DUC12HP230V1R32AH	•	•	•	•	•	•
DUC18HP230V1R32AH		•	•	•	•	•
DUC24HP230V1R32AH			•	•	•	•
FLOOR/CEILING						
System Model no.						
FLR09HP230V1R32AH	•	•	•	•	•	•
FLR12HP230V1R32AH	•	•	•	•	•	•
FLR18HP230V1R32AH		•	•	•	•	•
FLR24HP230V1R32AH			•	•	•	•
MINI-CONSOLE						
System Model no.						
CON09HP230V1R32AH	•	•	•	•	•	•
CON12HP230V1R32AH	•	•	•	•	•	•
CON18HP230V1R32AH		•	•	•	•	•

NOTE: R32 Indoor units are only compatible with R32 Outdoor units. Keep in mind, line set is always sized by the indoor unit valve diameter.

SPECIFICATIONS, FEATURES & FUNCTION SUMMARY

SYSTEM TYPE		HEAT PUMP	
Outdoor Model		MUL48HP230V1R32AO	
Number of Zones		2 - 5	
SYSTEM PERFORMANCE (Non-Ducted Indoor Units)			
Cooling Capacity	Min - Max	Btu/h	8,870 - 49,133
	Rated Capacity @95°F	Btu/h	48,000
Heating Capacity	Min - Max	Btu/h	8,870 - 54,592
	Rated Capacity @47°F	Btu/h	48,000
	Rated Capacity @17°F	Btu/h	40,000
	Rated Capacity @5°F	Btu/h	37,800
SEER2		21	
EER2		12.0	
HSPF2		10.0	
COP @5°F		2.10	
SYSTEM PERFORMANCE (Ducted Indoor Units)			
Cooling Capacity	Min - Max	Btu/h	8,870 - 49,133
	Rated Capacity @95°F	Btu/h	48,000
Heating Capacity	Min - Max	Btu/h	8,870 - 54,592
	Rated Capacity @47°F	Btu/h	48,000
	Rated Capacity @17°F	Btu/h	40,000
	Rated Capacity @5°F	Btu/h	36,000
SEER2		18.0	
EER2		11.7	
HSPF2		8.1	
COP @5°F		1.90	
SYSTEM PERFORMANCE (Mixed Ducted and Non-Ducted Indoor Units)			
Cooling Capacity	Min - Max	Btu/h	8,870 - 49,133
	Rated Capacity @95°F	Btu/h	48,000
Heating Capacity	Min - Max	Btu/h	8,870 - 54,592
	Rated Capacity @47°F	Btu/h	48,000
	Rated Capacity @17°F	Btu/h	40,000
	Rated Capacity @5°F	Btu/h	37,000
SEER2		19.0	
EER2		11.8	
HSPF2		9.0	
COP @5°F		1.84	
OUTDOOR UNIT		MUL48HP230V1R32AO	
Cooling Temperature Range	°F	-22 - 118	
Heating Temperature Range	°F	-22 - 75	
Refrigerant Type		R32	
Compressor Type		GREE G-20 / Double Cylinder / 1 - STAGE INVERTER	
Sound Pressure Level	dB(A)	59	
External Dimensions (W x H x D)	in	40-10/64 x 32-33/64 x 16-52/64	
Package Dimension (W x H x D)	in	43-1/32 x 34-27/32 x 19-9/16	
Net Weight	lbs	174.2	
Gross Weight	lbs	189.6	
REFRIGERANT PIPING			
Refrigerant Charge - R32		oz	95.256
Compressor Type		GREE G-20 / Double Cylinder / 1 - STAGE INVERTER	
Additional Charge		oz/ft	0.2
Port Size (Liquid - Gas)	Port A (in)	1/4 - 3/8	
	Port B (in)	1/4 - 3/8	
	Port C (in)	1/4 - 3/8	
	Port D (in)	1/4 - 3/8	
	Port E (in)	1/4 - 3/8	
Pre-Charge Length		ft	164
Pipe Length (Min - Max)		ft	10 - 328
Pipe Length to furthest Indoor Unit		ft	82
Max. Pipe Elevation		ft	82
ELECTRICAL			
Power Supply		208-230V / 1Ph / 60Hz	
Voltage Range (Min - Max)		VAC	187 - 253
Rated Current - Cooling		A	21.7
Rated Current - Heating		A	22.6
MOCP		A	35
MCA		A	30
Main Power Wire Size		AWG	Per Local Code
Interconnecting Wire Size		AWG	14 / 4
FEATURES & FUNCTIONS SUMMARY			
Inverter Type		G20	
Ultra Low Frequency Torque Control		Yes	
Compressor Type - Inverter		Yes	
Basepan With Electric Heater		High Efficiency Rotary	
Indoor & Outdoor Fin Coating (Blue Fin)		Yes	
Intelligent Defrosting		Yes	
Intelligent Preheating		Yes	
Low Voltage Startup		Yes	
Memory/Power Failure Recovery		Yes	
Self Diagnosis		Yes	

ALLOWABLE COMBINATIONS CAPACITIES

MODEL NUMBER	POSSIBLE COMBINATIONS*	COOLING CAPACITY (Btu/h)					HEATING CAPACITY (Btu/h)				
		ZONE1	ZONE2	ZONE3	ZONE4	ZONE5	ZONE1	ZONE2	ZONE3	ZONE4	ZONE5
MUL48HP230V1R32AO	7K+7K+7K+7K	7,000	7,000	7,000	7,000		8,000	8,000	8,000	8,000	
MUL48HP230V1R32AO	5K+5K+7K+7K	5,000	5,000	7,000	7,000		6,000	6,000	8,000	8,000	
MUL48HP230V1R32AO	5K+7K+7K+7K	5,000	7,000	7,000	7,000		6,000	8,000	8,000	8,000	
MUL48HP230V1R32AO	5K+5K+5K+5K+5K	5,000	5,000	5,000	5,000	5,000	6,000	6,000	6,000	6,000	6,000
MUL48HP230V1R32AO	7K+7K+7K+7K+7K	7,000	7,000	7,000	7,000	7,000	8,000	8,000	8,000	8,000	8,000
MUL48HP230V1R32AO	5K+5K+5K+5K+7K	5,000	5,000	5,000	5,000	7,000	6,000	6,000	6,000	6,000	8,000
MUL48HP230V1R32AO	5K+5K+5K+7K+7K	5,000	5,000	5,000	7,000	7,000	6,000	6,000	6,000	8,000	8,000
MUL48HP230V1R32AO	5K+5K+7K+7K+7K	5,000	5,000	7,000	7,000	7,000	6,000	6,000	8,000	8,000	8,000
MUL48HP230V1R32AO	5K+7K+7K+7K+7K	5,000	7,000	7,000	7,000	7,000	6,000	8,000	8,000	8,000	8,000
MUL48HP230V1R32AO	9K+18K	9,000	18,000				9,000	18,000			
MUL48HP230V1R32AO	9K+24K	9,000	24,000				9,000	24,000			
MUL48HP230V1R32AO	12K+12K	12,000	12,000				12,000	12,000			
MUL48HP230V1R32AO	12K+18K	12,000	18,000				12,000	18,000			
MUL48HP230V1R32AO	12K+24K	12,000	24,000				12,000	24,000			
MUL48HP230V1R32AO	18K+18K	18,000	18,000				18,000	18,000			
MUL48HP230V1R32AO	18K+24K	18,000	24,000				18,000	24,000			
MUL48HP230V1R32AO	24K+24K	24,000	24,000				24,000	24,000			
MUL48HP230V1R32AO	9K+9K+9K	9,000	9,000	9,000			9,000	9,000	9,000		
MUL48HP230V1R32AO	9K+9K+12K	9,000	9,000	12,000			9,000	9,000	12,000		
MUL48HP230V1R32AO	9K+9K+18K	9,000	9,000	18,000			9,000	9,000	18,000		
MUL48HP230V1R32AO	9K+9K+24K	9,000	9,000	24,000			9,000	9,000	24,000		
MUL48HP230V1R32AO	9K+12K+12K	9,000	12,000	12,000			9,000	12,000	12,000		
MUL48HP230V1R32AO	9K+12K+18K	9,000	12,000	18,000			9,000	12,000	18,000		
MUL48HP230V1R32AO	9K+12K+24K	9,000	12,000	24,000			9,000	12,000	24,000		
MUL48HP230V1R32AO	9K+18K+18K	9,000	18,000	18,000			9,000	18,000	18,000		
MUL48HP230V1R32AO	9K+18K+24K	8,470	16,941	22,589			8,470	16,941	22,589		
MUL48HP230V1R32AO	9K+24K+24K	7,580	20,210	20,210			7,580	20,210	20,210		
MUL48HP230V1R32AO	12K+12K+12K	12,000	12,000	12,000			12,000	12,000	12,000		
MUL48HP230V1R32AO	12K+12K+18K	12,000	12,000	18,000			12,000	12,000	18,000		
MUL48HP230V1R32AO	12K+12K+24K	12,000	12,000	24,000			12,000	12,000	24,000		
MUL48HP230V1R32AO	12K+18K+18K	12,000	18,000	18,000			12,000	18,000	18,000		
MUL48HP230V1R32AO	12K+18K+24K	10,666	16,000	21,334			10,666	16,000	21,334		
MUL48HP230V1R32AO	12K+24K+24K	9,600	19,200	19,200			9,600	19,200	19,200		
MUL48HP230V1R32AO	18K+18K+18K	16,000	16,000	16,000			16,000	16,000	16,000		
MUL48HP230V1R32AO	18K+18K+24K	14,400	14,400	19,200			14,400	14,400	19,200		
MUL48HP230V1R32AO	18K+24K+24K	13,090	17,455	17,455			13,090	17,455	17,455		
MUL48HP230V1R32AO	24K+24K+24K	16,000	16,000	16,000			16,000	16,000	16,000		
MUL48HP230V1R32AO	9K+9K+9K+9K	9,000	9,000	9,000	9,000		9,000	9,000	9,000	9,000	
MUL48HP230V1R32AO	9K+9K+9K+12K	9,000	9,000	9,000	12,000		9,000	9,000	9,000	12,000	
MUL48HP230V1R32AO	9K+9K+9K+18K	9,000	9,000	9,000	18,000		9,000	9,000	9,000	18,000	
MUL48HP230V1R32AO	9K+9K+9K+24K	8,470	8,470	8,470	22,590		8,470	8,470	8,470	22,590	
MUL48HP230V1R32AO	9K+9K+12K+12K	9,000	9,000	12,000	12,000		9,000	9,000	12,000	12,000	

MODEL NUMBER	POSSIBLE COMBINATIONS*	COOLING CAPACITY (Btu/h)					HEATING CAPACITY (Btu/h)				
		ZONE1	ZONE2	ZONE3	ZONE4	ZONE5	ZONE1	ZONE2	ZONE3	ZONE4	ZONE5
MUL48HP230V1R32AO	9K+9K+12K+18K	9,000	9,000	12,000	18,000		9,000	9,000	12,000	18,000	
MUL48HP230V1R32AO	9K+9K+12K+24K	8,000	8,000	10,666	21,334		8,000	8,000	10,666	21,334	
MUL48HP230V1R32AO	9K+9K+18K+18K	8,000	8,000	16,000	16,000		8,000	8,000	16,000	16,000	
MUL48HP230V1R32AO	9K+9K+18K+24K	7,200	7,200	14,400	19,200		7,200	7,200	14,400	19,200	
MUL48HP230V1R32AO	9K+12K+12K+12K	9,000	12,000	12,000	12,000		9,000	12,000	12,000	12,000	
MUL48HP230V1R32AO	9K+12K+12K+18K	8,470	11,294	11,294	16,942		8,470	11,294	11,294	16,942	
MUL48HP230V1R32AO	9K+12K+12K+24K	7,580	10,105	10,105	20,210		7,580	10,105	10,105	20,210	
MUL48HP230V1R32AO	9K+12K+18K+18K	7,579	10,105	15,158	15,158		7,579	10,105	15,158	15,158	
MUL48HP230V1R32AO	9K+12K+18K+24K	6,857	9,143	13,715	18,285		6,857	9,143	13,715	18,285	
MUL48HP230V1R32AO	9K+18K+18K+18K	6,858	13,714	13,714	13,714		6,858	13,714	13,714	13,714	
MUL48HP230V1R32AO	12K+12K+12K+12K	12,000	12,000	12,000	12,000		12,000	12,000	12,000	12,000	
MUL48HP230V1R32AO	12K+12K+12K+18K	10,666	10,666	10,666	16,002		10,666	10,666	10,666	16,002	
MUL48HP230V1R32AO	12K+12K+12K+24K	9,600	9,600	9,600	19,200		9,600	9,600	9,600	19,200	
MUL48HP230V1R32AO	12K+12K+18K+18K	9,600	9,600	14,400	14,400		9,600	9,600	14,400	14,400	
MUL48HP230V1R32AO	12K+18K+18K+18K	8,730	13,090	13,090	13,090		8,730	13,090	13,090	13,090	
MUL48HP230V1R32AO	12K+18K+18K+24K	8,000	12,000	12,000	16,000		8,000	12,000	12,000	16,000	
MUL48HP230V1R32AO	18K+18K+18K+18K	12,000	12,000	12,000	12,000		12,000	12,000	12,000	12,000	
MUL48HP230V1R32AO	9K+9K+9K+9K+9K	9,000	9,000	9,000	9,000	9,000	9,000	9,000	9,000	9,000	9,000
MUL48HP230V1R32AO	9K+9K+9K+9K+12K	9,000	9,000	9,000	9,000	12,000	9,000	9,000	9,000	9,000	12,000
MUL48HP230V1R32AO	9K+9K+9K+9K+18K	8,000	8,000	8,000	8,000	16,000	8,000	8,000	8,000	8,000	16,000
MUL48HP230V1R32AO	9K+9K+9K+9K+24K	7,200	7,200	7,200	7,200	19,200	7,200	7,200	7,200	7,200	19,200
MUL48HP230V1R32AO	9K+9K+9K+12K+12K	8,472	8,472	8,472	11,291	11,291	8,472	8,472	8,472	11,291	11,291
MUL48HP230V1R32AO	9K+9K+9K+12K+18K	7,579	7,579	7,579	10,105	15,158	7,579	7,579	7,579	10,105	15,158
MUL48HP230V1R32AO	9K+9K+9K+12K+24K	6,857	6,857	6,857	9,143	18,286	6,857	6,857	6,857	9,143	18,286
MUL48HP230V1R32AO	9K+9K+9K+18K+18K	6,858	6,858	6,858	13,713	13,713	6,858	6,858	6,858	13,713	13,713
MUL48HP230V1R32AO	9K+9K+9K+18K+24K	6,260	6,260	6,260	12,522	16,698	6,260	6,260	6,260	12,522	16,698
MUL48HP230V1R32AO	9K+9K+12K+12K+12K	8,001	8,001	10,666	10,666	10,666	8,001	8,001	10,666	10,666	10,666
MUL48HP230V1R32AO	9K+9K+12K+12K+18K	7,200	7,200	9,600	9,600	14,400	7,200	7,200	9,600	9,600	14,400
MUL48HP230V1R32AO	9K+9K+12K+12K+24K	6,546	6,546	8,727	8,727	17,454	6,546	6,546	8,727	8,727	17,454
MUL48HP230V1R32AO	9K+9K+12K+18K+18K	6,545	6,545	8,728	13,091	13,091	6,545	6,545	8,728	13,091	13,091
MUL48HP230V1R32AO	9K+9K+12K+18K+24K	6,000	6,000	8,000	12,000	16,000	6,000	6,000	8,000	12,000	16,000
MUL48HP230V1R32AO	9K+12K+12K+12K+12K	7,580	10,105	10,105	10,105	10,105	7,580	10,105	10,105	10,105	10,105
MUL48HP230V1R32AO	9K+12K+12K+12K+18K	6,860	9,142	9,142	9,142	13,714	6,860	9,142	9,142	9,142	13,714
MUL48HP230V1R32AO	9K+12K+12K+12K+24K	6,255	8,349	8,349	8,349	16,698	6,255	8,349	8,349	8,349	16,698
MUL48HP230V1R32AO	9K+12K+12K+18K+18K	6,260	8,348	8,348	12,522	12,522	6,260	8,348	8,348	12,522	12,522
MUL48HP230V1R32AO	12K+12K+12K+12K+12K	9,600	9,600	9,600	9,600	9,600	9,600	9,600	9,600	9,600	9,600
MUL48HP230V1R32AO	12K+12K+12K+12K+18K	8,727	8,727	8,727	8,727	13,092	8,727	8,727	8,727	8,727	13,092
MUL48HP230V1R32AO	12K+12K+12K+12K+24K	8,000	8,000	8,000	8,000	16,000	8,000	8,000	8,000	8,000	16,000
MUL48HP230V1R32AO	12K+12K+12K+18K+18K	8,000	8,000	8,000	12,000	12,000	8,000	8,000	8,000	12,000	12,000

Outdoor Unit & Possible Indoor Unit Combinations with AHRI Certified Performance

*You may substitute the 9K unit with a 5K or 7K High Wall unit, find complete capacity information in the extended ratings chart.

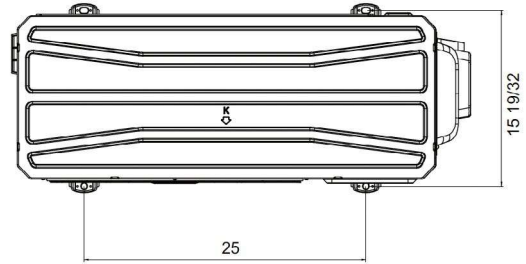
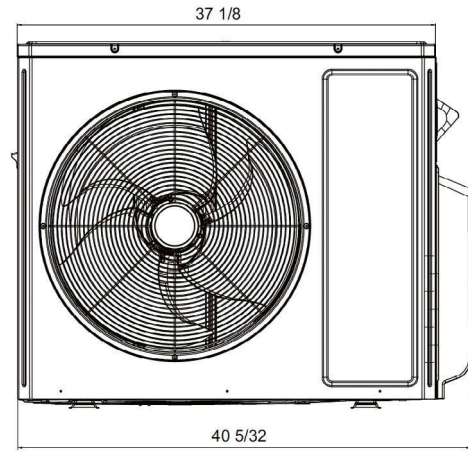
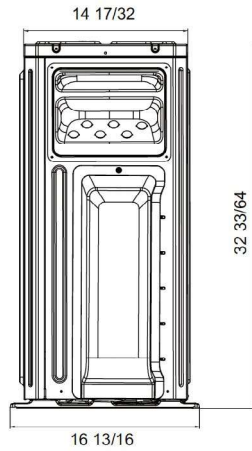
DIMENSIONS

OUTDOOR UNIT

Unit: inch

MUL48HP230V1R32AO

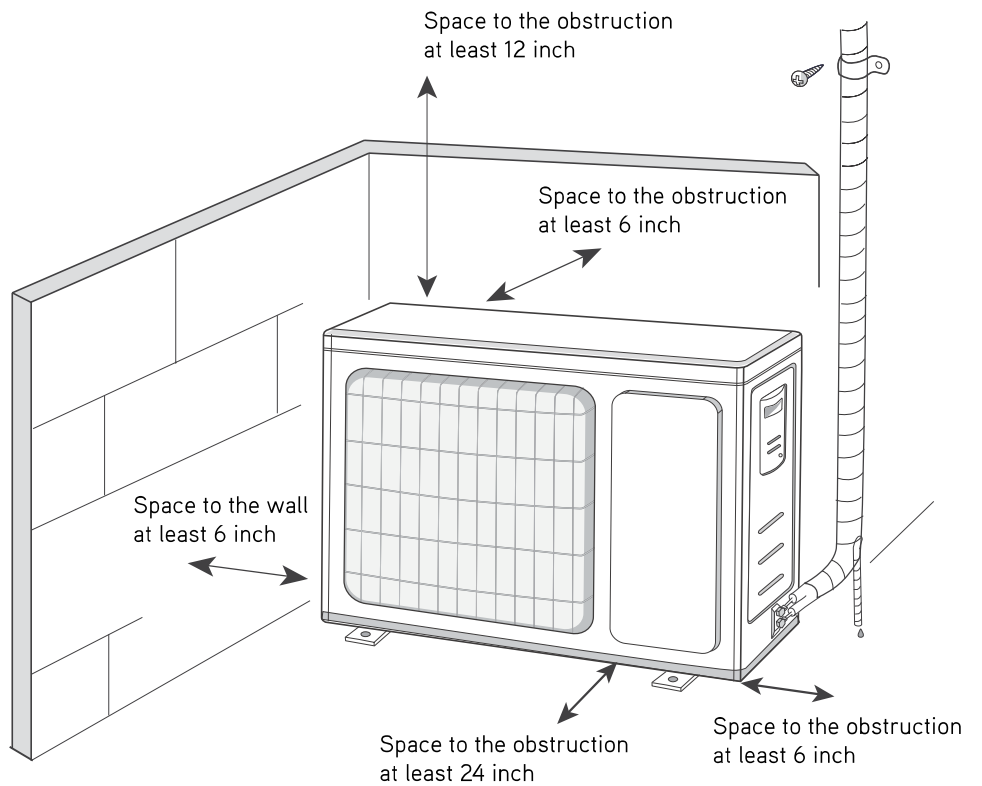
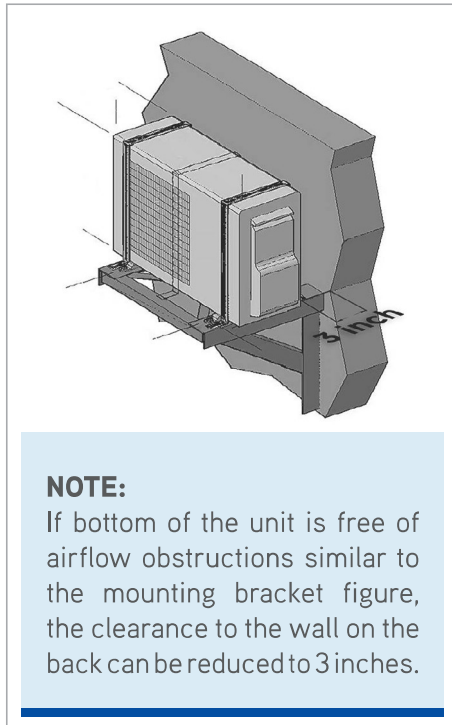
DIMENSIONS



CLEARANCES

OUTDOOR UNIT

Minimum clearance



Specifications are subject to change without notice. Manufacturer reserves the right to discontinue or modify specifications or designs without notice or without incurring obligations. All Rights reserved.

GRECOMFORT.COM/SYSTEM-DOCUMENTATION