

## SUBMITTAL DATA

MUL42HP230V1R32AO  
42000 BTU/H Multi-Zone Heat Pump System

Job Name	Location	Date
Purchaser	Engineer	
Submitted to	For	
Unit Designation	Schedule No.	



MUL42HP230V1R32AO

### GENERAL FEATURES

- AHRI Certificate: [215218917 \(Non-Ducted\)](#)
- [215218922 \(Ducted\)](#)
- [215218927 \(Mixed\)](#)
- High Efficiency DC Inverter Technology
- Compact and Quiet Design
- Auto Restart on Power Outages
- Multi-point Diagnostics
- Wi-Fi Included (Factory Installed)
- Low Ambient Cooling down to -22°F (Range -22°F to 118°F)
- Low Ambient Heating down to -22°F (Range -22°F to 75°F)
- Coil (Indoor and Outdoor) Copper Tube / Aluminum Fin
- Blue Colored Fin - 500 Hrs Salt Spray Tested

## MULTI-ZONE COMPATIBILITY CHART

### WALL MOUNT OPTIONS

	MULTI-ZONE					
	MUL18HP230V1R32AO	MUL24HP230V1R32AO	MUL30HP230V1R32AO	MUL36HP230V1R32AO	MUL42HP230V1R32AO	MUL48HP230V1R32AO
<b>LIVO</b>						
<b>System Model no.</b>						
LIV05HP230V1R32AH	•	•	•	•	•	•
LIV07HP230V1R32AH	•	•	•	•	•	•
LIV09HP230V1R32AH	•	•	•	•	•	•
LIV12HP230V1R32AH	•	•	•	•	•	•
LIV18HP230V1R32AH		•	•	•	•	•
LIV24HP230V1R32AH			•	•	•	•
LIV30HP230V1R32AH						
LIV36HP230V1R32AH						
<b>VIREO</b>						
<b>System Model no.</b>						
VIR09HP230V1R32AH	•	•	•	•	•	•
VIR12HP230V1R32AH	•	•	•	•	•	•
VIR18HP230V1R32AH		•	•	•	•	•
VIR24HP230V1R32AH			•	•	•	•
<b>ENVO</b>						
<b>System Model no.</b>						
ENV09HP230V1R32AH	•	•	•	•	•	•
ENV12HP230V1R32AH	•	•	•	•	•	•
ENV18HP230V1R32AH		•	•	•	•	•
ENV24HP230V1R32AH			•	•	•	•
<b>SAPPHIRE</b>						
<b>System Model no.</b>						
SAP09HP230V1R32AH	•	•	•	•	•	•
SAP12HP230V1R32AH	•	•	•	•	•	•
SAP18HP230V1R32AH		•	•	•	•	•
SAP24HP230V1R32AH			•	•	•	•

### ADDITIONAL INDOOR UNIT OPTIONS

	MULTI-ZONE					
	MUL18HP230V1R32AO	MUL24HP230V1R32AO	MUL30HP230V1R32AO	MUL36HP230V1R32AO	MUL42HP230V1R32AO	MUL48HP230V1R32AO
<b>ONE WAY CASSETTE</b>						
<b>System Model no.</b>						
OWC09HP230V1R32AH	•	•	•	•	•	•
OWC12HP230V1R32AH	•	•	•	•	•	•
OWC18HP230V1R32AH		•	•	•	•	•
OWC20HP230V1R32AH			•	•	•	•
<b>CEILING CASSETTE</b>						
<b>System Model no.</b>						
CAS09HP230V1R32AH	•	•	•	•	•	•
CAS12HP230V1R32AH	•	•	•	•	•	•
CAS18HP230V1R32AH		•	•	•	•	•
CAS24HP230V1R32AH			•	•	•	•
<b>SLIM DUCT</b>						
<b>System Model no.</b>						
DUC09HP230V1R32AH	•	•	•	•	•	•
DUC12HP230V1R32AH	•	•	•	•	•	•
DUC18HP230V1R32AH		•	•	•	•	•
DUC24HP230V1R32AH			•	•	•	•
<b>FLOOR/CEILING</b>						
<b>System Model no.</b>						
FLR09HP230V1R32AH	•	•	•	•	•	•
FLR12HP230V1R32AH	•	•	•	•	•	•
FLR18HP230V1R32AH		•	•	•	•	•
FLR24HP230V1R32AH			•	•	•	•
<b>MINI-CONSOLE</b>						
<b>System Model no.</b>						
CON09HP230V1R32AH	•	•	•	•	•	•
CON12HP230V1R32AH	•	•	•	•	•	•
CON18HP230V1R32AH		•	•	•	•	•

NOTE: R32 Indoor units are only compatible with R32 Outdoor units. Keep in mind, line set is always sized by the indoor unit valve diameter.

## SPECIFICATIONS, FEATURES & FUNCTION SUMMARY

SYSTEM TYPE		HEAT PUMP	
Outdoor Model		MUL42HP230V1R32AO	
Number of Zones		2 - 5	
SYSTEM PERFORMANCE (Non-Ducted Indoor Units)			
Cooling Capacity	Min - Max	Btu/h	8,870 - 44,300
	Rated Capacity @95°F	Btu/h	42,000
Heating Capacity	Min - Max	Btu/h	8,870 - 54,592
	Rated Capacity @47°F	Btu/h	42,000
	Rated Capacity @17°F	Btu/h	40,000
	Rated Capacity @5°F	Btu/h	37,800
SEER2		21	
EER2		13.0	
HSPF2		10.0	
COP @5°F		2.10	
SYSTEM PERFORMANCE (Ducted Indoor Units)			
Cooling Capacity	Min - Max	Btu/h	8,870 - 44,300
	Rated Capacity @95°F	Btu/h	42,000
Heating Capacity	Min - Max	Btu/h	8,870 - 54,592
	Rated Capacity @47°F	Btu/h	42,000
	Rated Capacity @17°F	Btu/h	40,000
	Rated Capacity @5°F	Btu/h	36,000
SEER2		18.0	
EER2		12.0	
HSPF2		8.1	
COP @5°F		1.90	
SYSTEM PERFORMANCE (Mixed Ducted and Non-Ducted Indoor Units)			
Cooling Capacity	Min - Max	Btu/h	8,870 - 44,300
	Rated Capacity @95°F	Btu/h	42,000
Heating Capacity	Min - Max	Btu/h	8,870 - 54,592
	Rated Capacity @47°F	Btu/h	42,000
	Rated Capacity @17°F	Btu/h	40,000
	Rated Capacity @5°F	Btu/h	37,000
SEER2		19.0	
EER2		12.2	
HSPF2		9.0	
COP @5°F		1.84	
OUTDOOR UNIT		MUL42HP230V1R32AO	
Cooling Temperature Range	°F	-22 - 118	
Heating Temperature Range	°F	-22 - 75	
Refrigerant Type		R32	
Compressor Type		GREE G-20 / Double Cylinder / 1 - STAGE INVERTER	
Sound Pressure Level	dB(A)	59	
External Dimensions (W x H x D)	in	40-10/64 x 32-33/64 x 16-52/64	
Package Dimension (W x H x D)	in	43-1/32 x 34-27/32 x 19-9/16	
Net Weight	lbs	174.2	
Gross Weight	lbs	189.6	
REFRIGERANT PIPING			
Refrigerant Charge - R32	oz	95.256	
Compressor Type		GREE G-20 / Double Cylinder / 1 - STAGE INVERTER	
Additional Charge	oz/ft	0.2	
Port Size (Liquid - Gas)	Port A (in)	1/4 - 3/8	
	Port B (in)	1/4 - 3/8	
	Port C (in)	1/4 - 3/8	
	Port D (in)	1/4 - 3/8	
	Port E (in)	1/4 - 3/8	
Pre-Charge Length	ft	164	
Pipe Length (Min - Max)	ft	10 - 328	
Pipe Length to furthest Indoor Unit	ft	82	
Max. Pipe Elevation	ft	82	
ELECTRICAL			
Power Supply		208-230V / 1Ph / 60Hz	
Voltage Range (Min - Max)	VAC	187 - 253	
Rated Current - Cooling	A	21.7	
Rated Current - Heating	A	22.6	
MOCP	A	35	
MCA	A	30	
Main Power Wire Size	AWG	Per Local Code	
Interconnecting Wire Size	AWG	14 / 4	
FEATURES & FUNCTIONS SUMMARY			
Inverter Type	G20		
Ultra Low Frequency Torque Control	Yes		
Compressor Type - Inverter	Yes		
Basepan With Electric Heater	High Efficiency Rotary		
Indoor & Outdoor Fin Coating (Blue Fin)	Yes		
Intelligent Defrosting	Yes		
Intelligent Preheating	Yes		
Low Voltage Startup	Yes		
Memory/Power Failure Recovery	Yes		
Self Diagnosis	Yes		

## ALLOWABLE COMBINATIONS CAPACITIES

MODEL NUMBER	POSSIBLE COMBINATIONS*	COOLING CAPACITY (Btu/h)					HEATING CAPACITY (Btu/h)				
		ZONE1	ZONE2	ZONE3	ZONE4	ZONE5	ZONE1	ZONE2	ZONE3	ZONE4	ZONE5
MUL42HP230V1R32AO	7K+7K+7K	7,000	7,000	7,000			8,000	8,000	8,000		
MUL42HP230V1R32AO	7K+7K+7K+7K	7,000	7,000	7,000	7,000		8,000	8,000	8,000	8,000	
MUL42HP230V1R32AO	5K+5K+5K+7K	5,000	5,000	5,000	7,000		6,000	6,000	6,000	8,000	
MUL42HP230V1R32AO	5K+5K+7K+7K	5,000	5,000	7,000	7,000		6,000	6,000	8,000	8,000	
MUL42HP230V1R32AO	5K+7K+7K+7K	5,000	7,000	7,000	7,000		6,000	8,000	8,000	8,000	
MUL42HP230V1R32AO	5K+5K+5K+5K+5K	5,000	5,000	5,000	5,000	5,000	6,000	6,000	6,000	6,000	6,000
MUL42HP230V1R32AO	7K+7K+7K+7K+7K	7,000	7,000	7,000	7,000	7,000	8,000	8,000	8,000	8,000	8,000
MUL42HP230V1R32AO	5K+5K+5K+5K+7K	5,000	5,000	5,000	5,000	7,000	6,000	6,000	6,000	6,000	8,000
MUL42HP230V1R32AO	5K+5K+5K+7K+7K	5,000	5,000	5,000	7,000	7,000	6,000	6,000	6,000	8,000	8,000
MUL42HP230V1R32AO	5K+5K+7K+7K+7K	5,000	5,000	7,000	7,000	7,000	6,000	6,000	8,000	8,000	8,000
MUL42HP230V1R32AO	5K+7K+7K+7K+7K	5,000	7,000	7,000	7,000	7,000	6,000	8,000	8,000	8,000	8,000
MUL42HP230V1R32AO	9K+12K	9,000	12,000				9,000	12,000			
MUL42HP230V1R32AO	9K+18K	9,000	18,000				9,000	18,000			
MUL42HP230V1R32AO	9K+24K	9,000	24,000				9,000	24,000			
MUL42HP230V1R32AO	12K+12K	12,000	12,000				12,000	12,000			
MUL42HP230V1R32AO	12K+18K	12,000	18,000				12,000	18,000			
MUL42HP230V1R32AO	12K+24K	12,000	24,000				12,000	24,000			
MUL42HP230V1R32AO	18K+18K	18,000	18,000				18,000	18,000			
MUL42HP230V1R32AO	18K+24K	18,000	24,000				18,000	24,000			
MUL42HP230V1R32AO	24K+24K	21,000	21,000				21,000	21,000			
MUL42HP230V1R32AO	9K+9K+9K	9,000	9,000	9,000			9,000	9,000	9,000		
MUL42HP230V1R32AO	9K+9K+12K	9,000	9,000	12,000			9,000	9,000	12,000		
MUL42HP230V1R32AO	9K+9K+18K	9,000	9,000	18,000			9,000	9,000	18,000		
MUL42HP230V1R32AO	9K+9K+24K	9,000	9,000	24,000			9,000	9,000	24,000		
MUL42HP230V1R32AO	9K+12K+12K	9,000	12,000	12,000			9,000	12,000	12,000		
MUL42HP230V1R32AO	9K+12K+18K	9,000	12,000	18,000			9,000	12,000	18,000		
MUL42HP230V1R32AO	9K+12K+24K	8,400	11,200	22,400			8,400	11,200	22,400		
MUL42HP230V1R32AO	9K+18K+18K	8,400	16,800	16,800			8,400	16,800	16,800		
MUL42HP230V1R32AO	9K+18K+24K	7,412	14,824	19,765			7,412	14,824	19,765		
MUL42HP230V1R32AO	9K+24K+24K	6,632	17,684	17,684			6,632	17,684	17,684		
MUL42HP230V1R32AO	12K+12K+12K	12,000	12,000	12,000			12,000	12,000	12,000		
MUL42HP230V1R32AO	12K+12K+18K	12,000	12,000	18,000			12,000	12,000	18,000		
MUL42HP230V1R32AO	12K+12K+24K	10,500	10,500	21,000			10,500	10,500	21,000		
MUL42HP230V1R32AO	12K+18K+18K	10,500	15,750	15,750			10,500	15,750	15,750		
MUL42HP230V1R32AO	12K+18K+24K	9,333	14,000	18,667			9,333	14,000	18,667		
MUL42HP230V1R32AO	12K+24K+24K	8,400	16,800	16,800			8,400	16,800	16,800		
MUL42HP230V1R32AO	18K+18K+18K	14,000	14,000	14,000			14,000	14,000	14,000		
MUL42HP230V1R32AO	18K+18K+24K	12,600	12,600	16,800			12,600	12,600	16,800		
MUL42HP230V1R32AO	9K+9K+9K+9K	9,000	9,000	9,000	9,000		9,000	9,000	9,000	9,000	
MUL42HP230V1R32AO	9K+9K+9K+12K	9,000	9,000	9,000	12,000		9,000	9,000	9,000	12,000	

MODEL NUMBER	POSSIBLE COMBINATIONS*	COOLING CAPACITY (Btu/h)					HEATING CAPACITY (Btu/h)				
		ZONE1	ZONE2	ZONE3	ZONE4	ZONE5	ZONE1	ZONE2	ZONE3	ZONE4	ZONE5
MUL42HP230V1R32AO	9K+9K+9K+18K	8,400	8,400	8,400	16,800		8,400	8,400	8,400	16,800	
MUL42HP230V1R32AO	9K+9K+9K+24K	7,412	7,412	7,412	19,765		7,412	7,412	7,412	19,765	
MUL42HP230V1R32AO	9K+9K+12K+12K	9,000	9,000	12,000	12,000		9,000	9,000	12,000	12,000	
MUL42HP230V1R32AO	9K+9K+12K+18K	7,875	7,875	10,500	15,750		7,875	7,875	10,500	15,750	
MUL42HP230V1R32AO	9K+9K+12K+24K	7,000	7,000	9,333	18,667		7,000	7,000	9,333	18,667	
MUL42HP230V1R32AO	9K+9K+18K+18K	7,000	7,000	14,000	14,000		7,000	7,000	14,000	14,000	
MUL42HP230V1R32AO	9K+9K+18K+24K	6,300	6,300	12,600	16,800		6,300	6,300	12,600	16,800	
MUL42HP230V1R32AO	9K+12K+12K+12K	8,400	11,200	11,200	11,200		8,400	11,200	11,200	11,200	
MUL42HP230V1R32AO	9K+12K+12K+18K	7,412	9,882	9,882	14,824		7,412	9,882	9,882	14,824	
MUL42HP230V1R32AO	9K+12K+12K+24K	6,632	8,842	8,842	17,684		6,632	8,842	8,842	17,684	
MUL42HP230V1R32AO	9K+12K+18K+18K	6,632	8,842	13,263	13,263		6,632	8,842	13,263	13,263	
MUL42HP230V1R32AO	9K+12K+18K+24K	6,000	8,000	12,000	16,000		6,000	8,000	12,000	16,000	
MUL42HP230V1R32AO	9K+18K+18K+18K	6,000	12,000	12,000	12,000		6,000	12,000	12,000	12,000	
MUL42HP230V1R32AO	12K+12K+12K+12K	10,500	10,500	10,500	10,500		10,500	10,500	10,500	10,500	
MUL42HP230V1R32AO	12K+12K+12K+18K	9,333	9,333	9,333	14,000		9,333	9,333	9,333	14,000	
MUL42HP230V1R32AO	12K+12K+12K+24K	8,400	8,400	8,400	16,800		8,400	8,400	8,400	16,800	
MUL42HP230V1R32AO	12K+12K+18K+18K	8,400	8,400	12,600	12,600		8,400	8,400	12,600	12,600	
MUL42HP230V1R32AO	9K+9K+9K+9K+9K	8,400	8,400	8,400	8,400	8,400	8,400	8,400	8,400	8,400	8,400
MUL42HP230V1R32AO	9K+9K+9K+9K+12K	7,875	7,875	7,875	7,875	10,500	7,875	7,875	7,875	7,875	10,500
MUL42HP230V1R32AO	9K+9K+9K+9K+18K	7,000	7,000	7,000	7,000	14,000	7,000	7,000	7,000	7,000	14,000
MUL42HP230V1R32AO	9K+9K+9K+9K+24K	6,300	6,300	6,300	6,300	16,800	6,300	6,300	6,300	6,300	16,800
MUL42HP230V1R32AO	9K+9K+9K+12K+12K	7,412	7,412	7,412	9,882	9,882	7,412	7,412	7,412	9,882	9,882
MUL42HP230V1R32AO	9K+9K+9K+12K+18K	6,632	6,632	6,632	8,842	13,263	6,632	6,632	6,632	8,842	13,263
MUL42HP230V1R32AO	9K+9K+9K+12K+24K	6,000	6,000	6,000	8,000	16,000	6,000	6,000	6,000	8,000	16,000
MUL42HP230V1R32AO	9K+9K+9K+18K+18K	6,000	6,000	6,000	12,000	12,000	6,000	6,000	6,000	12,000	12,000
MUL42HP230V1R32AO	9K+9K+12K+12K+12K	7,000	7,000	9,333	9,333	9,333	7,000	7,000	9,333	9,333	9,333
MUL42HP230V1R32AO	9K+9K+12K+12K+18K	6,300	6,300	8,400	8,400	12,600	6,300	6,300	8,400	8,400	12,600
MUL42HP230V1R32AO	9K+12K+12K+12K+12K	6,632	8,842	8,842	8,842	8,842	6,632	8,842	8,842	8,842	8,842
MUL42HP230V1R32AO	9K+12K+12K+12K+18K	6,000	8,000	8,000	8,000	12,000	6,000	8,000	8,000	8,000	12,000
MUL42HP230V1R32AO	12K+12K+12K+12K+12K	8,400	8,400	8,400	8,400	8,400	8,400	8,400	8,400	8,400	8,400

Outdoor Unit & Possible Indoor Unit Combinations with AHRI Certified Performance

\*You may substitute the 9K unit with a 5K or 7K High Wall unit, find complete capacity information in the extended ratings chart.

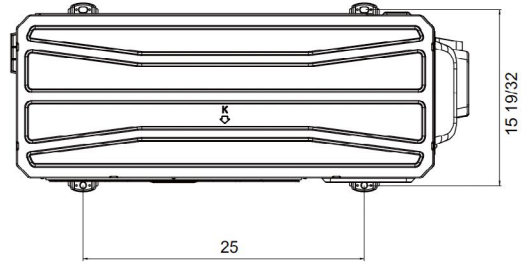
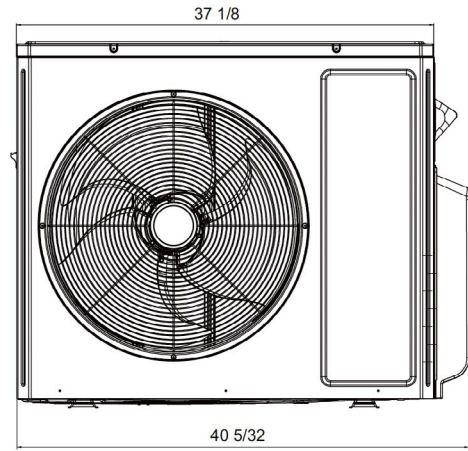
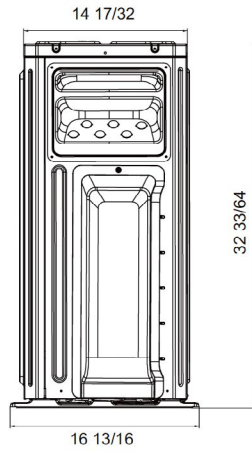
## DIMENSIONS

### OUTDOOR UNIT

Unit: inch

MUL42HP230V1R32AO

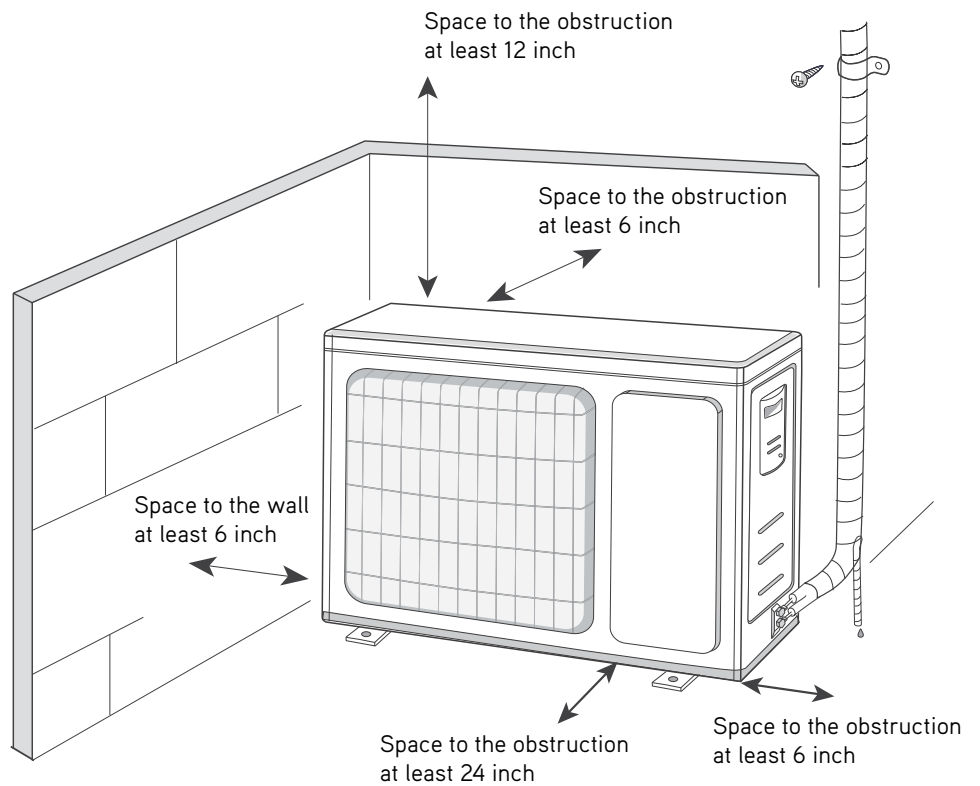
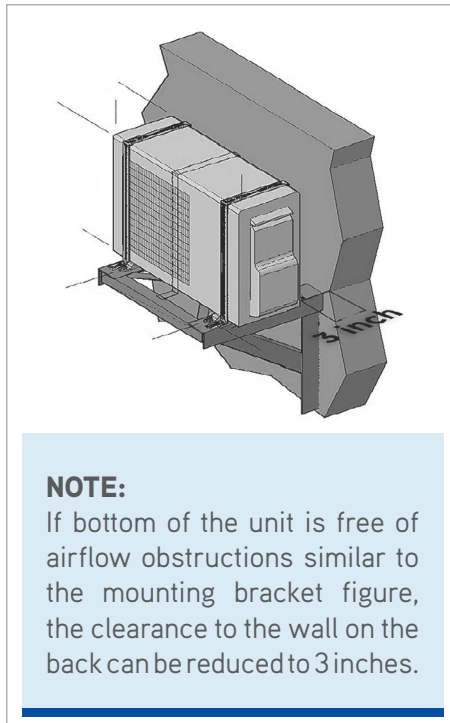
DIMENSIONS



## CLEARANCES

### OUTDOOR UNIT

Minimum clearance



Specifications are subject to change without notice. Manufacturer reserves the right to discontinue or modify specifications or designs without notice or without incurring obligations. All Rights reserved.

[GRECOMFORT.COM/SYSTEM-DOCUMENTATION](http://GRECOMFORT.COM/SYSTEM-DOCUMENTATION)