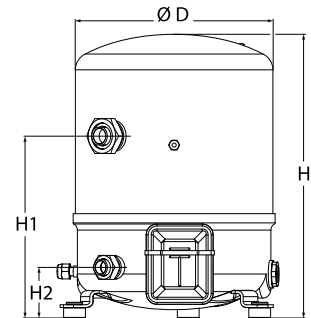


General Characteristics

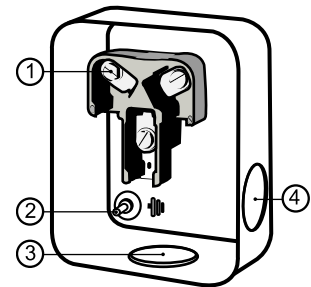
Model number (on compressor nameplate)		MTZ80HP3BVE
Code number for Singlepack*		MTZ80-3VI
Code number for Industrial pack**		MTZ80-3VM
Drawing number		8502011e
Suction and discharge connections		Rotolock
Suction connection		1-3/4 " Rotolock
Discharge connection		1-1/4 " Rotolock
Suction connection with supplied sleeve		1-1/8 " ODF
Discharge connection with supplied sleeve		3/4 " ODF
Oil sight glass		Threaded
Oil equalization connection		3/8" flare SAE
Oil drain connection		None
LP gauge port		Schrader
IPR valve		435 psi / 115 psi
Cylinders		2
Swept volume		8.29 in3/rev
Displacement @ Nominal speed		1007 cfm @ 3500 rpm
Net weight		88 lbs
Oil charge		61 oz, POE - 160PZ
Maximum system test pressure Low Side / High side		363 psi / 435 psi
Maximum differential test pressure		435 psi
Maximum number of starts per hour		12
Refrigerant charge limit		11 lbs
Approved refrigerants		R404A, R507A, R134a, R407C

Dimensions



D=11.3 inch, H=16.3 inch,
H1=10.4 inch, H2=2.9 inch

Terminal box



IP54 (with cable gland)

- 1: Screw connectors 10-32 UNF x 9.5
- 2: Earth M4-12
- 3: Knock-out Ø 29 mm (1.14")
- 4: Knock-out Ø 25.5 mm (1.00")

Electrical Characteristics

Nominal voltage	200-230V/3/60Hz
Voltage range	180-253 V
Winding resistance (between phases) +/- 7% at 77°F	0.49 Ω
Maximum Continuous Current (MCC)	36 A
Locked Rotor Amps (LRA)	140 A
Motor protection	Internal overload protector

Recommended Installation torques

Oil sight glass	37 ft.lbs
Power connections / Earth connection	2 ft.lbs / 1 ft.lbs
Mounting bolts	11 ft.lbs

Parts shipped with compressor

Mounting kit with grommets, bolts, nuts, sleeves and washers
Suction & Discharge solder sleeves, rotolock nuts and gaskets (shipped with rotolock version only)
Initial oil charge
Installation instructions

Approvals : CE certified, UL certified (file SA6873), -

*Singlepack: Compressor in cardboard box

**Industrial pack: 6 Unboxed compressors on pallet (order per multiples of 6)

Rotolock accessories, suction side

Code no.

Solder sleeve, P02 (1-3/4" Rotolock, 1-1/8" ODF)	8153004
Angle adapter, C02 (1-3/4" Rotolock, 1-1/8" ODF)	8168005
Rotolock valve, V02 (1-3/4" Rotolock, 1-1/8" ODF)	8168028
Gasket, 1-3/4"	8156132

Rotolock accessories, discharge side

Code no.

Solder sleeve, P04 (1-1/4" Rotolock, 3/4" ODF)	8153008
Angle adapter, C04 (1-1/4" Rotolock, 3/4" ODF)	8168006
Rotolock valve, V04 (1-1/4" Rotolock, 3/4" ODF)	8168029
Gasket, 1-1/4"	8156131

Rotolock accessories, sets

Code no.

Angle adapter set, C02 (1-3/4"~1-1/8"), C04 (1-1/4"~3/4")	7703014
Valve set, V02 (1-3/4"~1-1/8"), V04 (1-1/4"~3/4")	7703009
Gasket set, 1", 1-1/4", 1-3/4", OSG gaskets black & white	8156009

Oil / lubricants

Code no.

POE lubricant, 160PZ, 1 liter can	7754019
POE lubricant, 160PZ, 2 liter can	7754020

Crankcase heaters

Code no.

PTC heater 27W	120Z0459
Belt type crankcase heater, 65 W, 110 V, CE mark, UL	7773109
Belt type crankcase heater, 65 W, 230 V, CE mark, UL	7773107

Miscellaneous accessories

Code no.

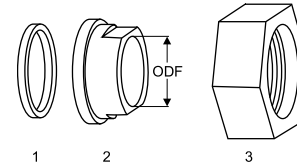
Acoustic hood for 2 cylinder compressor	7755002
Oil equalisation nut	8153127

Spare parts

Code no.

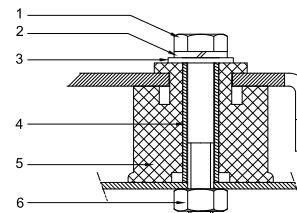
Mounting kit for 1 and 2 cylinder compressor, including 3 grommets, 3 bolts	8156001
Oil sight glass with gaskets (black & white)	8156019
Gasket for oil sight glass (black chloroprene)	8156145
Service kit for terminal box 96 x 115 mm, including 1 cover, 1 clamp, 1 T block connector 52 x 57 mm, 1 cable gland	8156135
T block connector 2.1" x 2.3"	8173230

Gaskets, sleeves and nuts



- 1: Gasket
- 2: Solder sleeve
- 3: Rotolock nut

Mounting kit



- 1: Bolt (3x)
- 2: Lock washer (3x)
- 3: Flat washer (3x)
- 4: Sleeve (3x)
- 5: Grommet (3x)
- 6: Nut (3x)

Danfoss can accept no responsibility for possible errors in catalogues, brochures and other printed material. Danfoss reserves the right to alter its products without notice. This also applies to products already on order provided that such alternations can be made without subsequential changes being necessary in specifications already agreed. All trademarks in this material are property of the respective companies. Danfoss, the Danfoss logotype and Maneurop are trademarks of Danfoss A/S. All rights reserved.