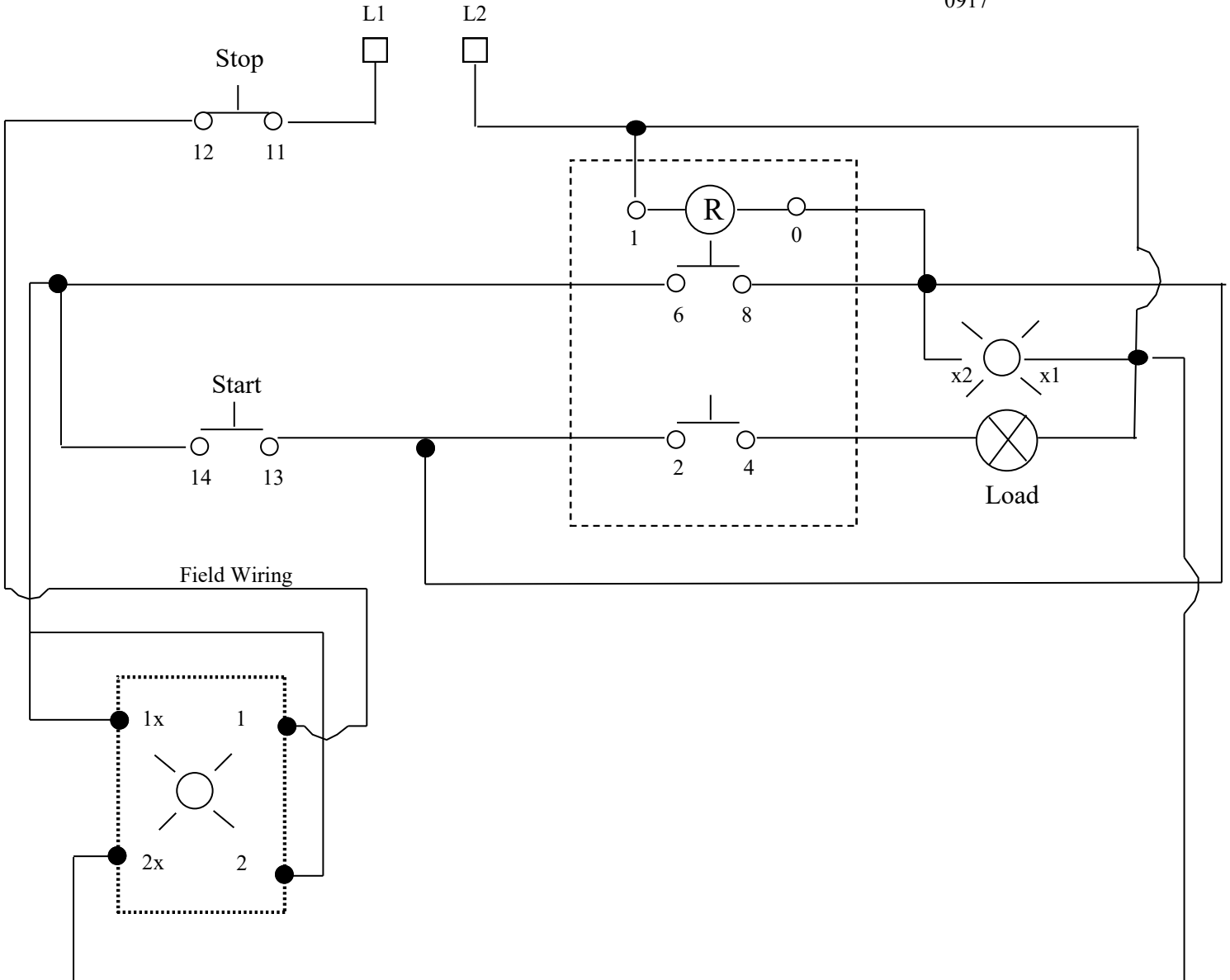


MESO WIRING SCHEMATIC

0917



MESO Auxiliary

Note: If you use a 110-Volt MESO, you must use a 110-Volt Auxiliary