

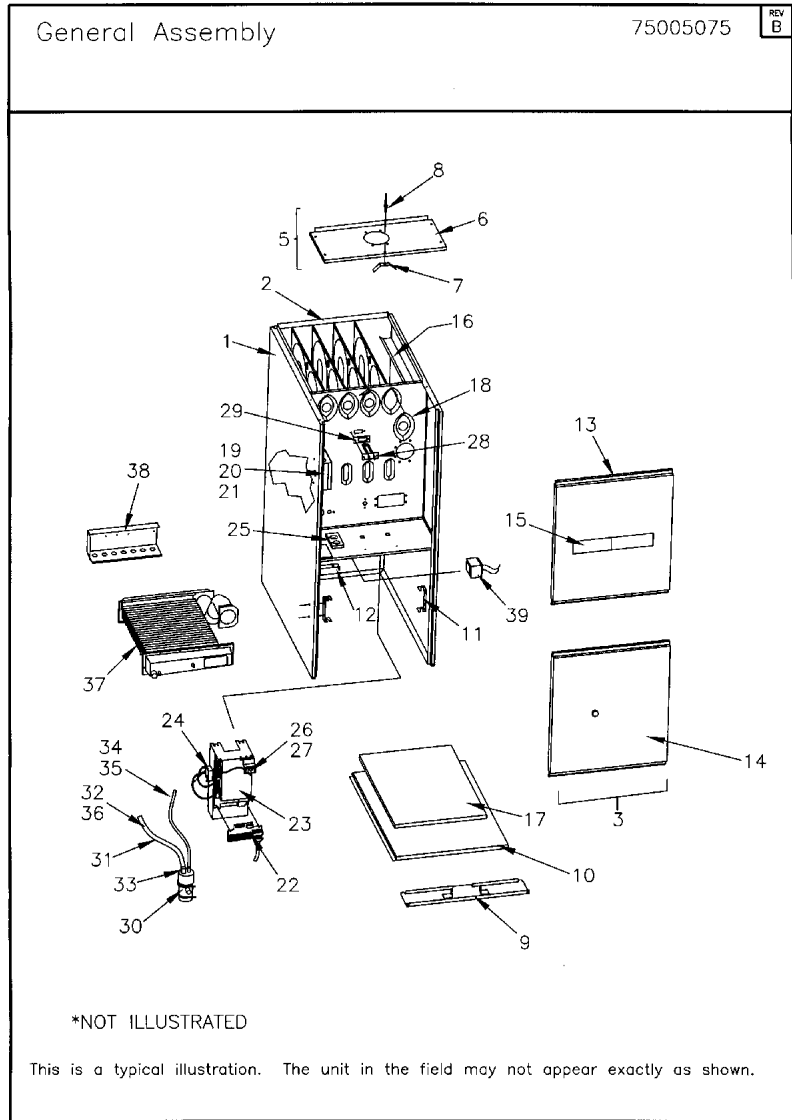
Part No.	Reference No.	Quantity	Description
952#M952UP1~S	*		ACCESSORIES
75000983#M952UP1~S	*		BLOWER ASSEMBLY
75000984#M952UP1~S	*		BURNER ASSEMBLY
75005075#M952UP1~S	*		GENERAL ASSEMBLY
75000982#M952UP1~S	*		INDUCED BLOWER AND FLUE ASSEMBLY
M952UP1_M952UP1_123648~P	*		M952UP1 PARTS LIST
75010509#M952UP1~S	*		MODEL NUMBER DESCRIPTION

NO GRAPHIC AVAILABLE

75013702

REV
A

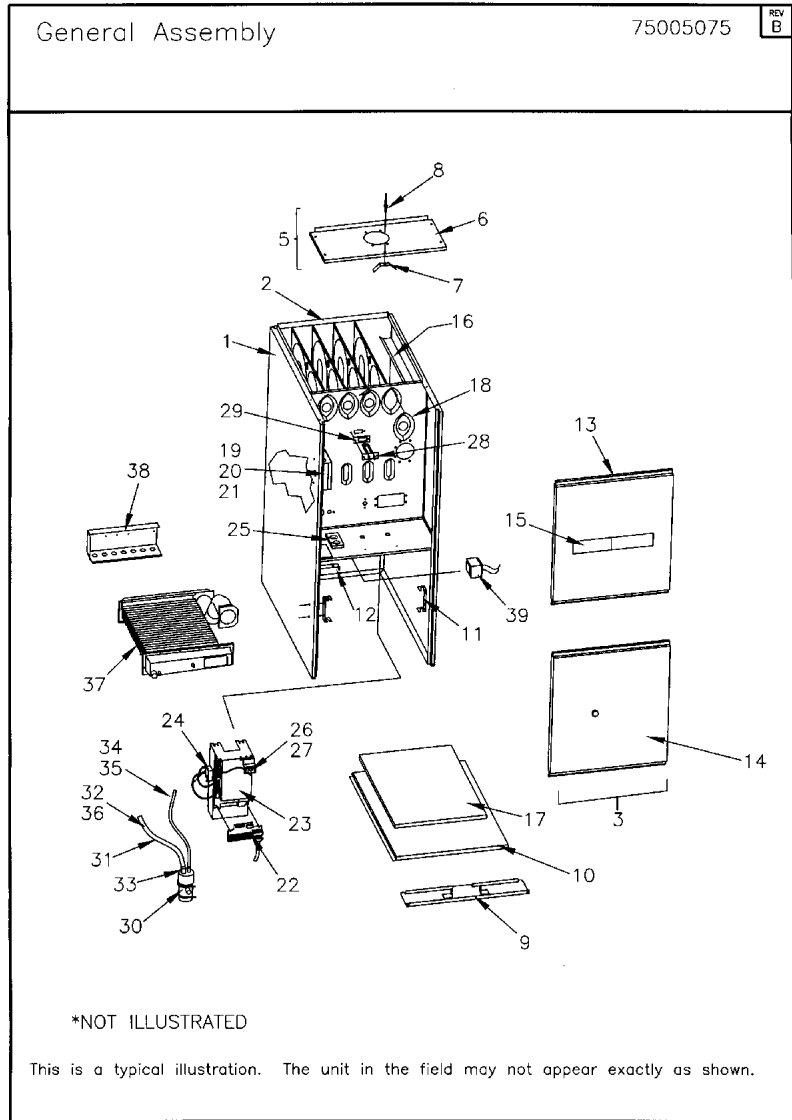
**NO
GRAPHIC
AVAILABLE**



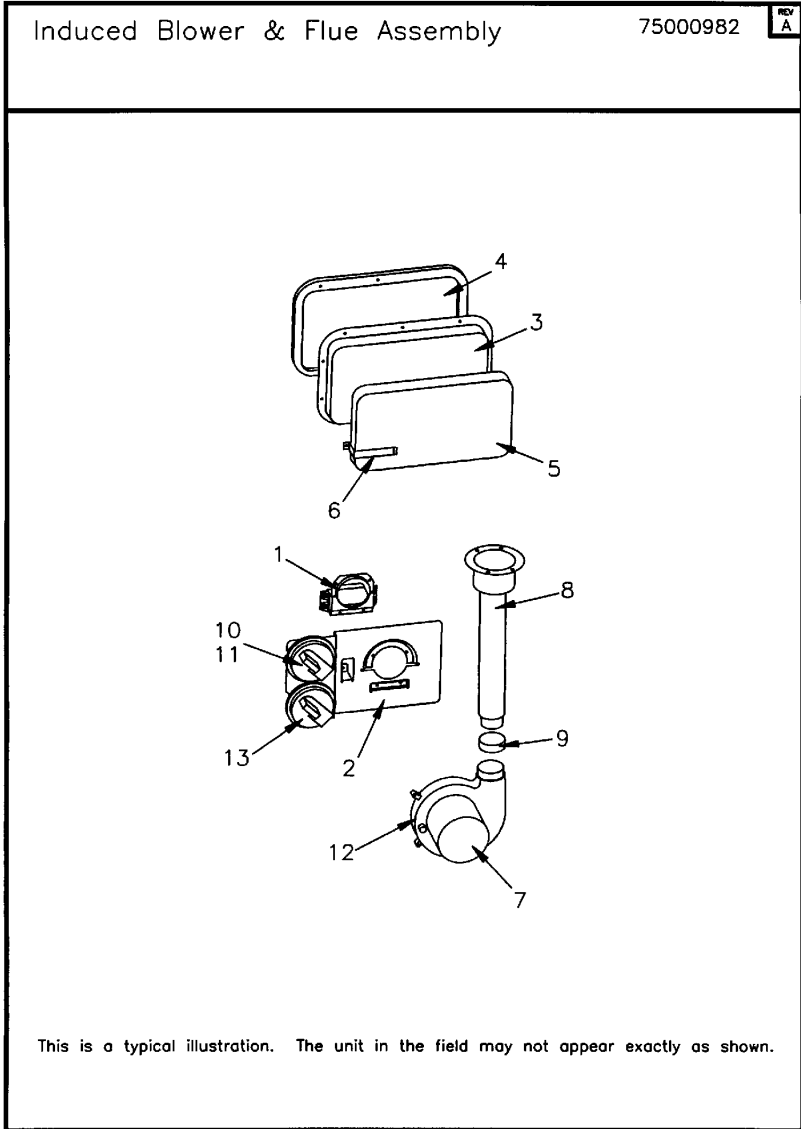
Parts List Number :M952UP1#M952UP1

Model Number :M952V100CU48AAA

Part No.	Reference No.	Quantity	Description
75005075_M952UP1_278533~P	*		GENERAL ASSEMBLY PARTS LIST



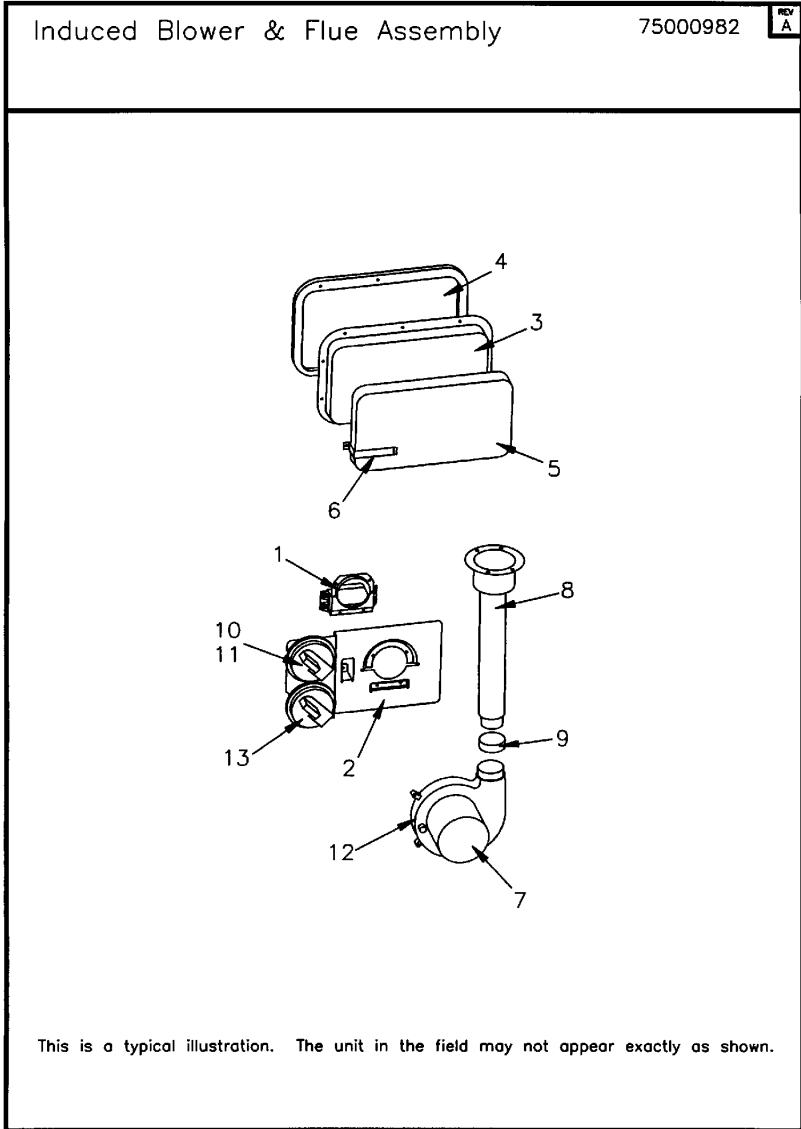
Part No.	Reference No.	Quantity	Description
CLP00885	*	1	CLIP; ACCESS PANEL
CON00371	*	2	CONNECTOR; 5 PIN MALE
CPL00938	*	1	COUPLING; REDUCING COUPLING ASSEMBLY - INCLUDES C341097P01 (CPL00838) AND A341677P01 (POLYPROPYLENE PAD). 2.00 TO 3.0 WHITE PVC COUPLING ADAPTER.
FLR03829	*	1	FILTER; REPLACEMENT FILTER RACK ASSEMBLY
MNT02206	*	1	MOUNT; IFC CONTROL PLATFORM
PLU00538	*	2	PLUG; POLARIZED, 16 PIN
SUP04534	*	2	SUPPORT; SUPPORT, GALV. SHEET STEEL
TUB08058	*	1	TUBE-FEMALE TRANSFER
TUB12136	*	1	TUBE; DIRECT VENT HOSE ASSEMBLY. DIRECT VENT BOX TO GAS VALVE. ASSEMBLY INCLUDES: BLACK RUBBER TUBING AND BARBED TYPE ADAPTER, TEE00195.
TUB12310	*	1	TUBE;MALE TRANSFER
WIR04108	*	1	WIRE; HARNESS, 16-PIN, V.S. MOTOR
WIR05406	*	1	WIRE; 5 PIN VARIABLE SPEED MOTOR HARNESS
EXC02045	2	1	EXCHANGER; HEAT EXCHANGER W / 3 COIL ASSEMBLY
DOR04218	3	1	DOOR; ASSEMBLY, 20.13 W X 19.96 H, INCLUDES CLP00885
COV02145	5	1	COVER;TOP PANEL ASSEMBLY,COMPLETE WITH SPG0309 AND RIV0071
COV03372	6	1	COVER; TOP, UNPAINTED, GALVANIZED
SPG00309	7	1	SPRING; DOOR RETAINER,INCLUDED IN COVER ASSEMBLY
RIV00071	8	1	RIVET; POP, QTY 100 PER BOX COMPLETE COVER ASSEMBLY WILL INCLUDE THIS
CNL01930	9	1	CHANNEL; BOTTOM
PNN03251	10	1	PANEL;BOTTOM
CLP00365	11	1	CLIP; FILTER
RTR00133	12	1	RETAINER, FILTER
DOR01195	13	1	DOOR; FURNACE, CUMBERLAND
DOR04096	14	1	DOOR; BURNER, UPFLOW
BAF00854	16	1	BAFFLE; HEAT EXCHANGER
BAF01024	16	1	BAFFLE; BLOWER
FLR01487	17	1	FILTER; 25 X 20 X 1IN. PERMANENT
IRT00020	18	5	INSERT; BURNER
BOX01499	19	1	BOX; JUNCTION BOX
COV03320	20	1	COVER; JUNCTION BOX COVER
BUS00300	21	1	BUSHING; STRAIN RELIEF
CNT06585	23	1	CONTROL; INTEGRATED FURNACE CONTROL, 2-STAGE, VARIABLE (IFC)
TRR01816	24	1	TRANSFORMER;
GRM00855	25	1	GROMMET; 1.75 WIDE X .18 THICK, MOLDED CHLOROPRENE, 80 DUROMETER
BRK01989	26	1	BRACKET; DOOR SWITCH
SWT01714	27	1	SWITCH; DOOR SPST, 21 AMP, 125/250VAC
SWT01635	28	1	SWITCH; THERMAL LIMIT OPEN 180F, CLOSE 150F
GKT03506	29	1	GASKET; LIMIT SWITCH
TRP00007	30	1	TRAP; CANNISTER
TUB11752	31	1	TUBE; CONDENSATE TUBE ASSEMBLY, COLD HEADER TO CANISTER TRAP. INCLUDES HOSE AND CLAMP.
TUB11759	32	1	TUBE; CONDENSATE TUBE ASSY, TRAP TO FURNACE CABINET (FIELD CONNECTION). INCLUDES HOSE, CLAMP, BARBED ADAPTER, COUPLING, SMALL HOSE W/ BARBED CONNECTOR
TUB11750	34	1	TUBE; CONDENSATE TUBE ASSEMBLY, INDUCER TO CANISTER TRAP. INCLUDES HOSE AND CLAMP.
COL09685	37	1	COIL; RECOUP ASSY
SUP02792	38	1	SUPPORT; HEAT EXCHANGER
TRR01827	39	1	TRANSFORMER; CHOKE-LINE



Parts List Number :M952UP1#M952UP1

Model Number :M952V100CU48AAA

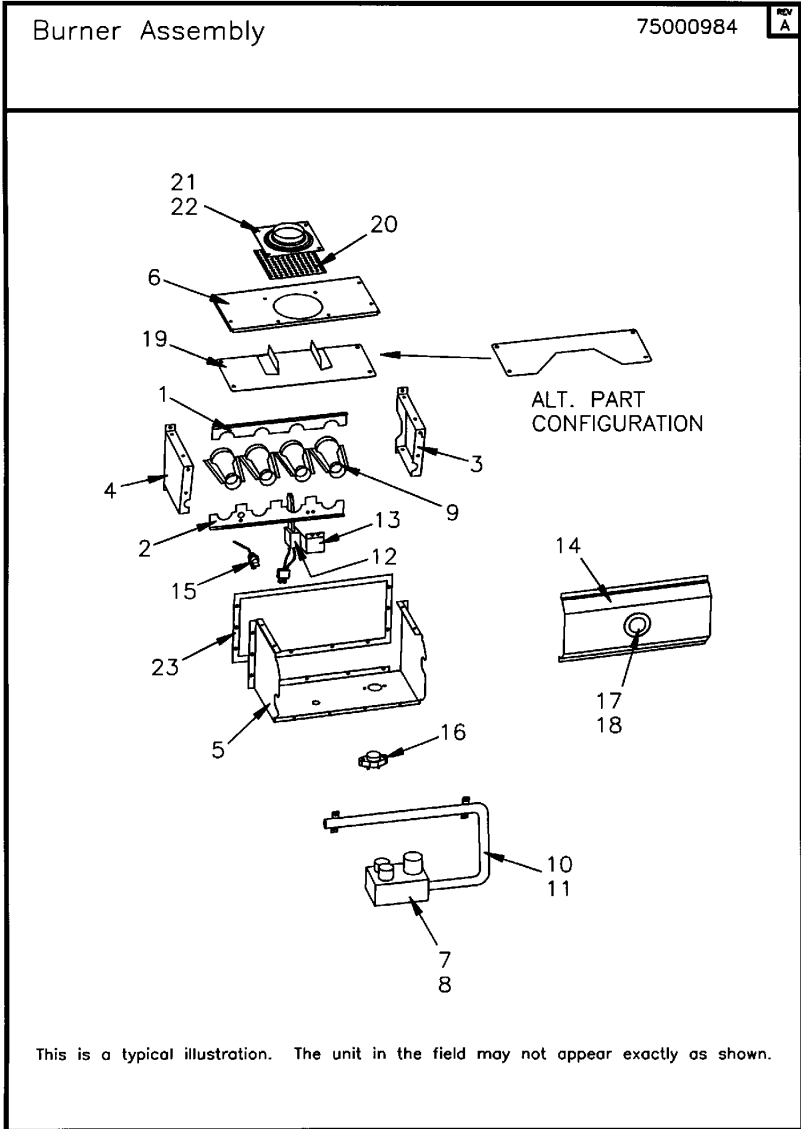
Part No.	Reference No.	Quantity	Description
75000982_M952UP1_278529~P	*		INDUCED BLOWER AND FLUE ASSEMBLY PARTS LIST



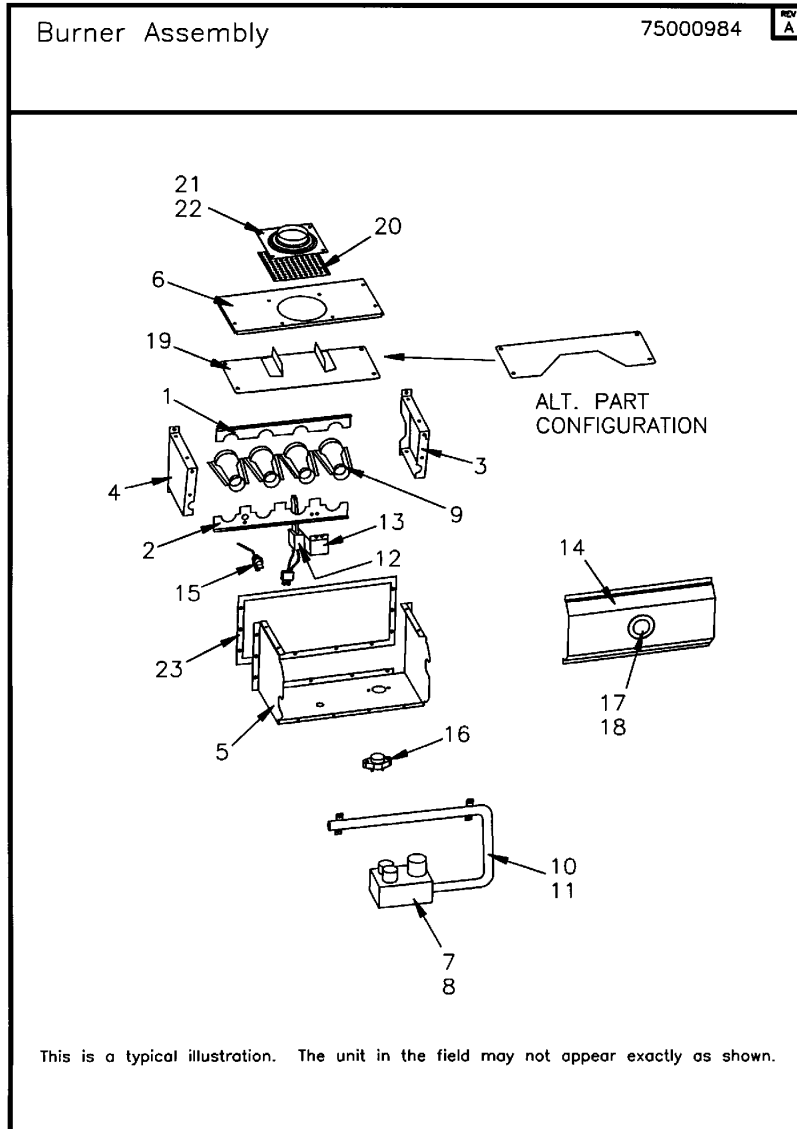
Parts List Number :M952UP1#M952UP1

Model Number :M952V100CU48AAA

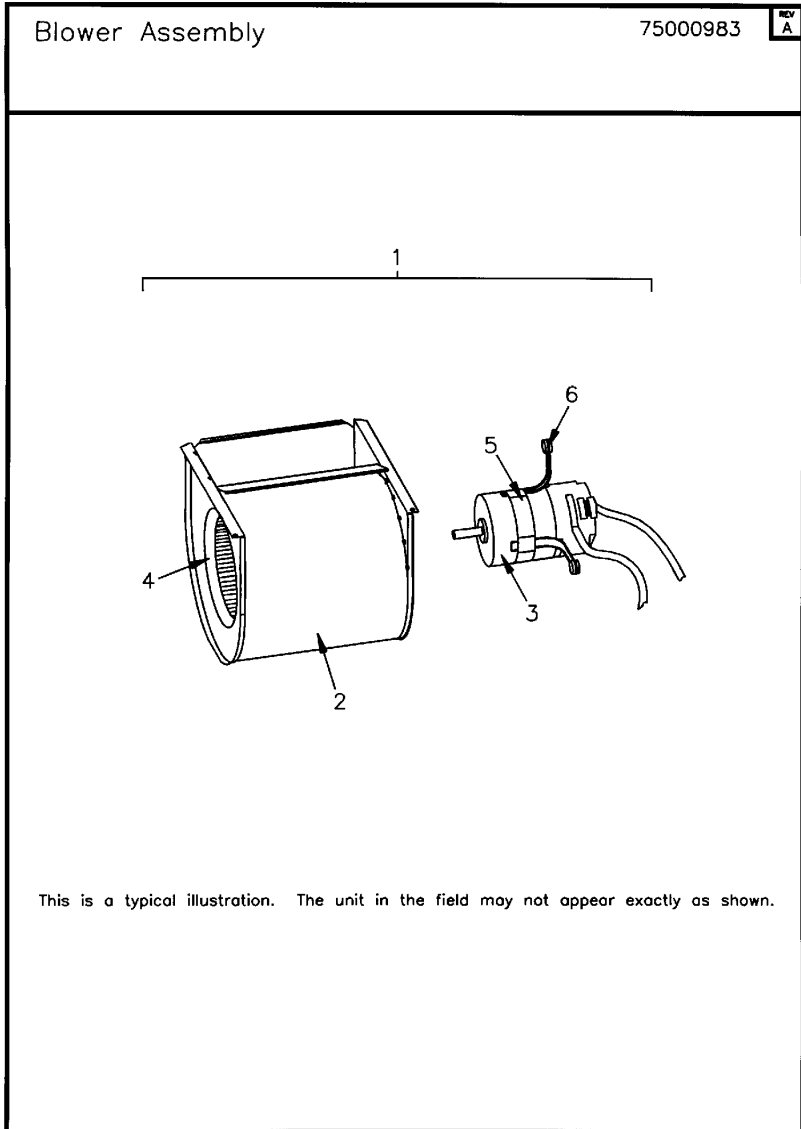
Part No.	Reference No.	Quantity	Description
CON00336	*	1	CONNECTOR; (BARB TUBE)
INS02381	*	1	INSULATION; SWITCH
SWT02685	*	1	SWITCH; LIMIT INDUCER, OPEN 155 DEG, CLOSE 95 DEG F
RCT00851	1	1	RECEPTACLE; TRANSITION INCLUDING FOUR MOUNTING SCREWS
MNT02266	2	1	MOUNT; INDUCER MOTOR MOUNTING PLATE, GALVANIZED STEEL
BOX00580	3	1	BOX; FLUE COLLECTOR
GKT02605	4	1	GASKET;COLLECTOR BOX
INS01973	5	1	INSULATION; COLLECTOR BOX
BLW00879	7	1	BLOWER; INDUCER, 3-PHASE
PIP00364	8	1	PIPE; FLUE, MOLDED
CMP01147	9	1	CLAMP; CONDENSATE FLUE STACK PIPE TO INDUCED BLOWER, 2.75 OD
SWT02979	10	1	SWITCH; DUAL PRESSURE, 28 VA PILOT DUTY 24 VAC, 125 VA PILOT DUTY 120 VAC. , 1/10 HP, 3 FLA, 18 LRA 24 VAC. HIGH SIDE OPEN AT 1.93 WC, CLOSE AT 2.28 WC. LOW SIDE OPEN AT 0.97 WC, CLOSE AT 1.19 WC
CAP00453	12	1	CAP; VINYL



Part No.	Reference No.	Quantity	Description
75000984_M952UP1_278532~P	*		BURNER ASSEMBLY PARTS LIST



Part No.	Reference No.	Quantity	Description
COV03151	*	1	COVER; FRONT ASSEMBLY REPLACEMENT COVER W/SIGHT GLASS
BRK01962	1	1	BRACKET; TOP
BRK01529	2	1	BRACKET; BURNER
SUP02126	3	1	SUPPORT; BURNER-LEFT HAND
SUP02127	4	1	SUPPORT; BURNER-RIGHT HAND
BOX01404	5	1	BOX; DIRECT VENT
COV02525	6	1	COVER; TOP, DIRECT VENT
VAL09031	7	1	VALVE; GAS, DIRECT VENT 2 STAGE, 1/2-14 NPT, 24V, 50/60 HZ, "J" SERIES
PIP00343	8	1	PIPE; COMPOUND
BNR01074	9	5	BURNER; ALUMINUM STL, .50 INSERT DIA, TOG-L-LOC
ORF01427	10	5	ORIFICE; SPUD, DRILL #45, BRASS
MFD00737	11	1	MANIFOLD; GAS
IGN00152	12	1	MIN=12/12 IGNITER; SILICON-NITRIDE, 120V, INCLUDES BRACKET AND SCREWS
BRK03336	13	1	BRACKET; SiNi IGNITOR BRACKET
COV03011	14	1	COVER; FRONT, D.V.
SEN01114	15	1	SENSOR; FLAME, NIKROTHAL 80 MATERIAL
SWT02124	16	1	SWITCH; SWITCH-FLAME ROLLOUT, 82 DEGREES C, 180 DEGREES F, NON-TRIP FREE, 5.8 FLA, 34.8 LRA AT 120 VAC, 24 VAC, MANUAL RESET, FIXED TEMPERATURE THERMOSTAT AND NON-ADJUSTABLE.
GLS00820	18	1	GLASS; SIGHT
PLT02777	19	1	PLATE; DEFLECTOR
GKT03082	21	1	GASKET; INLET, 4.0 X 4.0 NONWOVEN FIBERGLASS
ADP01053	22	1	ADAPTER; FLUE CONNECTOR WITH PERFORATED AIR DIFFUSER, 3 INCH DIAMETER, PLASTIC
GKT03086	23	1	GASKET; VENT BOX

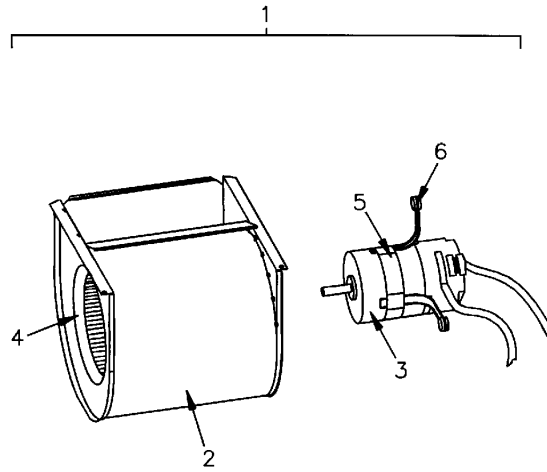


Part No.	Reference No.	Quantity	Description
75000983_M952UP1_278531~P	*		BLOWER ASSEMBLY PARTS LIST

Blower Assembly

75000983

REV
A



This is a typical illustration. The unit in the field may not appear exactly as shown.

Part No.	Reference No.	Quantity	Description
BLW01134	1	1	BLOWER; REPLACEMENT BLOWER ASM
HUS03092	2	1	HOUSING; BLOWER
MOD02258	3	1	MODULE; EON, ELECTRONIC MOTOR CONTROL, VARIABLE SPEED PROGRAMMED
MOT15108	3	1	MOTOR; ECM VS MOTOR MODULE SET; 3/4 HP, DUAL VOLT; PROGRAMMED
WHL01034	4	1	WHEEL; BLOWER, 10.62 DIA X 10.75 WIDTH, CONVEX .50 BORE CW
BND00026	5	1	BAND; MOTOR MOUNT
BRK03779	6	4	BRACKET; MOTOR ARM, 4.8 X 3.0

MODEL NUMBER DESCRIPTION
AMERISTAR FURNACES

75010509

REV
A

M 9 5 2 V 0 6 0 B U 3 6 A A A
1 2 3 4 5 6 7 8 9 10 11 12 13 14 15

Digit 1 - Brand
M = Ameristar

Digit 2,3 - Model Family
95 = Condensing

Digit 4 - Heating Stages
2 = Two Stage

Digit 5 - Blower Type
V = Variable Speed

Digit 6,7,8 - BTU Input
060 = 60,000 BTU
080 = 80,000 BTU
100 = 100,000 BTU
120 = 120,000 BTU

Digit 9 - Cabinet Width
A = 14.5"
B = 17.5"
C = 21.0"
D = 24.5"

Digit 10 - Orientation
D = Downflow
U = Upflow

Digit 11,12 - Airflow
36 = 36,000
48 = 48,000
60 = 60,000

Digit 13 - Major Design Change
A = Service Digit

Digit 14 - Minor Design Change
A = Minor Design Change

Digit 15 - Service Digit Change
A = Service Digit

Part No.	Reference No.	Quantity	Description
75010509_M952UP1_123660~P	*		MODEL NUMBER DESCRIPTION PARTS LIST

MODEL NUMBER DESCRIPTION
AMERISTAR FURNACES

75010509

REV
A

M 9 5 2 V 0 6 0 B U 3 6 A A A
1 2 3 4 5 6 7 8 9 10 11 12 13 14 15

Digit 1 - Brand
M = Ameristar

Digit 2,3 - Model Family
95 = Condensing

Digit 4 - Heating Stages
2 = Two Stage

Digit 5 - Blower Type
V = Variable Speed

Digit 6,7,8 - BTU Input
060 = 60,000 BTU
080 = 80,000 BTU
100 = 100,000 BTU
120 = 120,000 BTU

Digit 9 - Cabinet Width
A = 14.5"
B = 17.5"
C = 21.0"
D = 24.5"

Digit 10 - Orientation
D = Downflow
U = Upflow

Digit 11,12 - Airflow
36 = 36,000
48 = 48,000
60 = 60,000

Digit 13 - Major Design Change
A = Service Digit

Digit 14 - Minor Design Change
A = Minor Design Change

Digit 15 - Service Digit Change
A = Service Digit

Parts List Number :M952UP1#M952UP1

Model Number :M952V100CU48AAA

Part No.	Reference No.	Quantity	Description
952_M952UP1_278534~P	*		ACCESSORIES PARTS LIST

NO GRAPHIC AVAILABLE

75013702

REV
A

**NO
GRAPHIC
AVAILABLE**

Part No.	Reference No.	Quantity	Description
BAS00828	*	1	BASE; SUB ASSEMBLY (BAYBASE205)
FLR01587	*	1	FILTER; FRAMED FILTER KIT ASSY (BAYFLTR321) FOR REPLACEMENT FILTER ONLY USE FLR1487
FLR01604	*	1	FILTER; FRAMED FILTER KIT ASSY (BAYFLTR204)
FLR05570	*	1	FILTER; FRAME ASSEMBLY (BAYFLTR200)
KIT06444	*	1	KIT; SIDE WALL VENT ASSEMBLY (BAYVENT200B)
KIT07475	*	1	KIT; KIT, FILTER RACK (BAYRACK960A)
KIT07613	*	1	KIT; PROPANE CONVERSION (INCLUDES 'G' VALVE INSTRUCTIONS, BAYLPKT210B)
KIT09199	*	1	KIT; LP KIT W/STAINLESS STEEL BURNERS ('G' VALVE INSTRUCTIONS INCLUDED) (BAYLPSS210B)
KIT13745	*	1	KIT; HIGH ALTITUDE PRESSURE SWITCH CONVERSION KIT (BAYSWT08AHALTA)
VNT00133	*	1	VENT; CONCENTRIC VENT KIT, (BAYAIR30AVENTAA)