

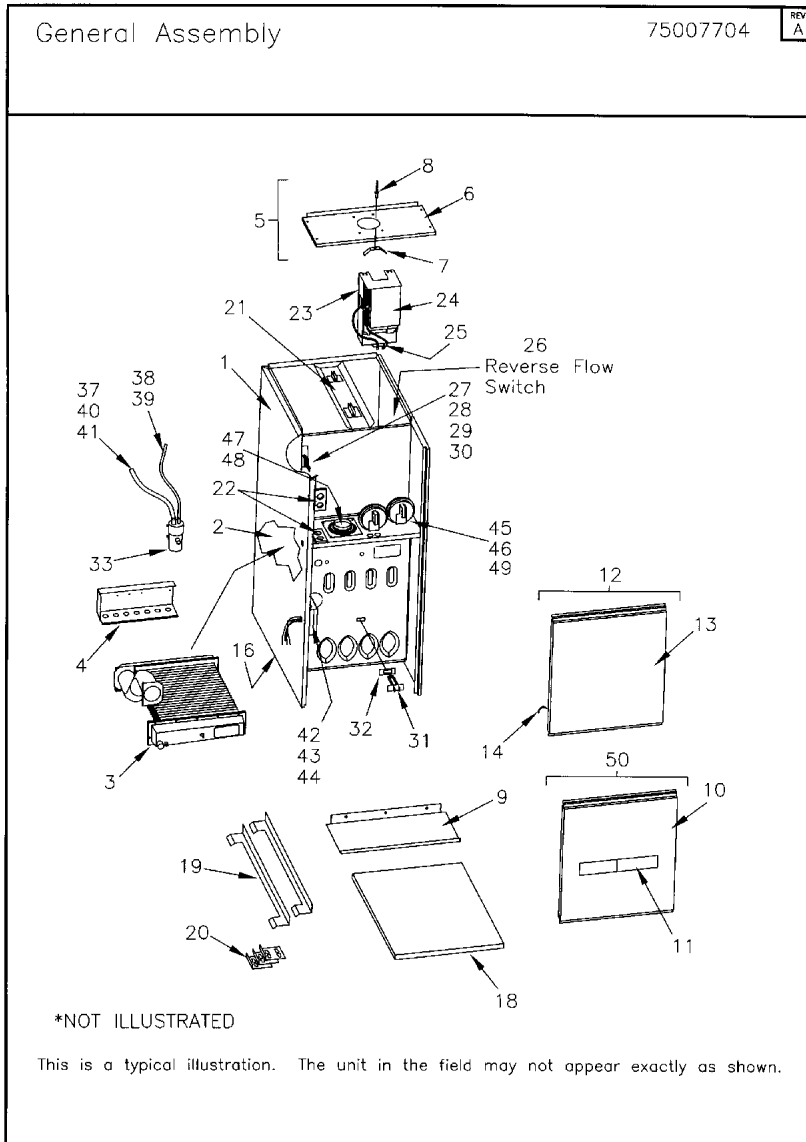
Part No.	Reference No.	Quantity	Description
952#M952UP1~S	*		ACCESSORIES
75000815#M952UP1~S	*		BLOWER ASSEMBLY
75000977#M952UP1~S	*		BURNER ASSEMBLY
75007704#M952UP1~S	*		GENERAL ASSEMBLY
75000978#M952UP1~S	*		INDUCED BLOWER AND FLUE ASSEMBLY
M952UP1_M952UP1_123648~P	*		M952UP1 PARTS LIST
75010509#M952UP1~S	*		MODEL NUMBER DESCRIPTION

NO GRAPHIC AVAILABLE

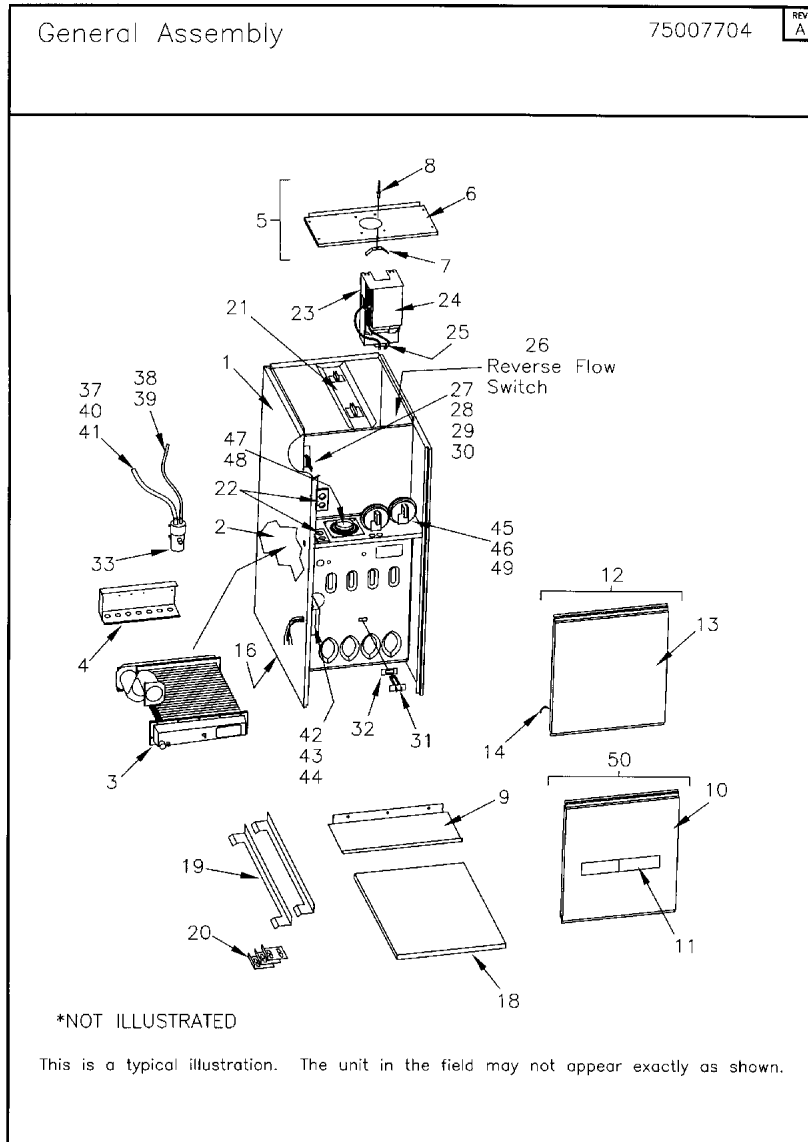
75013702

REV
A

**NO
GRAPHIC
AVAILABLE**

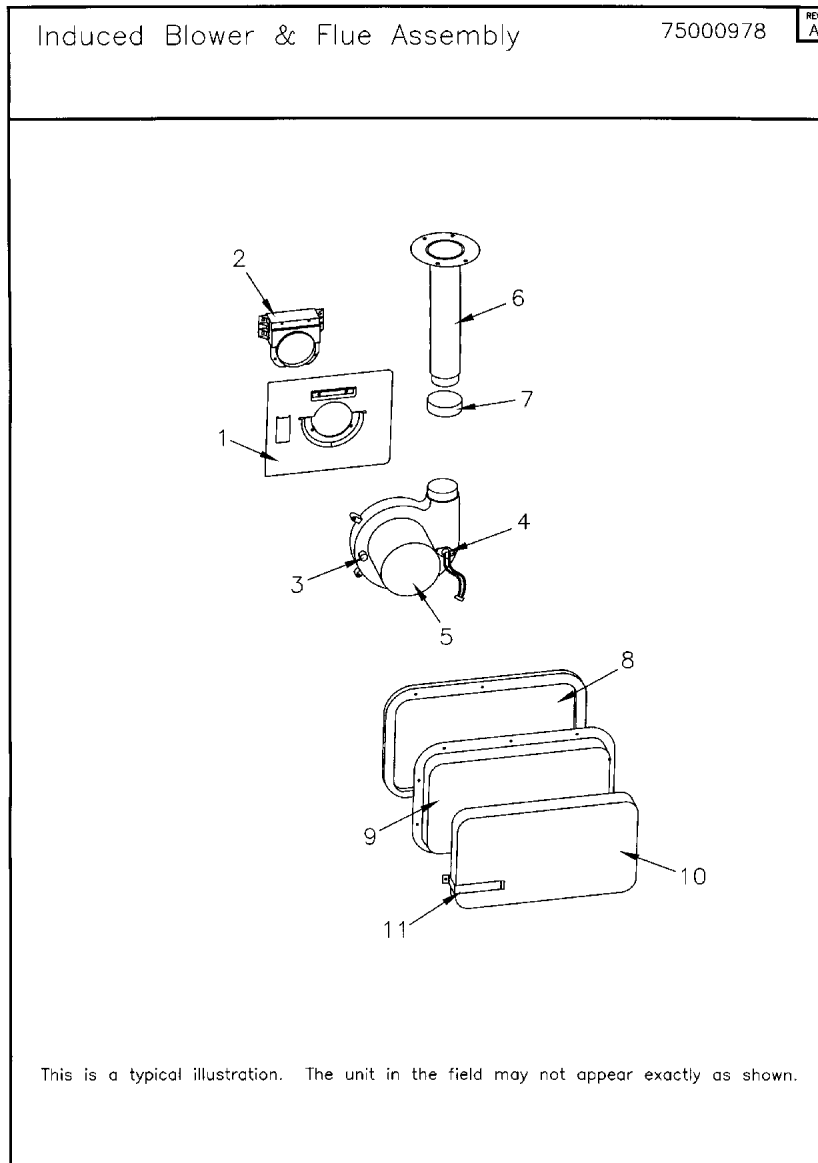


Part No.	Reference No.	Quantity	Description
75007704_M952UP1_233721~P	*		GENERAL ASSEMBLY PARTS LIST



Part No.	Reference No.	Quantity	Description
ADP01053	*	1	ADAPTER; FLUE CONNECTOR WITH PERFORATED AIR DIFFUSER, 3 INCH DIAMETER, PLASTIC
BRK02173	*	1	BRACKET; INNER BLOWER DOOR DISCONNECT SWITCH
CON00371	*	2	CONNECTOR; 5 PIN MALE
CPL00938	*	1	COUPLING; REDUCING COUPLING ASSEMBLY - INCLUDES C341097P01 (CPL00838) AND A341677P01 (POLYPROPYLENE PAD). 2.00 TO 3.0 WHITE PVC COUPLING ADAPTER.
IRT00020	*	4	INSERT; BURNER
PLU00538	*	2	PLUG; POLARIZED, 16 PIN
SUP04534	*	2	SUPPORT; SUPPORT, GALV. SHEET STEEL
SWT01714	*	1	SWITCH; DOOR SPST, 21 AMP, 125/250VAC
TUB08057	*	1	TUBE; MALE TRANSFER NOT FIELD REPLACEABLE, PART OF RECOUP CELL
TUB08186	*	1	TUBE; FEMALE TRANSFER NOT FIELD REPLACEABLE, PART OF RECOUP COIL CELL
TUB12137	*	1	TUBE; DIRECT VENT HOSE ASSEMBLY. DIRECT VENT BOX TO GAS VALVE. ASSEMBLY INCLUDES: BLACK RUBBER TUBING AND BARBED TYPE ADAPTER, TEE00195.
WIR01916	*	1	WIRE;HARNESS,VARIABLE SPEED POWER
WIR04108	*	1	WIRE; HARNESS, 16-PIN, V.S. MOTOR
EXC02039	2	1	EXCHANGER; HEAT EXCHANGER WITH RCT00851 & 3 COIL ASSEMBLY
COL09285	3	1	COIL; RECOUP ASSEMBLY
SUP02609	4	1	SUPPORT; HEAT EXCHANGER
COV04441	5	1	COVER; TOP PANEL ASM
COV03384	6	1	COVER; TOP, UNPAINTED, GALVANIZED
SPG00309	7	1	SPRING; DOOR RETAINER,INCLUDED IN COVER ASSEMBLY
RIV00071	8	1	RIVET; POP, QTY 100 PER BOX COMPLETE COVER ASSEMBLY WILL INCLUDE THIS
DOR01190	10	1	DOOR; FURNACE, UNPAINTED, 16.63 W X 19.96 H
DOR04217	12	1	DOOR; ASSEMBLY, 16.63 W X 19.96 H, INCLUDES CLP00884
DOR04069	13	2	DOOR; FURNACE/BLOWER
CLP00884	14	1	CLIP; ACCESS PANEL
BAF00855	16	2	BAFFLE; HEAT EXCHANGER
BAF00856	16	2	BAFFLE;
FLR01185	18	2	FILTER; AIR, 19 5/8 X 13 5/8 X 1, ALUMINUM FRAME
ANG00625	19	2	ANGLE, FILTER RETAINER 15 X .31 GALVANIZED
BRK01574	20	3	BRACKET;CONNECTION,COIL ATTACHMENT,FOR AIR HANDLER CONNECT.
SUP02162	21	1	SUPPORT, FILTER
GRM00836	22	1	GROMMET; WIRE, 2.55 LENGTH X 1.69 WIDTH X .32 THICK
MNT02206	23	1	MOUNT; IFC CONTROL PLATFORM
CNT06585	24	1	CONTROL; INTEGRATED FURNACE CONTROL, 2-STAGE, VARIABLE (IFC)
TRR01816	25	1	TRANSFORMER;
BRK02826	26	1	BRACKET; BLOWER DOOR SWITCH
SWT00770	26	1	SWITCH;REVERSE FLOW, OPEN @ 115 DEGREES F, CLOSE @ 105 DEGREES
SUP04110	27	2	SUPPORT; INNER DOOR
DOR01238	28	1	DOOR; INNER BLOWER
GRM00217	29	1	GROMMET; BURNER BOX ENTRY SEAL
GRM00837	29	1	GROMMET; ENTRY SEAL
SWT01635	31	1	SWITCH; THERMAL LIMIT OPEN 180F, CLOSE 150F
GKT03506	32	1	GASKET; LIMIT SWITCH
TRP00007	33	1	TRAP; CANNISTER
TUB11757	37	1	TUBE; CONDENSATE TUBE ASSEMBLY, COLD HEADER TO CANISTER TRAP. ASSEMBLY INCLUDES HOSE AND CLAMP.
TUB11754	38	1	TUBE; CONDENSATE TUBE ASSEMBLY, INDUCER TO CANISTER TRAP. INCLUDES HOSE AND CLAMP.
BOX01499	42	1	BOX; JUNCTION BOX
COV03320	43	1	COVER; JUNCTION BOX COVER

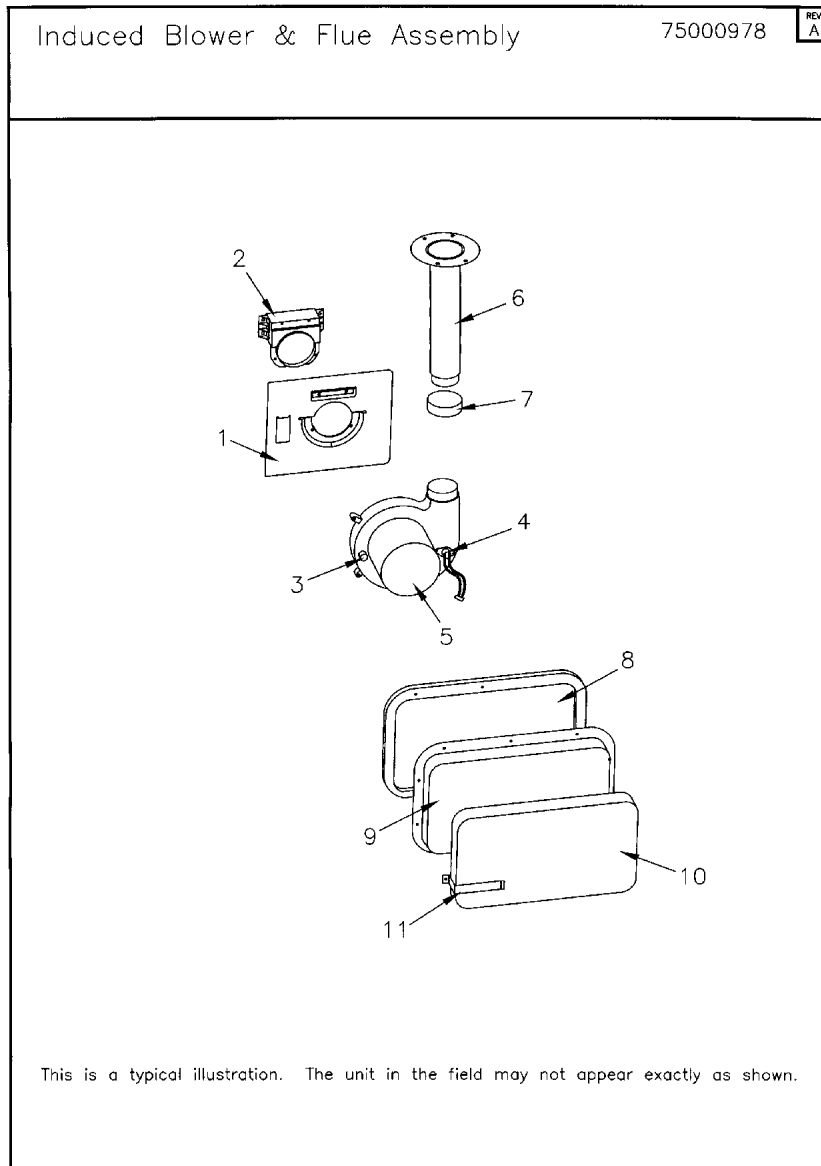
Part No.	Reference No.	Quantity	Description
BUS00300	44	1	BUSHING; STRAIN RELIEF
SWT02979	45	1	SWITCH; DUAL PRESSURE, 28 VA PILOT DUTY 24 VAC, 125 VA PILOT DUTY 120 VAC. , 1/10 HP, 3 FLA, 18 LRA 24 VAC. HIGH SIDE OPEN AT 1.93 WC, CLOSE AT 2.28 WC. LOW SIDE OPEN AT 0.97 WC, CLOSE AT 1.19 WC
PLT02217	46	1	PLATE; DEFLECTOR
GKT03082	47	2	GASKET; INLET, 4.0 X 4.0 NONWOVEN FIBERGLASS
ADP00446	48	2	ADAPTER; INLET, 3" DIA



Parts List Number :M952UP1#M952UP1

Model Number :M952V080BD36ABA

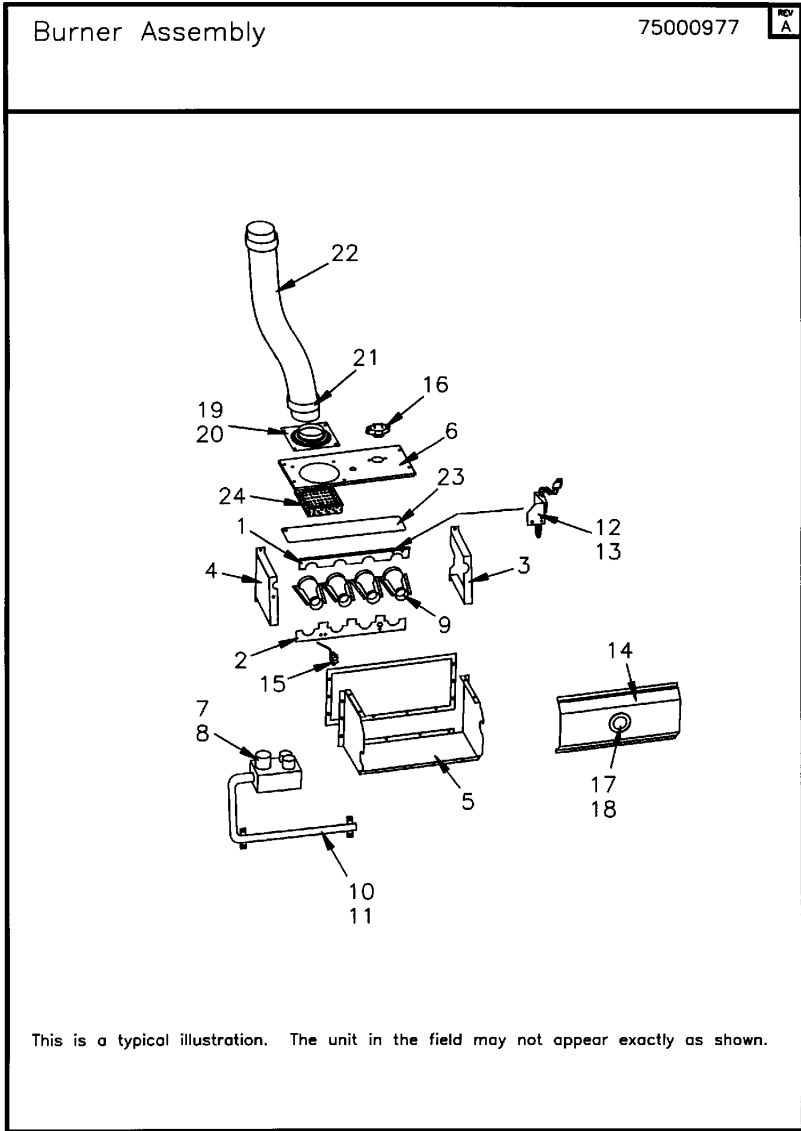
Part No.	Reference No.	Quantity	Description
75000978_M952UP1_233720~P	*		INDUCED BLOWER AND FLUE ASSEMBLY PARTS LIST



Parts List Number :M952UP1#M952UP1

Model Number :M952V080BD36ABA

Part No.	Reference No.	Quantity	Description
CON00336	*	1	CONNECTOR; (BARB TUBE)
MNT02266	1	1	MOUNT; INDUCER MOTOR MOUNTING PLATE, GALVANIZED STEEL
RCT00851	2	1	RECEPTACLE; TRANSITION INCLUDING FOUR MOUNTING SCREWS
CAP00453	3	1	CAP; VINYL
INS02381	4	1	INSULATION; SWITCH
SWT02686	4	1	SWITCH; LIMIT INDUCER, OPEN 155, CLOSE 125 DEG F
BLW00879	5	1	BLOWER; INDUCER, 3-PHASE
PIP00365	6	1	PIPE; FLUE, MOLDED
CMP01147	7	1	CLAMP; CONDENSATE FLUE STACK PIPE TO INDUCED BLOWER, 2.75 OD
GKT02604	8	1	GASKET;COLLECTOR BOX
BOX00579	9	1	BOX; FLUE COLLECTOR
INS01972	10	1	INSULATION; COLLECTOR BOX

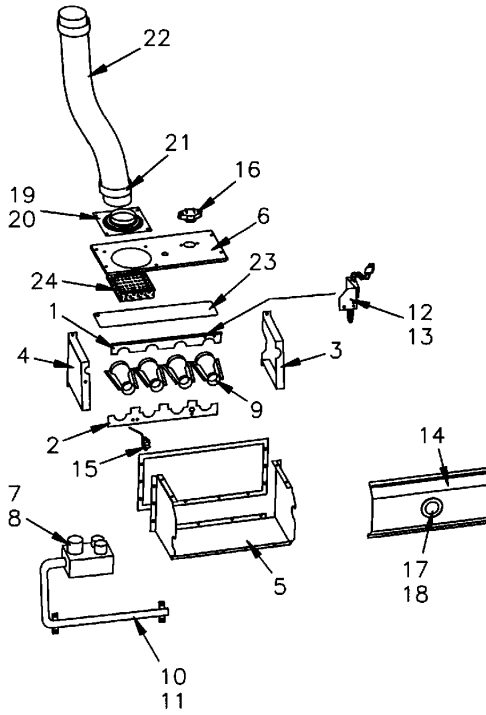


Part No.	Reference No.	Quantity	Description
75000977_M952UP1_233718~P	*		BURNER ASSEMBLY PARTS LIST

Burner Assembly

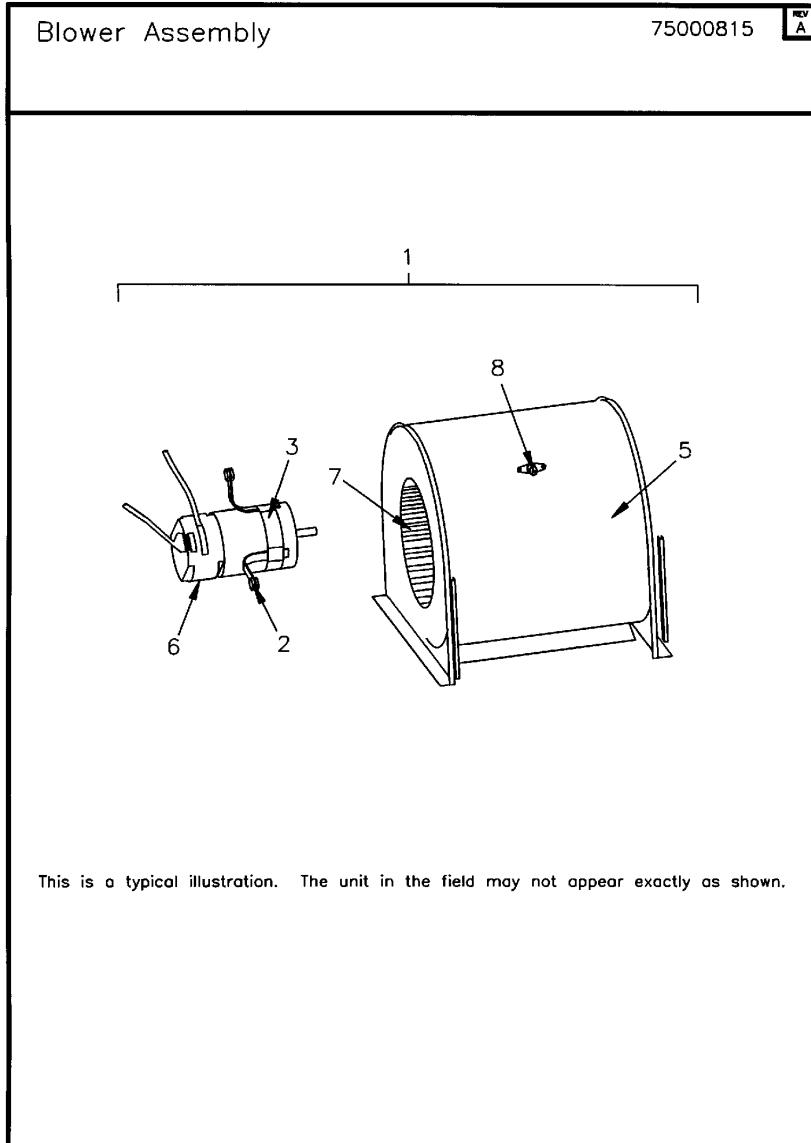
75000977

REV
A

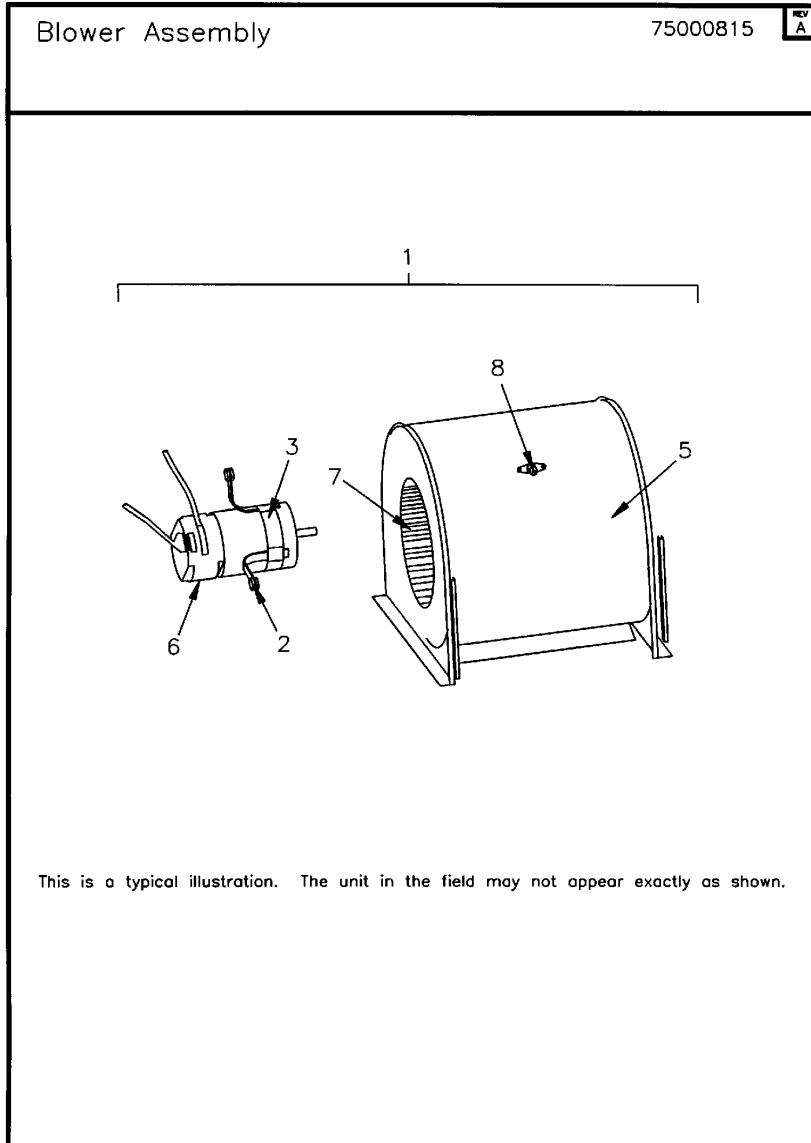


This is a typical illustration. The unit in the field may not appear exactly as shown.

Part No.	Reference No.	Quantity	Description
COV03151	*	1	COVER; FRONT ASSEMBLY REPLACEMENT COVER W/SIGHT GLASS
BRK01961	1	1	BRACKET; TOP
BRK01528	2	1	BRACKET; BURNER
SUP02126	3	1	SUPPORT; BURNER-LEFT HAND
SUP02127	4	1	SUPPORT; BURNER-RIGHT HAND
BOX00604	5	1	BOX;DIRECT VENT
COV03097	6	1	COVER; TOP DIRECT VENT - DOWNFLOW
VAL09031	7	1	VALVE; GAS, DIRECT VENT 2 STAGE, 1/2-14 NPT, 24V, 50/60 HZ, "J" SERIES
PIP00343	8	1	PIPE; COMPOUND
BNR01074	9	4	BURNER; ALUMINUM STL, .50 INSERT DIA, TOG-L-LOC
ORF01427	10	4	ORIFICE; SPUD, DRILL #45, BRASS
MFD00789	11	1	MANIFOLD, GAS
IGN00152	12	1	MIN=12/12 IGNITER; SILICON-NITRIDE, 120V, INCLUDES BRACKET AND SCREWS
BRK03336	13	1	BRACKET; SiNi IGNITOR BRACKET
COV03010	14	1	COVER; FRONT, D.V.
SEN01114	15	1	SENSOR; FLAME, NIKROTHAL 80 MATERIAL
SWT03313	16	1	SWITCH; SWITCH-FLAME ROLLOUT, 82 DEGREES C, 190 DEGREES F, NON-TRIP FREE, 5.8 FLA, 34.8 LRA AT 120 VAC, 24 VAC, MANUAL RESET, FIXED TEMPERATURE THERMOSTAT AND NON-ADJUSTABLE.
GLS00820	18	1	GLASS; SIGHT
ADP00446	19	2	ADAPTER; INLET, 3" DIA
GKT03082	20	2	GASKET; INLET, 4.0 X 4.0 NONWOVEN FIBERGLASS
CMP00380	21	2	CLAMP; FLUE STACK
CON00468	22	1	CONNECTOR; FLEX
PLT02217	23	1	PLATE; DEFLECTOR
DIF00178	24	1	DIFFUSER; AIR



Part No.	Reference No.	Quantity	Description
75000815_M952UP1_233716~P	*		BLOWER ASSEMBLY PARTS LIST



Part No.	Reference No.	Quantity	Description
BLW00714	1	1	BLOWER; REPLACEMENT BLOWER ASM
BRK00940	2	4	BRACKET;ARM, MOTOR, COMES WITH GROMMETS. 3.81 X 3.00.
BND00026	3	1	BAND; MOTOR MOUNT
HUS03093	5	1	HOUSING; BLOWER
MOD02293	6	1	MODULE; EON, ELECTRONIC MOTOR CONTROL, VARIABLE SPEED PROGRAMMED
MOT15143	6	1	MOTOR; VARIABLE SPEED, PROGRAMMED EON ASSEMBLY, 1/2 HP, DUAL VOLT, 1800 RPM
WHL00496	7	1	WHEEL; BLOWER, 10 INCH DIA X 8 INCH WIDTH, 1/2 INCH BORE, CONVEX, CW
SWT00770	8	1	SWITCH;REVERSE FLOW, OPEN @ 115 DEGREES F, CLOSE @ 105 DEGREES

MODEL NUMBER DESCRIPTION
AMERISTAR FURNACES

75010509

REV
A

M 9 5 2 V 0 6 0 B U 3 6 A A A
1 2 3 4 5 6 7 8 9 10 11 12 13 14 15

Digit 1 - Brand
M = Ameristar

Digit 2,3 - Model Family
95 = Condensing

Digit 4 - Heating Stages
2 = Two Stage

Digit 5 - Blower Type
V = Variable Speed

Digit 6,7,8 - BTU Input
060 = 60,000 BTU
080 = 80,000 BTU
100 = 100,000 BTU
120 = 120,000 BTU

Digit 9 - Cabinet Width
A = 14.5"
B = 17.5"
C = 21.0"
D = 24.5"

Digit 10 - Orientation
D = Downflow
U = Upflow

Digit 11,12 - Airflow
36 = 36,000
48 = 48,000
60 = 60,000

Digit 13 - Major Design Change
A = Service Digit

Digit 14 - Minor Design Change
A = Minor Design Change

Digit 15 - Service Digit Change
A = Service Digit

Part No.	Reference No.	Quantity	Description
75010509_M952UP1_123660~P	*		MODEL NUMBER DESCRIPTION PARTS LIST

MODEL NUMBER DESCRIPTION
AMERISTAR FURNACES

75010509

REV
A

M 9 5 2 V 0 6 0 B U 3 6 A A A
1 2 3 4 5 6 7 8 9 10 11 12 13 14 15

Digit 1 - Brand
M = Ameristar

Digit 2,3 - Model Family
95 = Condensing

Digit 4 - Heating Stages
2 = Two Stage

Digit 5 - Blower Type
V = Variable Speed

Digit 6,7,8 - BTU Input
060 = 60,000 BTU
080 = 80,000 BTU
100 = 100,000 BTU
120 = 120,000 BTU

Digit 9 - Cabinet Width
A = 14.5"
B = 17.5"
C = 21.0"
D = 24.5"

Digit 10 - Orientation
D = Downflow
U = Upflow

Digit 11,12 - Airflow
36 = 36,000
48 = 48,000
60 = 60,000

Digit 13 - Major Design Change
A = Service Digit

Digit 14 - Minor Design Change
A = Minor Design Change

Digit 15 - Service Digit Change
A = Service Digit

Parts List Number :M952UP1#M952UP1

Model Number :M952V080BD36ABA

Part No.	Reference No.	Quantity	Description
952_M952UP1_233723~P	*		ACCESSORIES PARTS LIST

NO GRAPHIC AVAILABLE

75013702

REV
A

**NO
GRAPHIC
AVAILABLE**

Part No.	Reference No.	Quantity	Description
BAS00828	*	1	BASE; SUB ASSEMBLY (BAYBASE205)
KIT06444	*	1	KIT; SIDE WALL VENT ASSEMBLY (BAYVENT200B)
KIT07613	*	1	KIT; PROPANE CONVERSION (INCLUDES 'G' VALVE INSTRUCTIONS, BAYLPKT210B)
KIT09199	*	1	KIT; LP KIT W/STAINLESS STEEL BURNERS ('G' VALVE INSTRUCTIONS INCLUDED) (BAYLPSS210B)
KIT13745	*	1	KIT; HIGH ALTITUDE PRESSURE SWITCH CONVERSION KIT (BAYSWT08AHALTA)
VNT00133	*	1	VENT; CONCENTRIC VENT KIT, (BAYAIR30AVENTAA)