

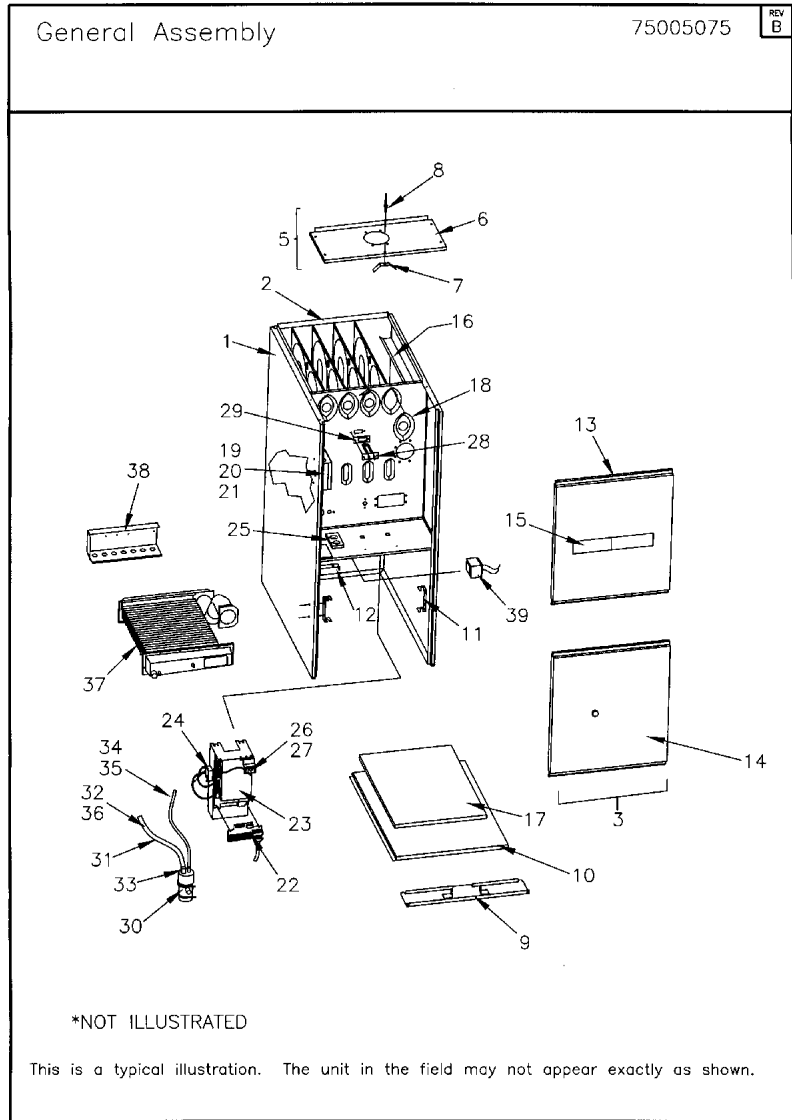
<b>Part No.</b>	<b>Reference No.</b>	<b>Quantity</b>	<b>Description</b>
952#M952UP1~S	*		ACCESSORIES
75000983#M952UP1~S	*		BLOWER ASSEMBLY
75000984#M952UP1~S	*		BURNER ASSEMBLY
75005075#M952UP1~S	*		GENERAL ASSEMBLY
75000982#M952UP1~S	*		INDUCED BLOWER AND FLUE ASSEMBLY
M952UP1_M952UP1_123648~P	*		M952UP1 PARTS LIST
75010509#M952UP1~S	*		MODEL NUMBER DESCRIPTION

NO GRAPHIC AVAILABLE

75013702

REV  
A

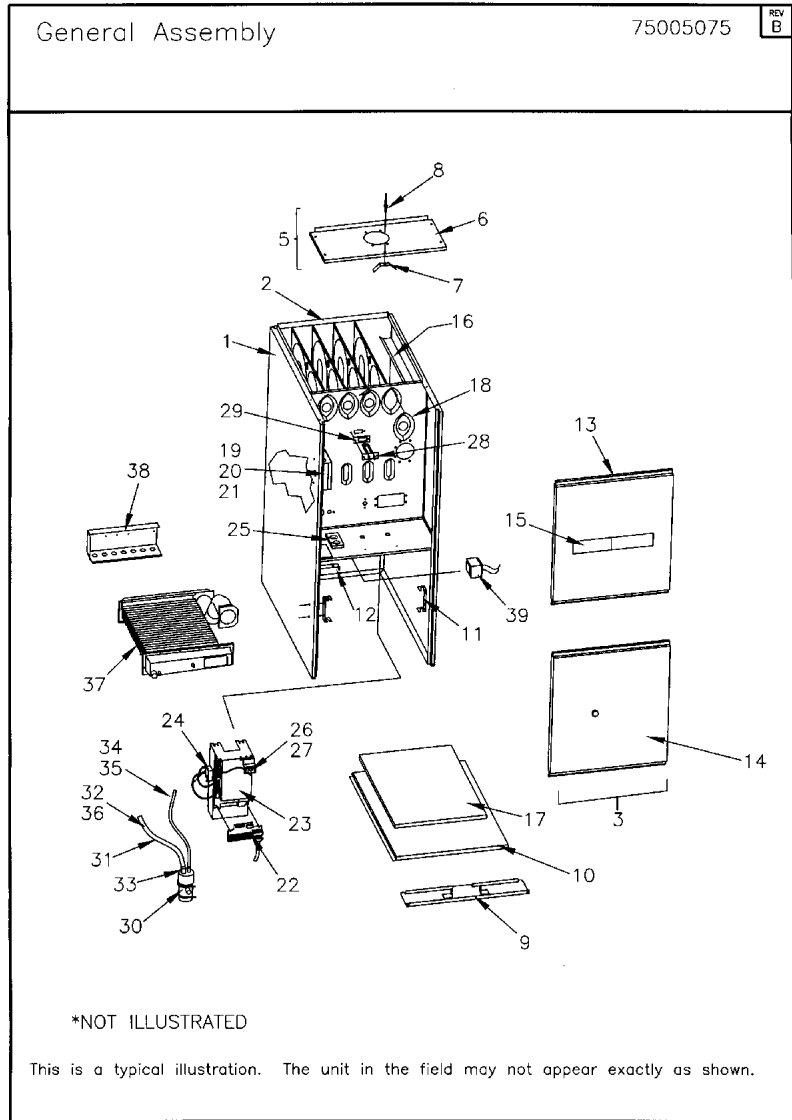
**NO  
GRAPHIC  
AVAILABLE**



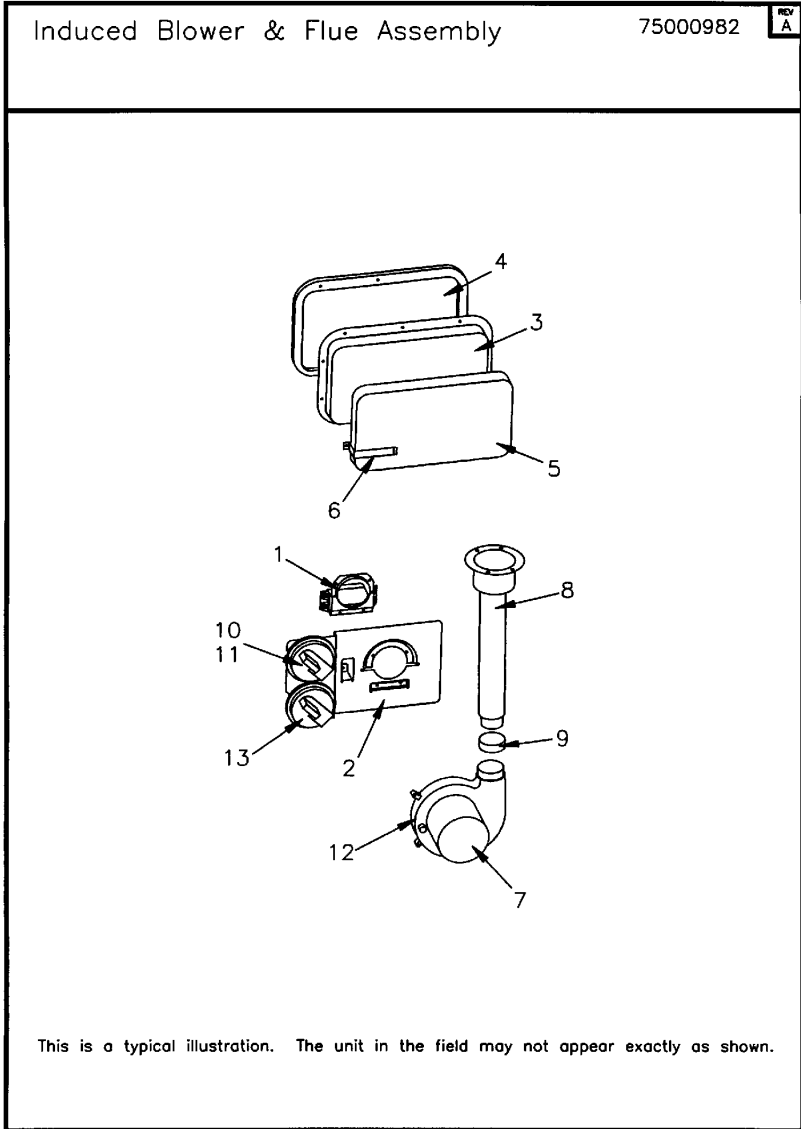
Parts List Number :M952UP1#M952UP1

Model Number :M952V060BU36ABA

Part No.	Reference No.	Quantity	Description
75005075_M952UP1_351347~P	*		GENERAL ASSEMBLY PARTS LIST



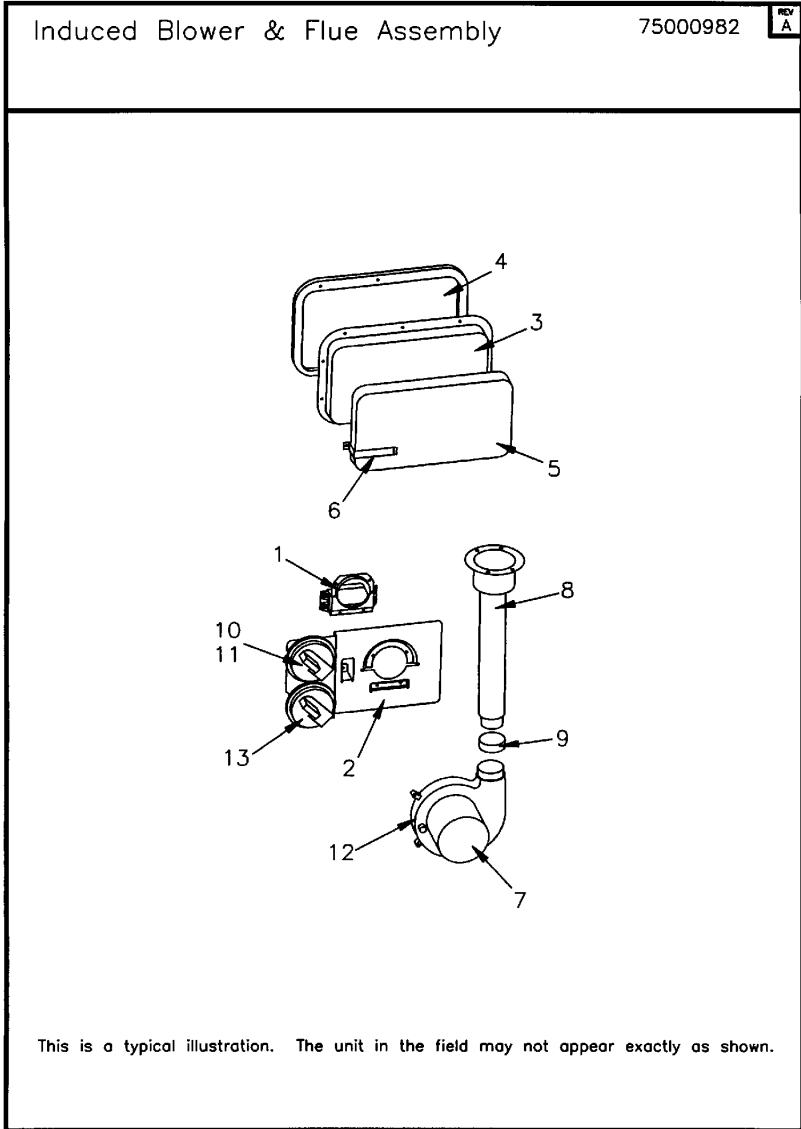
Part No.	Reference No.	Quantity	Description
CLP00884	*	1	CLIP; ACCESS PANEL
CON00371	*	2	CONNECTOR; 5 PIN MALE
FLR03829	*	1	FILTER; REPLACEMENT FILTER RACK ASSEMBLY
MNT02206	*	1	MOUNT; IFC CONTROL PLATFORM
PLU00538	*	2	PLUG; POLARIZED, 16 PIN
SUP04534	*	2	SUPPORT; SUPPORT, GALV. SHEET STEEL
TUB08058	*	1	TUBE-FEMALE TRANSFER
TUB12136	*	1	TUBE; DIRECT VENT HOSE ASSEMBLY. DIRECT VENT BOX TO GAS VALVE. ASSEMBLY INCLUDES: BLACK RUBBER TUBING AND BARBED TYPE ADAPTER, TEE00195.
TUB12310	*	1	TUBE;MALE TRANSFER
WIR01916	*	1	WIRE;HARNESS,VARIABLE SPEED POWER
WIR04108	*	1	WIRE; HARNESS, 16-PIN, V.S. MOTOR
EXC02044	2	1	EXCHANGER; HEAT EXCHANGER W / 3 COIL ASSEMBLY
DOR04347	3	1	DOOR; BLOWER, 16.50 W X 19.11 H, INCLUDES GLS00164 & (2) LAT00833
COV02144	5	1	COVER;TOP PANEL ASSEMBLY COMPLETE WITH SPG0309 AND RIV0071
COV03371	6	1	COVER; TOP, UNPAINTED, GALVANIZED
SPG00309	7	2	SPRING; DOOR RETAINER,INCLUDED IN COVER ASSEMBLY
RIV00071	8	1	RIVET; POP, QTY 100 PER BOX COMPLETE COVER ASSEMBLY WILL INCLUDE THIS
CNL01929	9	1	CHANNEL; BOTTOM
PNN03250	10	1	PANEL; BOTTOM
CLP00365	11	1	CLIP; FILTER
RTR00133	12	1	RETAINER, FILTER
DOR01190	13	1	DOOR; FURNACE, UNPAINTED, 16.63 W X 19.96 H
DOR04095	14	1	DOOR; BURNER, UPFLOW
BAF00856	16	2	BAFFLE;
FLR01486	17	1	FILTER; PERMANENT, 25 X 16.5 X 1IN.
IRT00020	18	3	INSERT; BURNER
BOX01499	19	1	BOX; JUNCTION BOX
COV03320	20	1	COVER; JUNCTION BOX COVER
BUS00300	21	2	BUSHING; STRAIN RELIEF
CNT06585	23	1	CONTROL; INTEGRATED FURNACE CONTROL, 2-STAGE, VARIABLE (IFC)
TRR01816	24	1	TRANSFORMER;
GRM00855	25	1	GROMMET; 1.75 WIDE X .18 THICK, MOLDED CHLOROPRENE, 80 DUROMETER
BRK01989	26	1	BRACKET; DOOR SWITCH
SWT01714	27	1	SWITCH; DOOR SPST, 21 AMP, 125/250VAC
SWT01635	28	1	SWITCH; THERMAL LIMIT OPEN 180F, CLOSE 150F
GKT03506	29	1	GASKET; LIMIT SWITCH
TRP00007	30	1	TRAP; CANNISTER
TUB11751	31	1	TUBE; CONDENSATE TUBE ASSEMBLY, COLD HEADER TO CANISTER TRAP. INCLUDES HOSE AND CLAMP.
TUB11758	32	1	TUBE; CONDENSATE TUBE ASSEMBLY, TRAP TO FURNACE CABINET (FIELD CONNECTION). INCLUDES HOSE, CLAMP, BARBED ADAPTER AND COUPLING
TUB11750	34	1	TUBE; CONDENSATE TUBE ASSEMBLY, INDUCER TO CANISTER TRAP. INCLUDES HOSE AND CLAMP.
COL09285	37	1	COIL; RECOUP ASSEMBLY
SUP02791	38	1	SUPPORT; HEAT EXCHANGER



Parts List Number :M952UP1#M952UP1

Model Number :M952V060BU36ABA

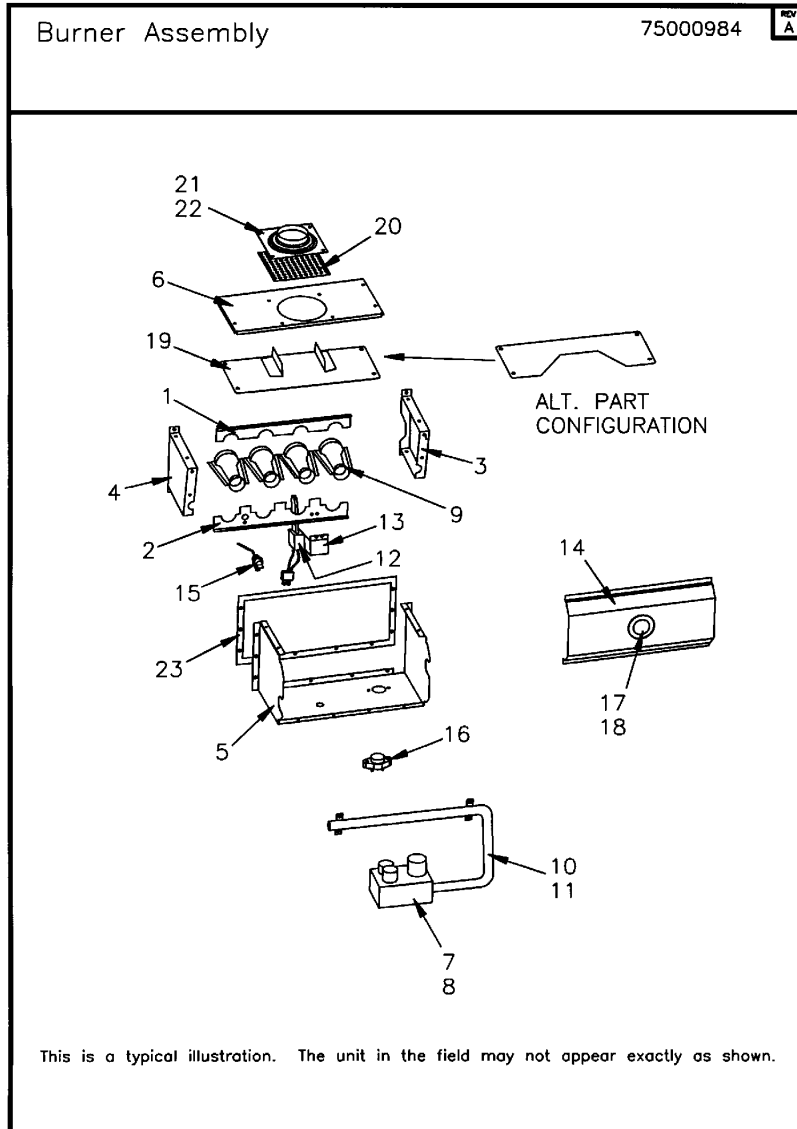
Part No.	Reference No.	Quantity	Description
75000982_M952UP1_326955~P	*		INDUCED BLOWER AND FLUE ASSEMBLY PARTS LIST



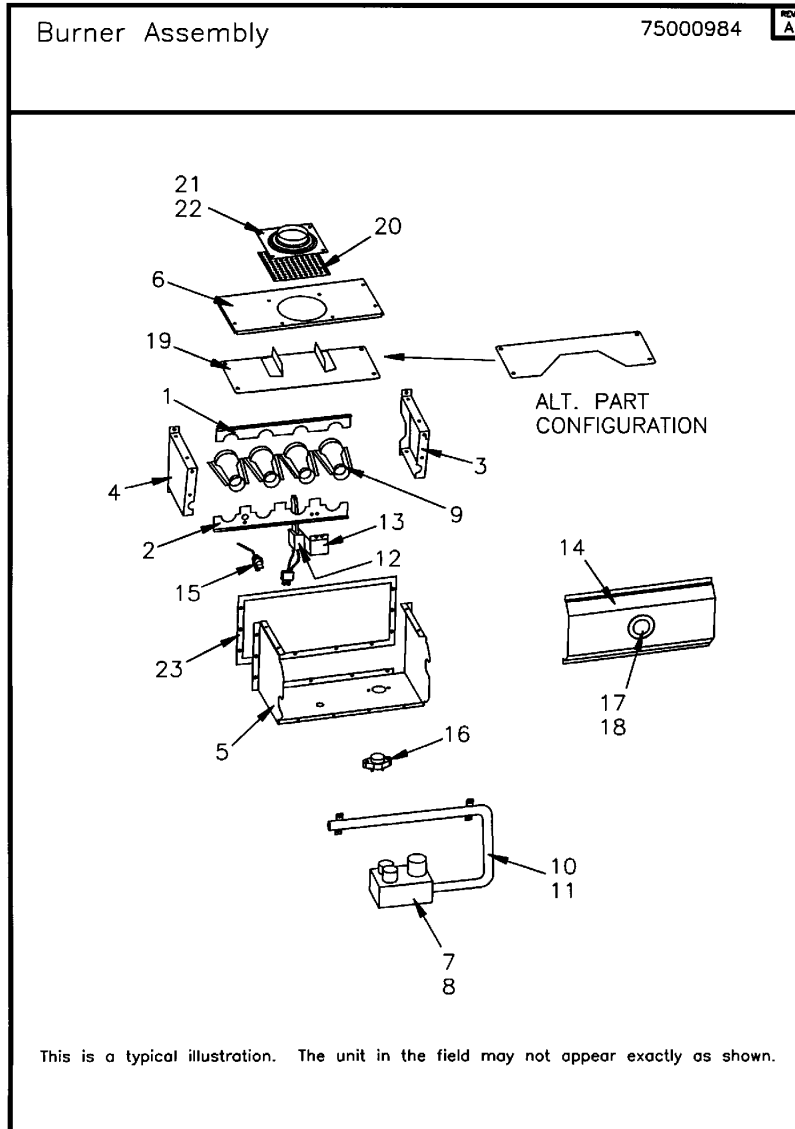
Parts List Number :M952UP1#M952UP1

Model Number :M952V060BU36ABA

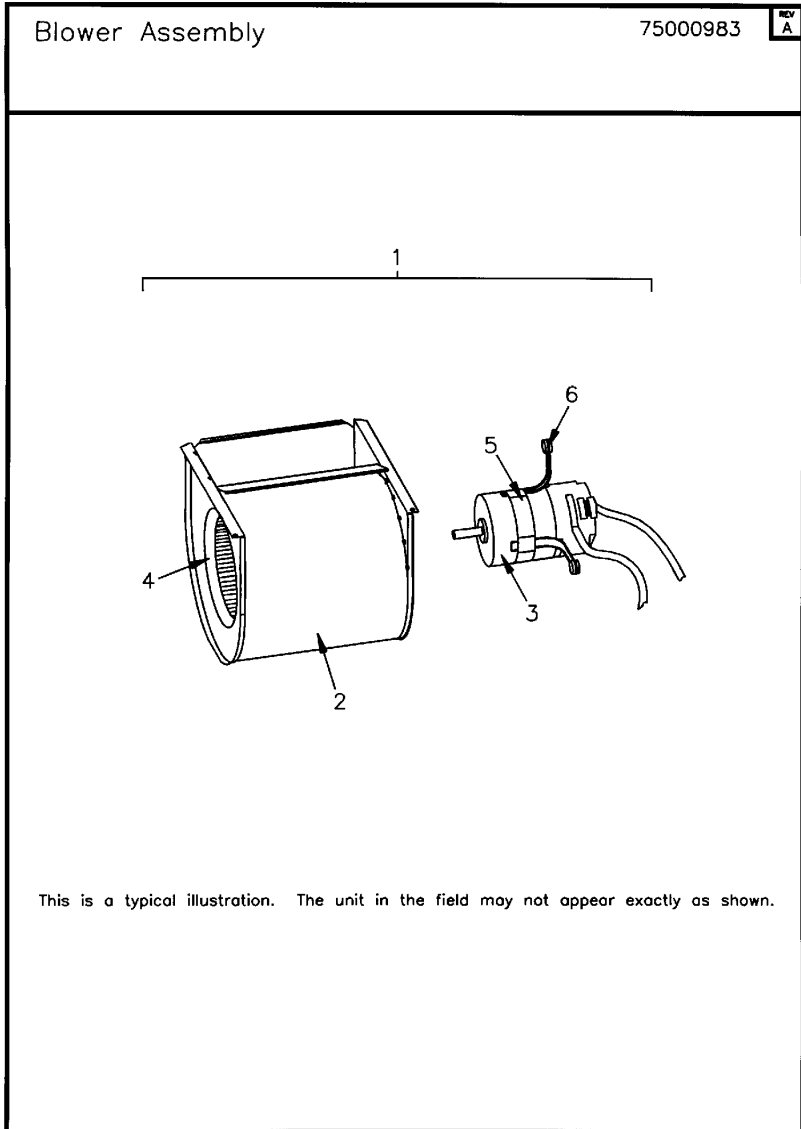
Part No.	Reference No.	Quantity	Description
CON00336	*	1	CONNECTOR; (BARB TUBE)
INS02381	*	1	INSULATION; SWITCH
SWT02685	*	1	SWITCH; LIMIT INDUCER, OPEN 155 DEG, CLOSE 95 DEG F
RCT00851	1	1	RECEPTACLE; TRANSITION INCLUDING FOUR MOUNTING SCREWS
MNT02266	2	1	MOUNT; INDUCER MOTOR MOUNTING PLATE, GALVANIZED STEEL
BOX00579	3	1	BOX; FLUE COLLECTOR
GKT02604	4	1	GASKET;COLLECTOR BOX
INS01972	5	1	INSULATION; COLLECTOR BOX
BLW00879	7	1	BLOWER; INDUCER, 3-PHASE
PIP00364	8	1	PIPE; FLUE, MOLDED
CMP01147	9	1	CLAMP; CONDENSATE FLUE STACK PIPE TO INDUCED BLOWER, 2.75 OD
SWT02982	10	1	SWITCH; DUAL PRESSURE, 28 VA PILOT DUTY 24 VAC, 125 VA PILOT DUTY 120 VAC. , 1/10 HP, 3 FLA, 18 LRA 24 VAC. HIGH SIDE OPEN AT 1.50 WC, CLOSE AT 1.79 WC. LOW SIDE OPEN AT 0.82 WC, CLOSE AT 1.02 WC
CAP00453	12	1	CAP; VINYL



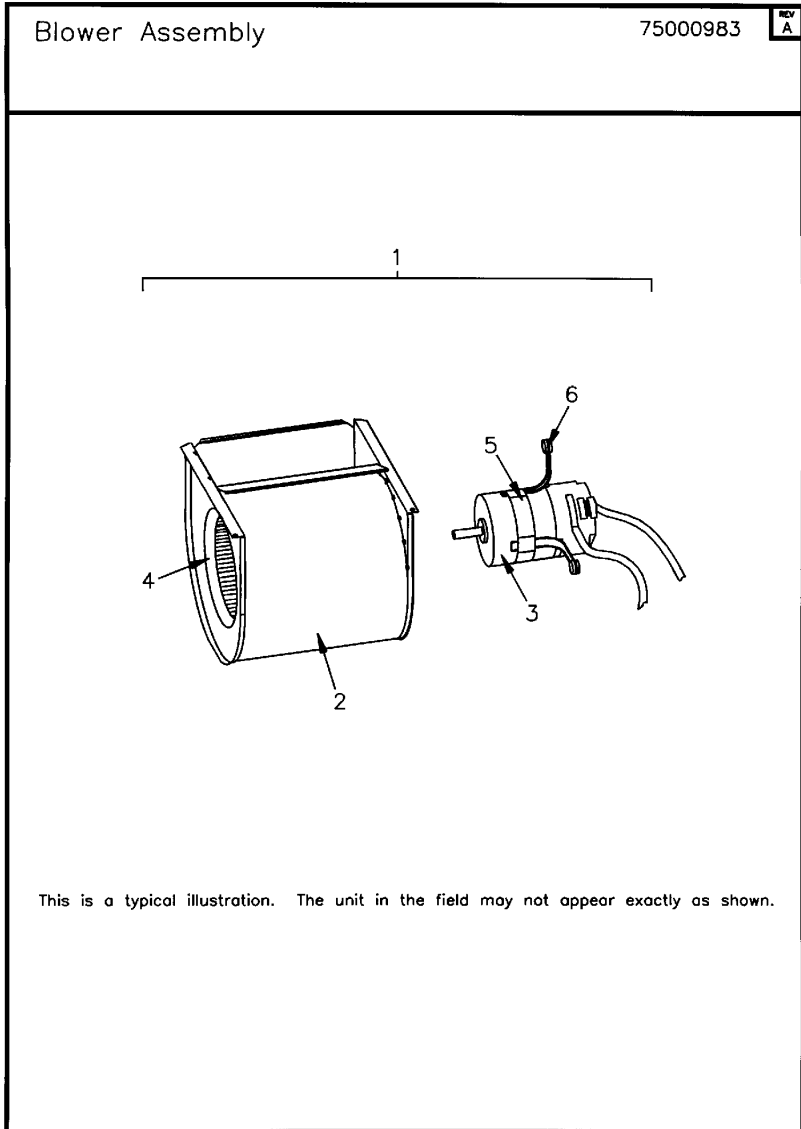
Part No.	Reference No.	Quantity	Description
75000984_M952UP1_326957~P	*		BURNER ASSEMBLY PARTS LIST



Part No.	Reference No.	Quantity	Description
COV03151	*	1	COVER; FRONT ASSEMBLY REPLACEMENT COVER W/SIGHT GLASS
BRK01961	1	1	BRACKET; TOP
BRK01528	2	1	BRACKET; BURNER
SUP02126	3	1	SUPPORT; BURNER-LEFT HAND
SUP02127	4	1	SUPPORT; BURNER-RIGHT HAND
BOX01403	5	1	BOX; DIRECT VENT
COV02560	6	1	COVER; TOP, DIRECT VENT
VAL09031	7	1	VALVE; GAS, DIRECT VENT 2 STAGE, 1/2-14 NPT, 24V, 50/60 HZ, "J" SERIES
PIP00343	8	1	PIPE; COMPOUND
BNR01074	9	3	BURNER; ALUMINUM STL, .50 INSERT DIA, TOG-L-LOC
ORF01427	10	3	ORIFICE; SPUD, DRILL #45, BRASS
MFD00735	11	1	MANIFOLD, GAS
IGN00152	12	1	MIN=12/12 IGNITER; SILICON-NITRIDE, 120V, INCLUDES BRACKET AND SCREWS
BRK03336	13	1	BRACKET; SiNi IGNITOR BRACKET
COV03010	14	1	COVER; FRONT, D.V.
SEN01114	15	1	SENSOR; FLAME, NIKROTHAL 80 MATERIAL
SWT02124	16	1	SWITCH; SWITCH-FLAME ROLLOUT, 82 DEGREES C, 180 DEGREES F, NON-TRIP FREE, 5.8 FLA, 34.8 LRA AT 120 VAC, 24 VAC, MANUAL RESET, FIXED TEMPERATURE THERMOSTAT AND NON-ADJUSTABLE.
GLS00820	18	1	GLASS; SIGHT
PLT02218	19	1	PLATE; DEFLECTOR
GKT03082	21	1	GASKET; INLET, 4.0 X 4.0 NONWOVEN FIBERGLASS
ADP01052	22	1	ADAPTER; FLUE CONNECTOR WITH PERFORATED AIR DIFFUSER, 2 INCH DIAMETER, PLASTIC
GKT03085	23	1	GASKET; VENT BOX



Part No.	Reference No.	Quantity	Description
75000983_M952UP1_326956~P	*		BLOWER ASSEMBLY PARTS LIST



<b>Part No.</b>	<b>Reference No.</b>	<b>Quantity</b>	<b>Description</b>
BLW00721	1	1	BLOWER; REPLACEMENT BLOWER ASM
HUS03093	2	1	HOUSING; BLOWER
MOD02290	3	1	MODULE; EON, ELECTRONIC MOTOR CONTROL, VARIABLE SPEED PROGRAMMED
MOT15140	3	1	MOTOR; VARIABLE SPEED, PROGRAMMED EON ASSEMBLY, 1/2 HP, DUAL VOLT, 1800 RPM
WHL00496	4	1	WHEEL; BLOWER, 10 INCH DIA X 8 INCH WIDTH, 1/2 INCH BORE, CONVEX, CW
BND00026	5	1	BAND; MOTOR MOUNT
BRK00940	6	4	BRACKET;ARM, MOTOR, COMES WITH GROMMETS. 3.81 X 3.00.

MODEL NUMBER DESCRIPTION  
AMERISTAR FURNACES

75010509

REV  
A

M 9 5 2 V 0 6 0 B U 3 6 A A A  
1 2 3 4 5 6 7 8 9 10 11 12 13 14 15

Digit 1 - Brand  
M = Ameristar

Digit 2,3 - Model Family  
95 = Condensing

Digit 4 - Heating Stages  
2 = Two Stage

Digit 5 - Blower Type  
V = Variable Speed

Digit 6,7,8 - BTU Input  
060 = 60,000 BTU  
080 = 80,000 BTU  
100 = 100,000 BTU  
120 = 120,000 BTU

Digit 9 - Cabinet Width  
A = 14.5"  
B = 17.5"  
C = 21.0"  
D = 24.5"

Digit 10 - Orientation  
D = Downflow  
U = Upflow

Digit 11,12 - Airflow  
36 = 36,000  
48 = 48,000  
60 = 60,000

Digit 13 - Major Design Change  
A = Service Digit

Digit 14 - Minor Design Change  
A = Minor Design Change

Digit 15 - Service Digit Change  
A = Service Digit

Part No.	Reference No.	Quantity	Description
75010509_M952UP1_123660~P	*		MODEL NUMBER DESCRIPTION PARTS LIST

MODEL NUMBER DESCRIPTION  
AMERISTAR FURNACES

75010509

REV  
A

M 9 5 2 V 0 6 0 B U 3 6 A A A  
1 2 3 4 5 6 7 8 9 10 11 12 13 14 15

Digit 1 - Brand  
M = Ameristar

Digit 2,3 - Model Family  
95 = Condensing

Digit 4 - Heating Stages  
2 = Two Stage

Digit 5 - Blower Type  
V = Variable Speed

Digit 6,7,8 - BTU Input  
060 = 60,000 BTU  
080 = 80,000 BTU  
100 = 100,000 BTU  
120 = 120,000 BTU

Digit 9 - Cabinet Width  
A = 14.5"  
B = 17.5"  
C = 21.0"  
D = 24.5"

Digit 10 - Orientation  
D = Downflow  
U = Upflow

Digit 11,12 - Airflow  
36 = 36,000  
48 = 48,000  
60 = 60,000

Digit 13 - Major Design Change  
A = Service Digit

Digit 14 - Minor Design Change  
A = Minor Design Change

Digit 15 - Service Digit Change  
A = Service Digit

ACCESSORIES

Parts List Number :M952UP1#M952UP1

Model Number :M952V060BU36ABA

Part No.	Reference No.	Quantity	Description
952_M952UP1_326960~P	*		ACCESSORIES PARTS LIST

NO GRAPHIC AVAILABLE

75013702

REV  
A

**NO  
GRAPHIC  
AVAILABLE**

Part No.	Reference No.	Quantity	Description
BAS00828	*	1	BASE; SUB ASSEMBLY (BAYBASE205)
FLR01603	*	1	FILTER; FRAMED FILTER KIT ASSY (BAYFLTR203) FOR REPLACEMENT FILTER ONLY USE FLR01611
FLR05570	*	1	FILTER; FRAME ASSEMBLY (BAYFLTR200)
KIT06444	*	1	KIT; SIDE WALL VENT ASSEMBLY (BAYVENT200B)
KIT07475	*	1	KIT; KIT, FILTER RACK (BAYRACK960A)
KIT07613	*	1	KIT; PROPANE CONVERSION (INCLUDES 'G' VALVE INSTRUCTIONS, BAYLPKT210B)
KIT09199	*	1	KIT; LP KIT W/STAINLESS STEEL BURNERS ('G' VALVE INSTRUCTIONS INCLUDED) (BAYLPSS210B)
KIT14951	*	1	KIT; HIGH ALTITUDE PRESSURE SWITCH CONVERSION KIT (BAYSWT10AHALTAA)
VNT00133	*	1	VENT; CONCENTRIC VENT KIT, (BAYAIR30AVENTAA)