

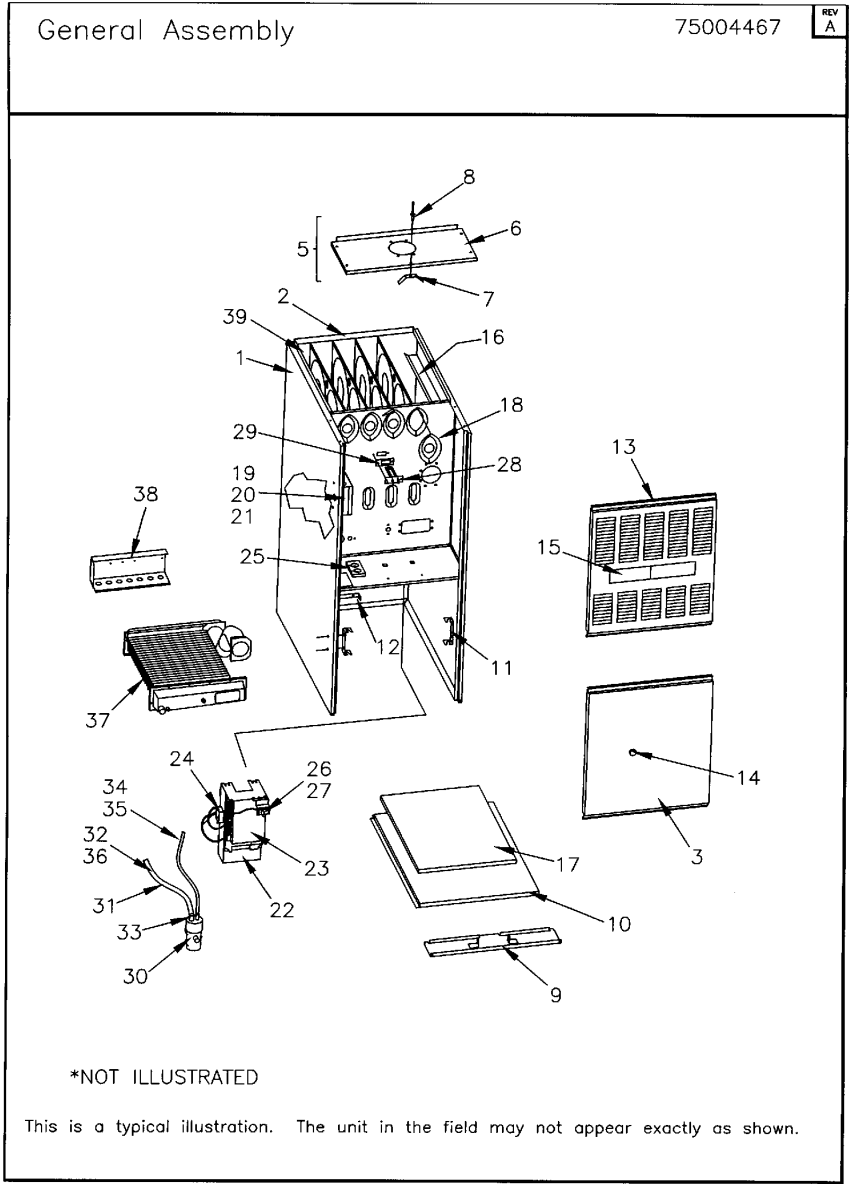
Part No.	Reference No.	Quantity	Description
158#M951UP2~S	*		ACCESSORIES
75000513#M951UP2~S	*		BLOWER ASSEMBLY
75000955#M951UP2~S	*		BURNER ASSEMBLY
75004467#M951UP2~S	*		GENERAL ASSEMBLY
75000987#M951UP2~S	*		INDUCED BLOWER AND FLUE ASSEMBLY
M951UP2_M951UP2_181267~P	*		M951UP2 PARTS LIST
75009819#M951UP2~S	*		MODEL NUMBER NOMENCLATURE

NO GRAPHIC AVAILABLE

75013702

REV
A

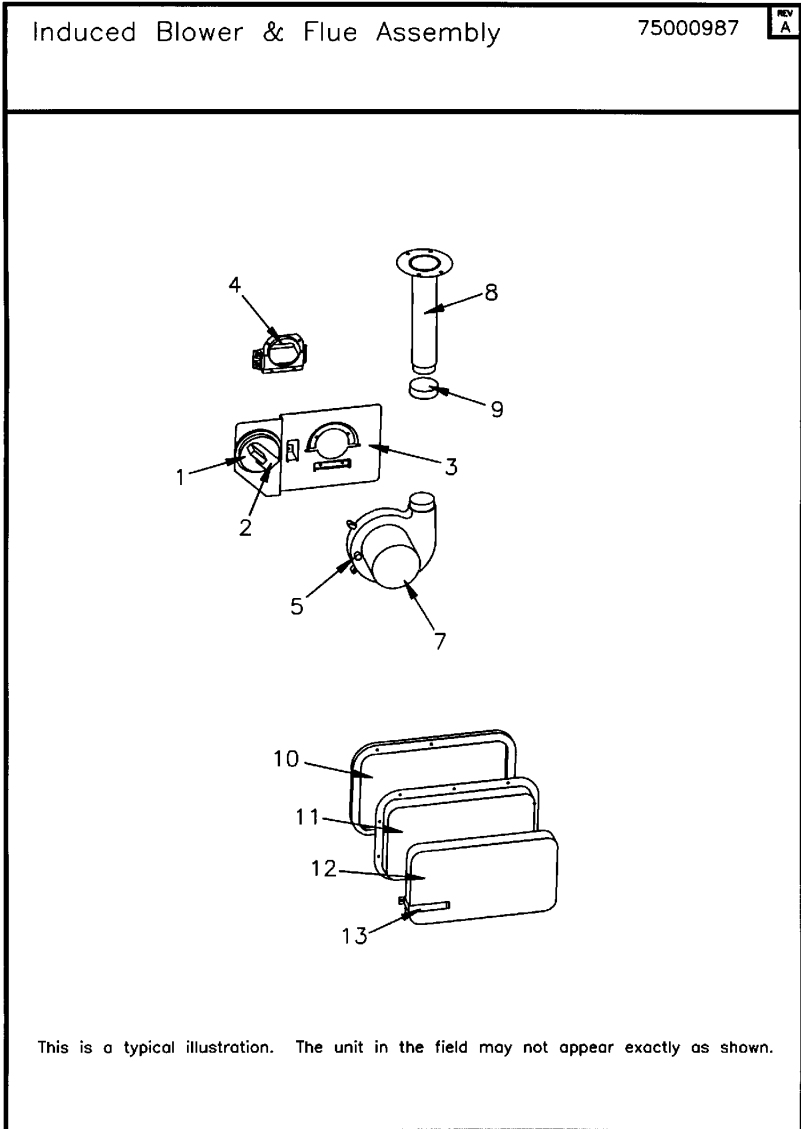
**NO
GRAPHIC
AVAILABLE**



Part No.	Reference No.	Quantity	Description
75004467_M951UP2_361806~P	*		GENERAL ASSEMBLY PARTS LIST



Part No.	Reference No.	Quantity	Description
BUS01429	*	1	BUSHING; SNAP, .83 O.D. X .63 I.D. X .25, BLACK, NYLON, .75 MOUNTING HOLE DIA.
CLP00195	*	2	CLIP; SPRING
CPL00938	*	1	COUPLING; REDUCING COUPLING ASSEMBLY - INCLUDES C341097P01 (CPL00838) AND A341677P01 (POLYPROPYLENE PAD). 2.00 TO 3.0 WHITE PVC COUPLING ADAPTER.
FLR03829	*	1	FILTER; REPLACEMENT FILTER RACK ASSEMBLY
GRM00217	*	1	GROMMET; BURNER BOX ENTRY SEAL
SHD00243	*	1	SHIELD; RADIATION
TUB08058	*	1	TUBE-FEMALE TRANSFER
WIR04584	*	1	WIRE; HARNESS ASSEMBLY, INCLUDING INDUCER/IGNITOR HARNESS W/4PIN MALE CONNECTOR AND CONTROL HARNESS W/12 PIN MALE CONNECTOR.
EXC02170	2	1	EXCHANGER; HEAT EXCHANGER WITH RCT00852
DOR04094	3	1	DOOR; BLOWER ASM UF
COV04446	5	1	COVER; TOP ASM
SPG00309	7	1	SPRING; DOOR RETAINER, INCLUDED IN COVER ASSEMBLY
CNL01931	9	1	CHANNEL; BOTTOM
PNN03252	10	1	PANEL; BOTTOM
DOR04097	13	1	DOOR; BURNER ASM UF
PLT04871	15	1	PLATE; NAME ASM
BAF00854	16	1	BAFFLE; HEAT EXCHANGER
IRT00020	18	6	INSERT; BURNER
BOX01499	19	1	BOX; JUNCTION BOX
COV03320	20	1	COVER; JUNCTION BOX COVER
BUS00300	21	1	BUSHING; STRAIN RELIEF
MNT02206	22	1	MOUNT; IFC CONTROL PLATFORM
CNT05164	23	1	CONTROL; INTEGRATED FURNACE, 1 STAGE, SINI
TRR01816	24	1	TRANSFORMER;
GRM00902	25	1	GROMMET; ENTRY SEAL 1.40 X 1.75 & .30 DIAMETER
BRK01989	26	1	BRACKET; DOOR SWITCH
SWT01714	27	1	SWITCH; DOOR SPST, 21 AMP, 125/250VAC
SWT01612	28	1	SWITCH; THERMAL LIMIT, OPEN AT 190, CLOSE AT 160 DEG F, 5.8 FLA @ 120V
TRP00007	30	1	TRAP; CANNISTER
TUB11753	31	1	TUBE; CONDENSATE TUBE ASSEMBLY, COLD HEADER TO CANISTER TRAP. INCLUDES HOSE AND CLAMP.
TUB11759	32	1	TUBE; CONDENSATE TUBE ASSY, TRAP TO FURNACE CABINET (FIELD CONNECTION). INCLUDES HOSE, CLAMP, BARBED ADAPTER, COUPLING, SMALL HOSE W/ BARBED CONNECTOR
TUB11750	35	1	TUBE; CONDENSATE TUBE ASSEMBLY, INDUCER TO CANISTER TRAP. INCLUDES HOSE AND CLAMP.
SUP02793	38	1	SUPPORT; HEAT EXCHANGER
BAF00854	39	1	BAFFLE; HEAT EXCHANGER



Parts List Number :M951UP2#M951UP2

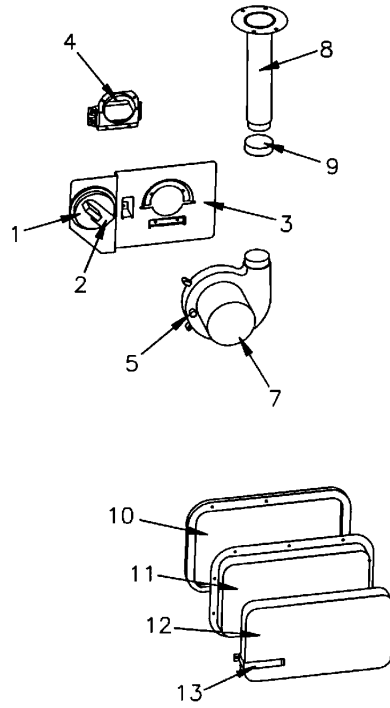
Model Number :M951P100DU60AAA

Part No.	Reference No.	Quantity	Description
75000987_M951UP2_181273~P	*		INDUCED BLOWER AND FLUE ASSEMBLY PARTS LIST

Induced Blower & Flue Assembly

75000987

REV
A

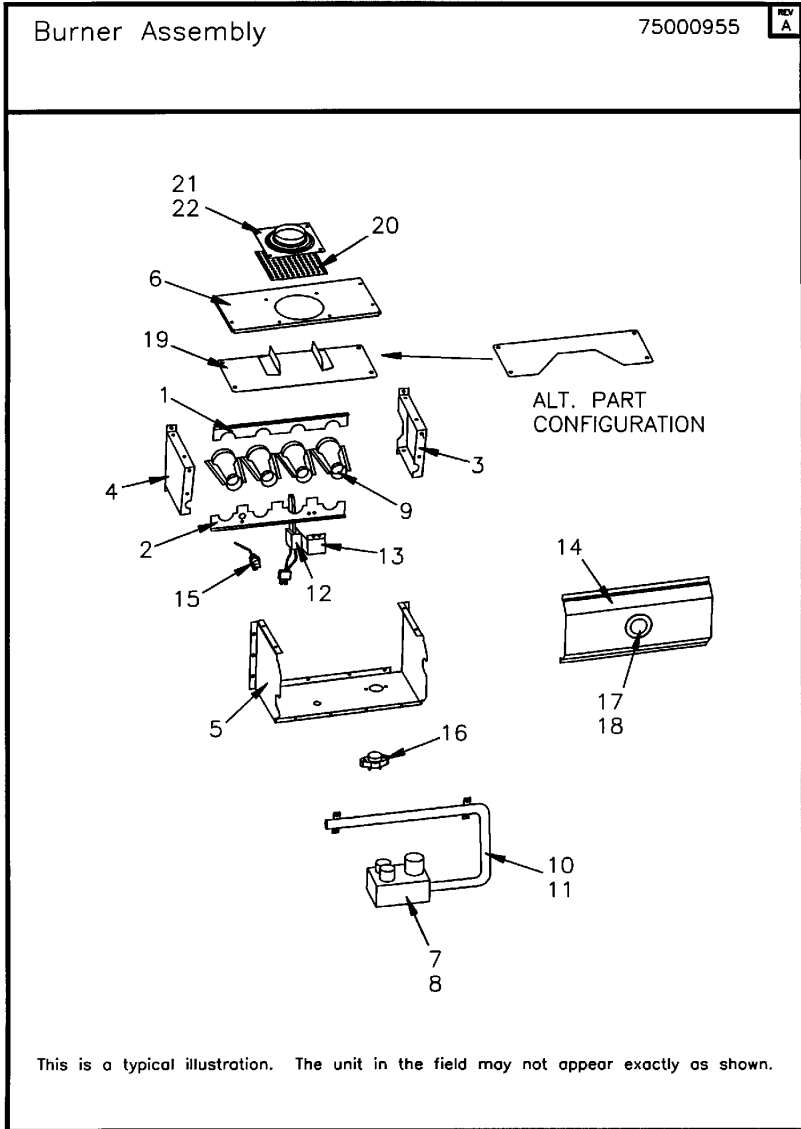


This is a typical illustration. The unit in the field may not appear exactly as shown.

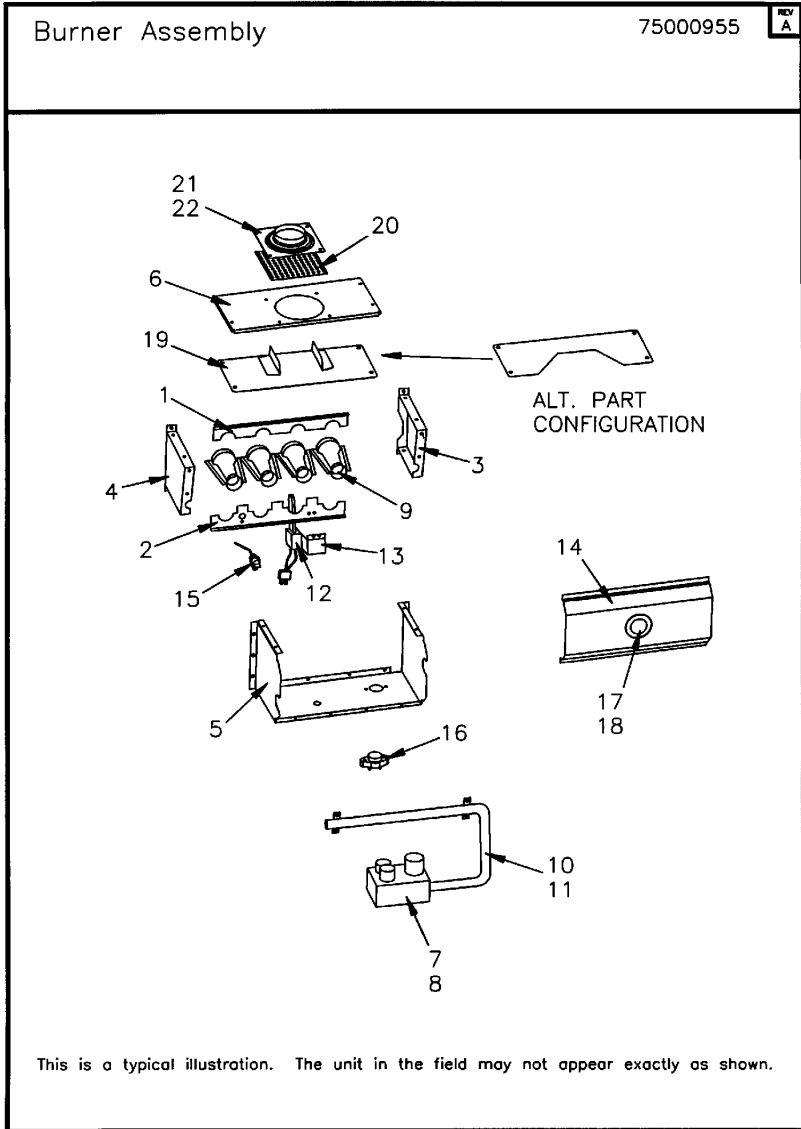
Parts List Number :M951UP2#M951UP2

Model Number :M951P100DU60AAA

Part No.	Reference No.	Quantity	Description
SWT02685	*	1	SWITCH; LIMIT INDUCER, OPEN 155 DEG, CLOSE 95 DEG F
TUB12136	*	1	TUBE; DIRECT VENT HOSE ASSEMBLY. DIRECT VENT BOX TO GAS VALVE. ASSEMBLY INCLUDES: BLACK RUBBER TUBING AND BARBED TYPE ADAPTER, TEE00195.
SWT03324	1	1	SWITCH, PRESSURE, OPEN AT -1.44 WC, CLOSE AT -1.66 WC
MNT02266	3	1	MOUNT; INDUCER MOTOR MOUNTING PLATE, GALVANIZED STEEL
RCT00851	4	1	RECEPTACLE; TRANSITION INCLUDING FOUR MOUNTING SCREWS
CAP00453	5	1	CAP; VINYL
BLW01139	7	1	BLOWER; INDUCER DRAFT, 1-STAGE, BALL BEARING
PIP00364	8	1	PIPE; FLUE, MOLDED
CMP00381	9	1	CLAMP; FLUE STACK PIPE TO INDUCED BLOWER
GKT02606	10	1	GASKET;COLLECTOR BOX
BOX00581	11	1	BOX; FLUE COLLECTOR
INS01974	12	1	INSULATION; COLLECTOR BOX



Part No.	Reference No.	Quantity	Description
75000955_M951UP2_361805~P	*		BURNER ASSEMBLY PARTS LIST

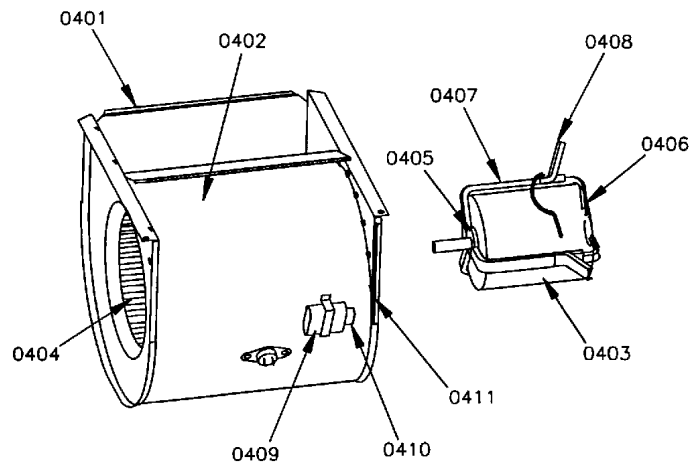


Part No.	Reference No.	Quantity	Description
GKT03087	*	1	GASKET; VENT BOX
BRK01962	1	1	BRACKET; TOP
BRK01529	2	1	BRACKET; BURNER
SUP02127	3	1	SUPPORT; BURNER-RIGHT HAND
SUP02126	4	1	SUPPORT; BURNER-LEFT HAND
BOX01405	5	1	BOX; DIRECT VENT
COV02563	6	1	COVER; TOP, DIRECT VENT
VAL09028	7	1	VALVE; GAS, FAST OPENING 1/2-14 NPT, 24V, 50/60 HZ, "J" SERIES
PIP00343	8	1	PIPE; COMPOUND
BNR01074	9	5	BURNER; ALUMINUM STL, .50 INSERT DIA, TOG-L-LOC
ORF01427	10	5	ORIFICE; SPUD, DRILL #45, BRASS
MFD00737	11	1	MANIFOLD; GAS
IGN00145	12	1	IGNITER; SILICON-NITRIDE, 80V, INCLUDES BRACKET, SCREWS AND INSTALL GUIDE
BRK03336	13	1	BRACKET; SiNi IGNITOR BRACKET
COV03012	14	1	COVER; FRONT, D.V.
SEN01114	15	1	SENSOR; FLAME, NIKROTHAL 80 MATERIAL
SWT02124	16	1	SWITCH; SWITCH-FLAME ROLLOUT, 82 DEGREES C, 180 DEGREES F, NON-TRIP FREE, 5.8 FLA, 34.8 LRA AT 120 VAC, 24 VAC, MANUAL RESET, FIXED TEMPERATURE THERMOSTAT AND NON-ADJUSTABLE.
GLS00820	18	1	GLASS; SIGHT
PLT02777	19	1	PLATE; DEFLECTOR
GKT03082	21	1	GASKET; INLET, 4.0 X 4.0 NONWOVEN FIBERGLASS
ADP01053	22	1	ADAPTER; FLUE CONNECTOR WITH PERFORATED AIR DIFFUSER, 3 INCH DIAMETER, PLASTIC

Blower Assembly

75000513

REV
A



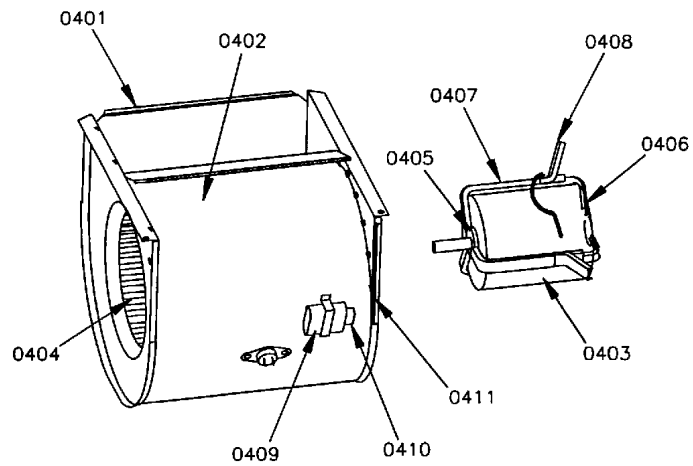
This is a typical illustration. The unit in the field may not appear exactly as shown.

Part No.	Reference No.	Quantity	Description
75000513_M951UP2_181269~P	*		BLOWER ASSEMBLY PARTS LIST

Blower Assembly

75000513

REV
A



This is a typical illustration. The unit in the field may not appear exactly as shown.

Part No.	Reference No.	Quantity	Description
BLW01129	0401	1	BLOWER;COMPLETE ASSEMBLY
HUS04039	0402	1	HOUSING; ASM, FAN
MOT11994	0403	1	MOTOR; 3/4 HP, 115/60/1, 1100 RPM, TYPE PSC, 48 FRAME, CCW, SLEEVE BEARING, 15 MFD @ 370V, INCLUDES RESILIENT RINGS
WHL02915	0404	1	WHEEL; BLOWER, 11.7 IN DIA X 10.6 IN WIDE, 0.50 IN BORE, CW ROTATION
BRK00690	0406	1	BRACKET; ASSEMBLY, SHORT, 4.06 X 2.31, INCLUDES RING CUP
BRK00691	0407	1	BRACKET; ASSEMBLY, LONG, 5.00 X 2.39, INCLUDES RING CUP
SUP03399	0408	3	SUPPORT; HANGER
CPT00478	0409	1	CAPACITOR; RUN, 15 MFD, 370VAC, OVAL, W/O RESISTOR
SRP00841	0410	1	STRAP;

MODEL NOMENCLATURE
Montana Furnaces

75009819

REV
A

Model Number Example
M 9 5 1 P 0 4 0 B D 2 4 A A A
1 2 3 4 5 6 7 8 9 10 11 12 13 14 15

Digit 1 = Brand
M = Montana

Digit 2,3 = Model Family
80 = Non Condensing
90 or 95 = Condensing

Digit 4 = Gas Valve Stages
1 = Single Stage
2 = Two Stage
3 = Three Stage
M = Modulating

Digit 5 = Blower Type
P = PSC
X - X13
V - Variable Speed

Digit 6,7,8 = BTU Input Capacity
040 = 40,000 Btu/h
060 = 60,000 Btu/h
065 = 65,000 Btu/h
080 = 80,000 Btu/h
100 = 100,000 Btu/h
110 = 110,000 Btu/h
120 = 120,000 Btu/h
140 = 140,000 Btu/h

Digit 9 = Cabinet Width
A = 14.5' Cabinet Width
B = 17.5' Cabinet Width
C = 21.0' Cabinet Width
D = 24.5' Cabinet Width

Digit 10 = Orientation
D = Downflow
U = Upflow

Digit 11,12 = Airflow
24 = 24,000
36 = 36,000
42 = 42,000
45 = 45,000
48 = 48,000
60 = 60,000

Digit 13 = Major Design Change
A = Major Design Change

Digit 14 = Minor Design Sequence
A = First Design Sequence
B = Second Design Sequence
C = Third Design Sequence

Digit 15 = Service Digit
A = Service Digit

Part No.	Reference No.	Quantity	Description
75009819_M951UP2_181280~P	*		MODEL NUMBER NOMENCLATURE PARTS LIST

MODEL NOMENCLATURE

75009819

REV
A

Montana Furnaces

Model Number Example

M 9 5 1 P 0 4 0 B D 2 4 A A A
1 2 3 4 5 6 7 8 9 10 11 12 13 14 15

Digit 1 = Brand
 M = Montana

Digit 2,3 = Model Family
 80 = Non Condensing
 90 or 95 = Condensing

Digit 4 = Gas Valve Stages
 1 = Single Stage
 2 = Two Stage
 3 = Three Stage
 M = Modulating

Digit 5 = Blower Type
 P = PSC
 X - X13
 V - Variable Speed

Digit 6,7,8 = BTU Input Capacity
 040 = 40,000 Btu/h
 060 = 60,000 Btu/h
 065 = 65,000 Btu/h
 080 = 80,000 Btu/h
 100 = 100,000 Btu/h
 110 = 110,000 Btu/h
 120 = 120,000 Btu/h
 140 = 140,000 Btu/h

Digit 9 = Cabinet Width
 A = 14.5' Cabinet Width
 B = 17.5' Cabinet Width
 C = 21.0' Cabinet Width
 D = 24.5' Cabinet Width

Digit 10 = Orientation
 D = Downflow
 U = Upflow

Digit 11,12 = Airflow
 24 = 24,000
 36 = 36,000
 42 = 42,000
 45 = 45,000
 48 = 48,000
 60 = 60,000

Digit 13 = Major Design Change
 A = Major Design Change

Digit 14 = Minor Design Sequence
 A = First Design Sequence
 B = Second Design Sequence
 C = Third Design Sequence

Digit 15 = Service Digit
 A = Service Digit

Parts List Number :M951UP2#M951UP2

Model Number :M951P100DU60AAA

Part No.	Reference No.	Quantity	Description
158_M951UP2_181268~P	*		ACCESSORIES PARTS LIST

NO GRAPHIC AVAILABLE

75013702

REV
A

**NO
GRAPHIC
AVAILABLE**

Parts List Number :M951UP2#M951UP2

Model Number :M951P100DU60AAA

Part No.	Reference No.	Quantity	Description
FLR05570	*	1	FILTER; FRAME ASSEMBLY (BAYFLTR200)
FLR05586	*	1	FILTER; VARI-PLUS MINI-PLEAT, 20H X 24W X 12D, FIBERGLASS MEDIA, 60-65% EFFICIENT, VPL-6515