

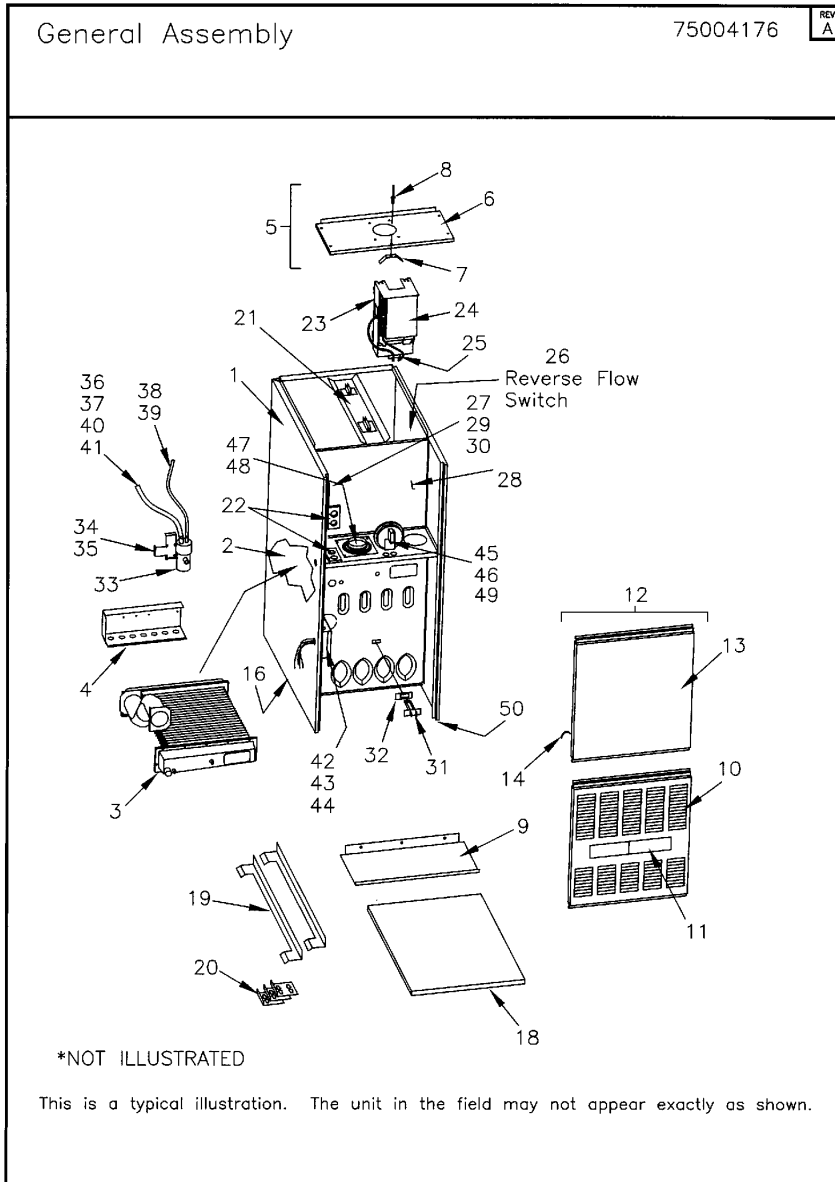
| Part No. | Reference No. | Quantity | Description |
|------------------------|----------------------|-----------------|----------------------------------|
| 75000660#M951UP1~S | * | | BLOWER ASSEMBLY |
| 75000977#M951UP1~S | * | | BURNER ASSEMBLY |
| 75004176#M951UP1~S | * | | GENERAL ASSEMBLY |
| 75000978#M951UP1~S | * | | INDUCED BLOWER AND FLUE ASSEMBLY |
| M9511_M951UP1_177853~P | * | | M951UP1 PARTS LIST |
| 75009819#M951UP1~S | * | | MODEL NUMBER NOMENCLATURE |

NO GRAPHIC AVAILABLE

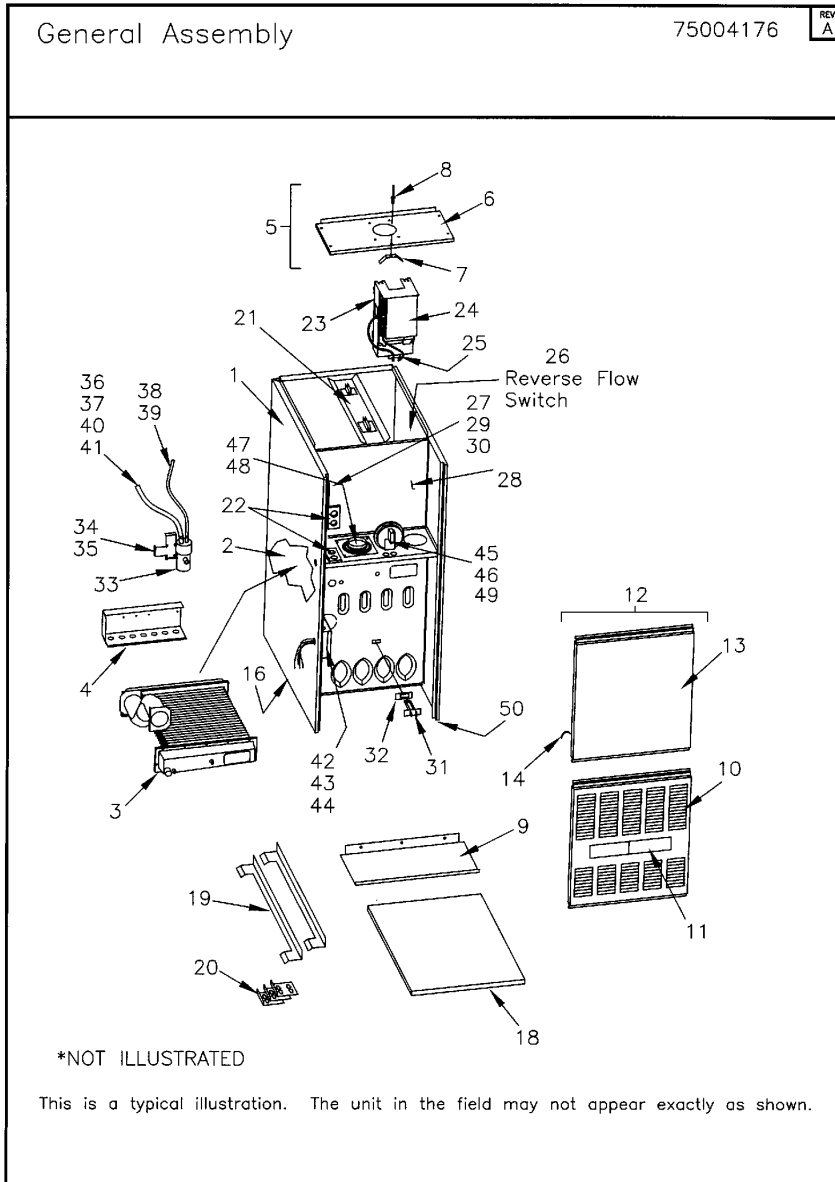
75013702

REV
A

**NO
GRAPHIC
AVAILABLE**

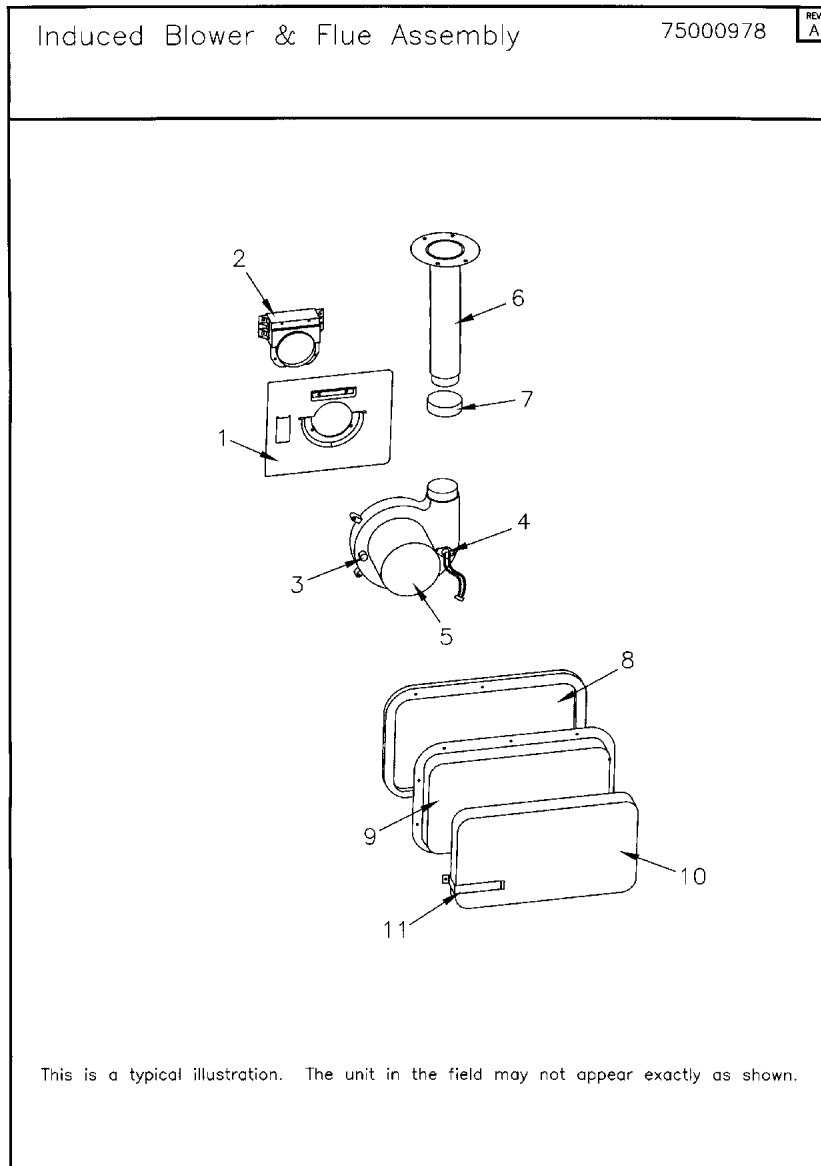


| Part No. | Reference No. | Quantity | Description |
|---------------------------|---------------|----------|-----------------------------|
| 75004176_M951UP1_329185~P | * | | GENERAL ASSEMBLY PARTS LIST |



| Part No. | Reference No. | Quantity | Description |
|----------|---------------|----------|---|
| CON00336 | * | 1 | CONNECTOR; (BARB TUBE) |
| CON00374 | * | 1 | CONNECTOR; 12 PIN MALE |
| CPL00938 | * | 1 | COUPLING; REDUCING COUPLING ASSEMBLY - INCLUDES C341097P01 (CPL00838) AND A341677P01 (POLYPROPYLENE PAD). 2.00 TO 3.0 WHITE PVC COUPLING ADAPTER. |
| GRM00217 | * | 1 | GROMMET; BURNER BOX ENTRY SEAL |
| TUB08057 | * | 1 | TUBE; MALE TRANSFER NOT FIELD REPLACEABLE, PART OF RECOUP CELL |
| TUB08186 | * | 1 | TUBE; FEMALE TRANSFER NOT FIELD REPLACEABLE, PART OF RECOUP COIL CELL |
| TUB11760 | * | 1 | TUBE; CONDENSATE TUBE ASSEMBLY, TRAP TO FURNACE CABINET (FIELD CONNECTION). INCLUDES HOSE, CLAMP, BARBED ADAPTER AND COUPLING. |
| WIR04586 | * | 1 | WIRE; HARNESS ASSEMBLY, INCLUDING INDUCER/IGNITOR HARNESS W/4PIN MALE CONNECTOR AND CONTROL HARNESS W/12 PIN MALE CONNECTOR. |
| EXC02041 | 2 | 1 | EXCHANGER; HEAT EXCHANGER WITH RCT00851 & 3 COIL ASSEMBLY |
| SUP02610 | 4 | 1 | SUPPORT; HEAT EXCHANGER |
| COV04442 | 5 | 1 | COVER; TOP PANEL ASM |
| COV03385 | 6 | 1 | COVER; TOP, UNPAINTED, GALVANIZED |
| SPG00309 | 7 | 1 | SPRING; DOOR RETAINER, INCLUDED IN COVER ASSEMBLY |
| RIV00071 | 8 | 1 | RIVET; POP, QTY 100 PER BOX COMPLETE COVER ASSEMBLY WILL INCLUDE THIS |
| PNL28825 | 9 | 1 | PANEL; BOTTOM |
| DOR04083 | 10 | 1 | DOOR; REPL BURNER ASM |
| PLT04871 | 11 | 1 | PLATE; NAME ASM |
| DOR04077 | 12 | 1 | DOOR; BLOWER ASM, INCLUDES THE CLIP |
| DOR04070 | 13 | 2 | DOOR; FURNACE/BLOWER |
| CLP00885 | 14 | 2 | CLIP; ACCESS PANEL |
| BAF00854 | 16 | 1 | BAFFLE; HEAT EXCHANGER |
| BRK01574 | 20 | 3 | BRACKET; CONNECTION, COIL ATTACHMENT, FOR AIR HANDLER CONNECT. |
| GRM00836 | 22 | 1 | GROMMET; WIRE, 2.55 LENGTH X 1.69 WIDTH X .32 THICK |
| MNT02206 | 23 | 1 | MOUNT; IFC CONTROL PLATFORM |
| CNT05995 | 24 | 1 | CONTROL; INTEGRATED FURNACE, 1 STAGE, SINI |
| TRR01816 | 25 | 1 | TRANSFORMER; |
| SWT01649 | 26 | 1 | SWITCH; REVERSE AIRFLOW, OPEN 105F, CLOSE 95F, 120/240V, 1/4QC TERM |
| BRK02173 | 27 | 1 | BRACKET; INNER BLOWER DOOR DISCONNECT SWITCH |
| BRK02826 | 27 | 1 | BRACKET; BLOWER DOOR SWITCH |
| SWT01714 | 27 | 1 | SWITCH; DOOR SPST, 21 AMP, 125/250VAC |
| DOR01239 | 28 | 1 | DOOR; INNER DOOR |
| SUP04110 | 30 | 2 | SUPPORT; INNER DOOR |
| SWT01614 | 31 | 1 | SWITCH; THERMAL LIMIT, OPEN AT 220, CLOSE AT 190 DEG F, 5.8 FLA @ 120V |
| GKT03506 | 32 | 1 | GASKET; LIMIT SWITCH |
| TRP00007 | 33 | 1 | TRAP; CANNISTER |
| TUB11757 | 36 | 1 | TUBE; CONDENSATE TUBE ASSEMBLY, COLD HEADER TO CANISTER TRAP. ASSEMBLY INCLUDES HOSE AND CLAMP. |
| TUB11755 | 39 | 1 | TUBE; CONDENSATE TUBE ASSEMBLY, INDUCER TO CANISTER TRAP. INCLUDES HOSE AND CLAMP. |
| BOX01499 | 42 | 1 | BOX; JUNCTION BOX |
| COV03320 | 43 | 1 | COVER; JUNCTION BOX COVER |
| BUS00300 | 44 | 1 | BUSHING; STRAIN RELIEF |
| SWT02973 | 45 | 1 | SWITCH; PRESSURE, 28 VA PILOT DUTY 24 VAC, 125 VA PILOT DUTY 120 VAC. , 1/10 HP, 3 FLA, 18 LRA 24 VAC. OPEN AT -1.33 WC, CLOSE AT -1.52 WC |
| GKT03082 | 47 | 1 | GASKET; INLET, 4.0 X 4.0 NONWOVEN FIBERGLASS |
| ADP00446 | 48 | 2 | ADAPTER; INLET, 3" DIA |
| TUB12137 | 49 | 1 | TUBE; DIRECT VENT HOSE ASSEMBLY. DIRECT VENT BOX TO GAS VALVE. ASSEMBLY INCLUDES: BLACK RUBBER TUBING AND BARBED TYPE ADAPTER, TEE00195. |

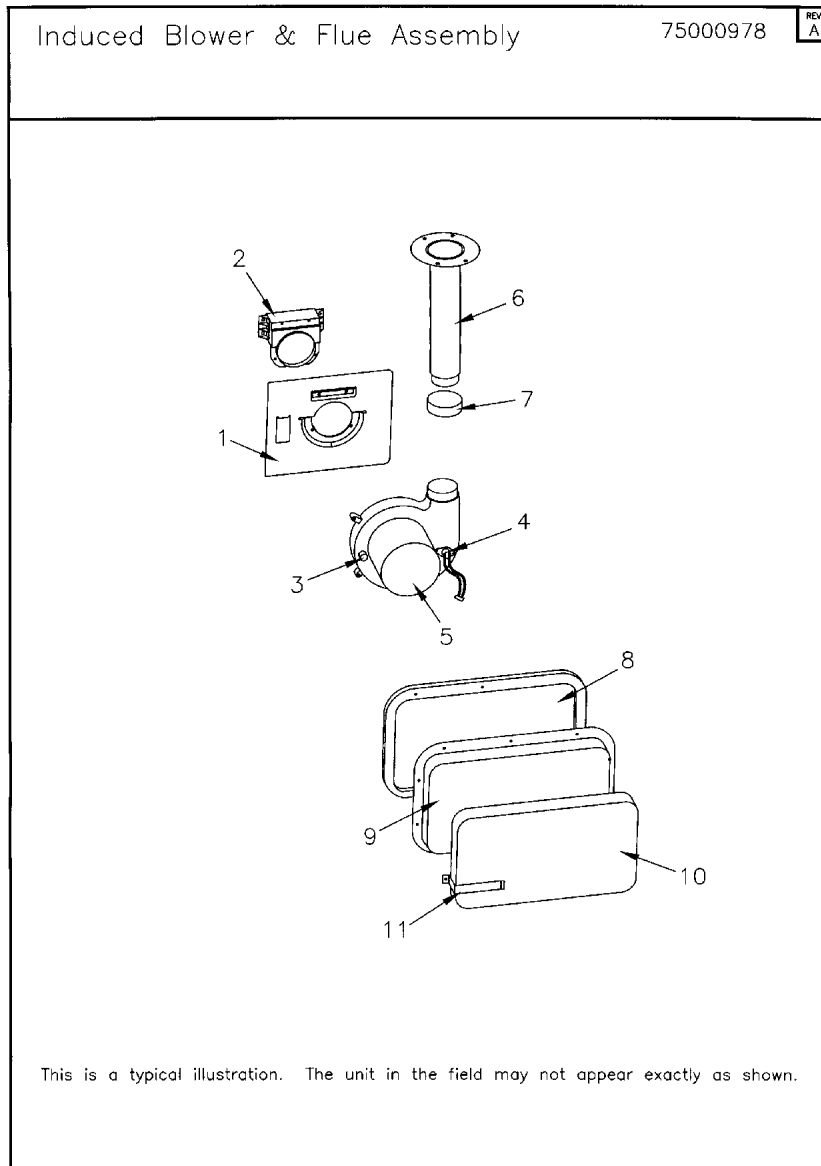
| Part No. | Reference No. | Quantity | Description |
|-----------------|----------------------|-----------------|------------------------|
| BAF00854 | 50 | 1 | BAFFLE; HEAT EXCHANGER |



Parts List Number :M9511#M951UP1

Model Number :M951P085CD48AAA

| Part No. | Reference No. | Quantity | Description |
|---------------------------|---------------|----------|---|
| 75000978_M951UP1_329184~P | * | | INDUCED BLOWER AND FLUE ASSEMBLY PARTS LIST |



Parts List Number :M9511#M951UP1

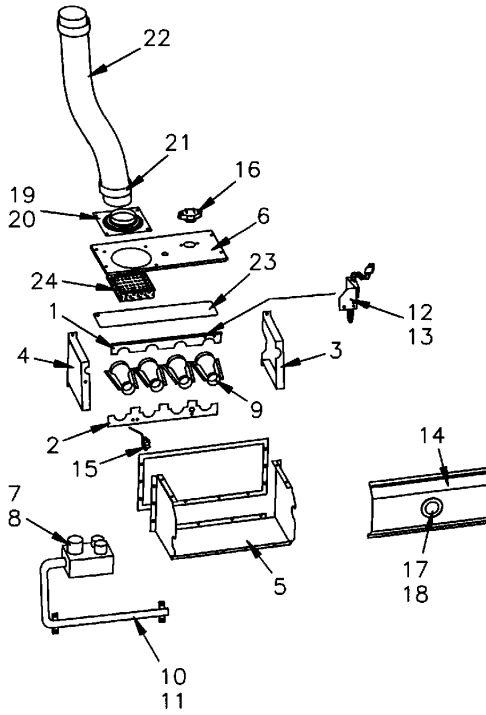
Model Number :M951P085CD48AAA

| Part No. | Reference No. | Quantity | Description |
|-----------------|----------------------|-----------------|---|
| MNT02266 | 1 | 1 | MOUNT; INDUCER MOTOR MOUNTING PLATE, GALVANIZED STEEL |
| RCT00851 | 2 | 1 | RECEPTACLE; TRANSITION INCLUDING FOUR MOUNTING SCREWS |
| CAP00453 | 3 | 1 | CAP; VINYL |
| SWT02686 | 4 | 1 | SWITCH; LIMIT INDUCER, OPEN 155, CLOSE 125 DEG F |
| BLW01139 | 5 | 1 | BLOWER; INDUCER DRAFT, 1-STAGE, BALL BEARING |
| PIP00365 | 6 | 1 | PIPE; FLUE, MOLDED |
| CMP00381 | 7 | 1 | CLAMP; FLUE STACK PIPE TO INDUCED BLOWER |
| GKT02605 | 8 | 1 | GASKET;COLLECTOR BOX |
| BOX00580 | 9 | 1 | BOX; FLUE COLLECTOR |
| INS01973 | 10 | 1 | INSULATION; COLLECTOR BOX |

Burner Assembly

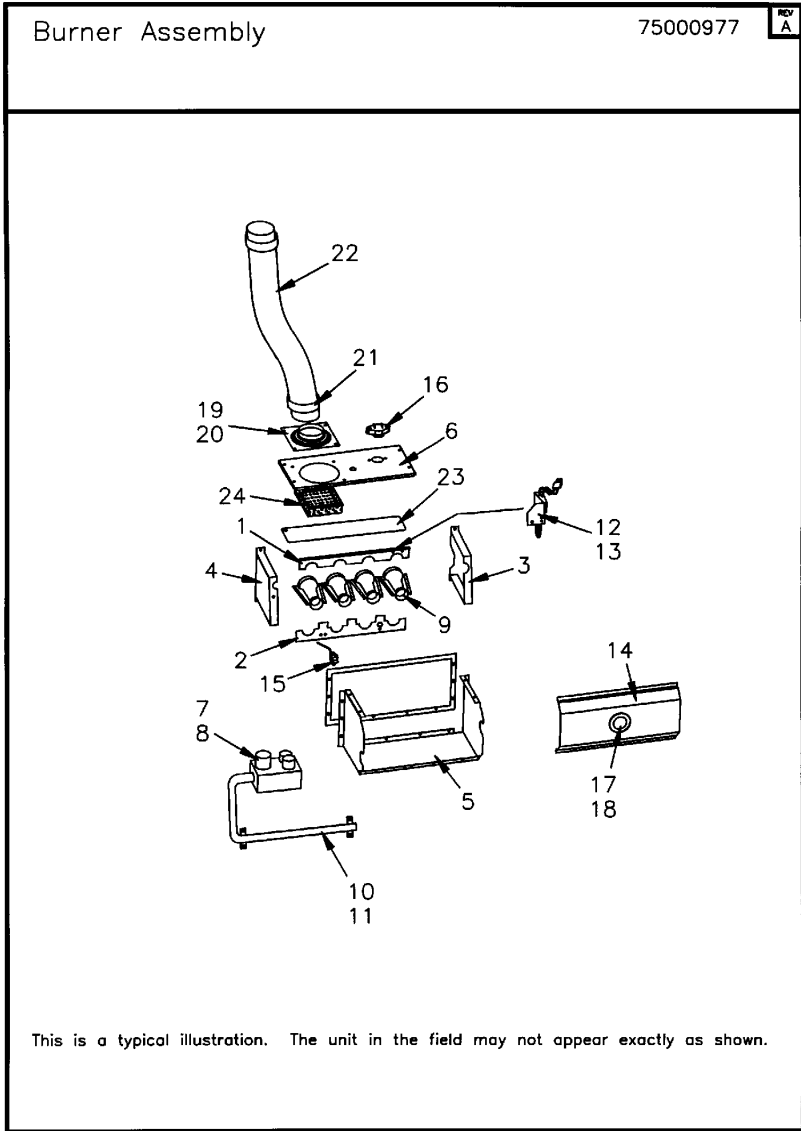
75000977

REV
A



This is a typical illustration. The unit in the field may not appear exactly as shown.

| Part No. | Reference No. | Quantity | Description |
|---------------------------|---------------|----------|----------------------------|
| 75000977_M951UP1_329183~P | * | | BURNER ASSEMBLY PARTS LIST |

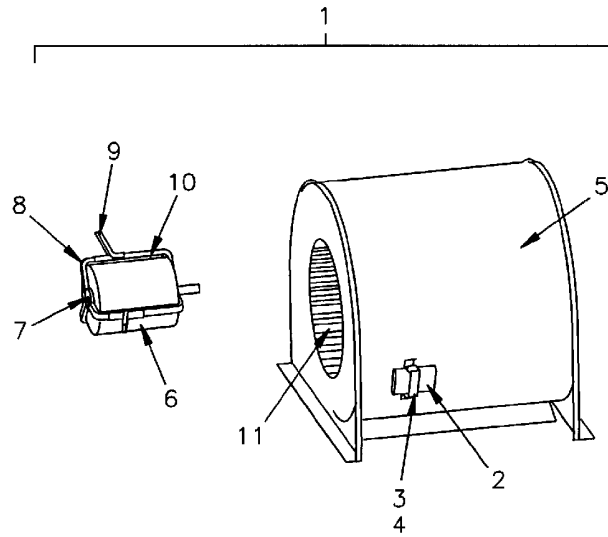


| Part No. | Reference No. | Quantity | Description |
|----------|---------------|----------|--|
| GKT03086 | * | 1 | GASKET; VENT BOX |
| BRK01962 | 1 | 1 | BRACKET; TOP |
| BRK01529 | 2 | 1 | BRACKET; BURNER |
| SUP02127 | 3 | 1 | SUPPORT; BURNER-RIGHT HAND |
| SUP02126 | 4 | 1 | SUPPORT; BURNER-LEFT HAND |
| BOX00605 | 5 | 1 | BOX;DIRECT VENT |
| COV03095 | 6 | 1 | COVER; TOP DIRECT VENT - DOWNFLOW |
| VAL09028 | 7 | 1 | VALVE; GAS, FAST OPENING 1/2-14 NPT, 24V, 50/60 HZ, "J" SERIES |
| BNR01074 | 9 | 5 | BURNER; ALUMINUM STL, .50 INSERT DIA, TOG-L-LOC |
| ORF01527 | 10 | 5 | ORIFICE; SPUD, DRILL #48, BRASS |
| MFD01224 | 11 | 1 | MANIFOLD; ASSEMBLY INCLUDES ORIFICE |
| IGN00145 | 12 | 1 | IGNITER; SILICON-NITRIDE, 80V, INCLUDES BRACKET, SCREWS AND INSTALL GUIDE |
| BRK03336 | 13 | 1 | BRACKET; SiNi IGNITOR BRACKET |
| COV04439 | 14 | 1 | COVER; FRONT ASM DV |
| SEN01114 | 15 | 1 | SENSOR; FLAME, NIKROTHAL 80 MATERIAL |
| SWT03313 | 16 | 1 | SWITCH; SWITCH-FLAME ROLLOUT, 82 DEGREES C, 190 DEGREES F, NON-TRIP FREE, 5.8 FLA, 34.8 LRA AT 120 VAC, 24 VAC, MANUAL RESET, FIXED TEMPERATURE THERMOSTAT AND NON-ADJUSTABLE. |
| GKT03082 | 19 | 2 | GASKET; INLET, 4.0 X 4.0 NONWOVEN FIBERGLASS |
| ADP00446 | 20 | 2 | ADAPTER; INLET, 3" DIA |
| ADP01053 | 20 | 1 | ADAPTER; FLUE CONNECTOR WITH PERFORATED AIR DIFFUSER, 3 INCH DIAMETER, PLASTIC |
| CMP00380 | 21 | 2 | CLAMP; FLUE STACK |
| CON00468 | 22 | 1 | CONNECTOR; FLEX |
| PLT02216 | 23 | 1 | PLATE; DEFLECTOR |
| DIF00178 | 24 | 1 | DIFFUSER; AIR |

Blower Assembly

75000660

REV
A



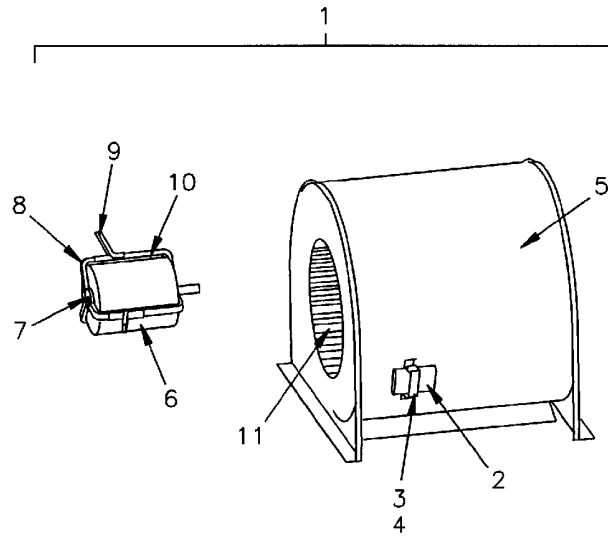
This is a typical illustration. The unit in the field may not appear exactly as shown.

| Part No. | Reference No. | Quantity | Description |
|---------------------------|---------------|----------|----------------------------|
| 75000660_M951UP1_329182~P | * | | BLOWER ASSEMBLY PARTS LIST |

Blower Assembly

75000660

REV
A



This is a typical illustration. The unit in the field may not appear exactly as shown.

| Part No. | Reference No. | Quantity | Description |
|----------|---------------|----------|---|
| BLW00629 | 1 | 1 | BLOWER; COMPLETE ASSY W/MOTOR |
| CPT00478 | 2 | 1 | CAPACITOR; RUN, 15 MFD, 370VAC, OVAL, W/O RESISTOR |
| SRP00841 | 3 | 1 | STRAP; |
| HUS01570 | 5 | 1 | HOUSING;BLOWER ASSEMBLY |
| MOT11992 | 6 | 1 | MOTOR; 1/2 HP, 115/60/1, 1075 RPM, TYPE PSC, 48 FRM, CCW, SLEEVE BRG, 15 MFD @ 370V, INCLUDES RESILIENT RINGS |
| BRK00690 | 8 | 2 | BRACKET; ASSEMBLY, SHORT, 4.06 X 2.31, INCLUDES RING CUP |
| SUP03399 | 9 | 3 | SUPPORT; HANGER |
| BRK00691 | 10 | 2 | BRACKET; ASSEMBLY, LONG, 5.00 X 2.39, INCLUDES RING CUP |
| WHL02915 | 11 | 1 | WHEEL; BLOWER, 11.7 IN DIA X 10.6 IN WIDE, 0.50 IN BORE, CW ROTATION |

MODEL NOMENCLATURE
Montana Furnaces

75009819

REV
A

Model Number Example
M 9 5 1 P 0 4 0 B D 2 4 A A A
1 2 3 4 5 6 7 8 9 10 11 12 13 14 15

Digit 1 = Brand
M = Montana

Digit 2,3 = Model Family
80 = Non Condensing
90 or 95 = Condensing

Digit 4 = Gas Valve Stages
1 = Single Stage
2 = Two Stage
3 = Three Stage
M = Modulating

Digit 5 = Blower Type
P = PSC
X - X13
V - Variable Speed

Digit 6,7,8 = BTU Input Capacity
040 = 40,000 Btu/h
060 = 60,000 Btu/h
065 = 65,000 Btu/h
080 = 80,000 Btu/h
100 = 100,000 Btu/h
110 = 110,000 Btu/h
120 = 120,000 Btu/h
140 = 140,000 Btu/h

Digit 9 = Cabinet Width
A = 14.5' Cabinet Width
B = 17.5' Cabinet Width
C = 21.0' Cabinet Width
D = 24.5' Cabinet Width

Digit 10 = Orientation
D = Downflow
U = Upflow

Digit 11,12 = Airflow
24 = 24,000
36 = 36,000
42 = 42,000
45 = 45,000
48 = 48,000
60 = 60,000

Digit 13 = Major Design Change
A = Major Design Change

Digit 14 = Minor Design Sequence
A = First Design Sequence
B = Second Design Sequence
C = Third Design Sequence

Digit 15 = Service Digit
A = Service Digit

| Part No. | Reference No. | Quantity | Description |
|---------------------------|---------------|----------|--------------------------------------|
| 75009819_M951UP1_177859~P | * | | MODEL NUMBER NOMENCLATURE PARTS LIST |

| | | | | |
|---|--|--|-----|---|
| <p>MODEL NOMENCLATURE</p> <p>Montana Furnaces</p> | <p>75009819</p> | <table border="1" style="margin: auto; border-collapse: collapse;"> <tr> <td style="padding: 2px;">REV</td> </tr> <tr> <td style="padding: 2px;">A</td> </tr> </table> | REV | A |
| REV | | | | |
| A | | | | |
| <p>Model Number Example</p> <p>M 9 5 1 P 0 4 0 B D 2 4 A A A</p> <p>1 2 3 4 5 6 7 8 9 10 11 12 13 14 15</p> | | | | |
| <p>Digit 1 = Brand M = Montana</p> | <p>Digit 9 = Cabinet Width A = 14.5' Cabinet Width B = 17.5' Cabinet Width C = 21.0' Cabinet Width D = 24.5' Cabinet Width</p> | | | |
| <p>Digit 2,3 = Model Family 80 = Non Condensing 90 or 95 = Condensing</p> | <p>Digit 10 = Orientation D = Downflow U = Upflow</p> | | | |
| <p>Digit 4 = Gas Valve Stages 1 = Single Stage 2 = Two Stage 3 = Three Stage M = Modulating</p> | <p>Digit 11,12 = Airflow 24 = 24,000 36 = 36,000 42 = 42,000 45 = 45,000 48 = 48,000 60 = 60,000</p> | | | |
| <p>Digit 5 = Blower Type P = PSC X - X13 V - Variable Speed</p> | <p>Digit 13 = Major Design Change A = Major Design Change</p> | | | |
| <p>Digit 6,7,8 = BTU Input Capacity 040 = 40,000 Btu/h 060 = 60,000 Btu/h 065 = 65,000 Btu/h 080 = 80,000 Btu/h 100 = 100,000 Btu/h 110 = 110,000 Btu/h 120 = 120,000 Btu/h 140 = 140,000 Btu/h</p> | <p>Digit 14 = Minor Design Sequence A = First Design Sequence B = Second Design Sequence C = Third Design Sequence</p> | | | |
| | <p>Digit 15 = Service Digit A = Service Digit</p> | | | |

Parts List Number :M9511#M951UP1

Model Number :M951P085CD48AAA